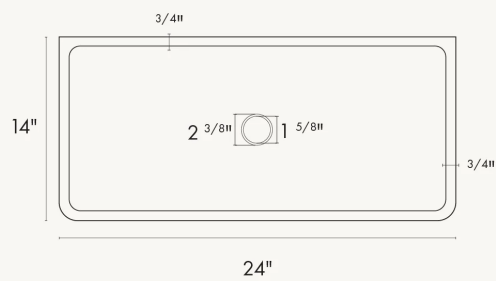
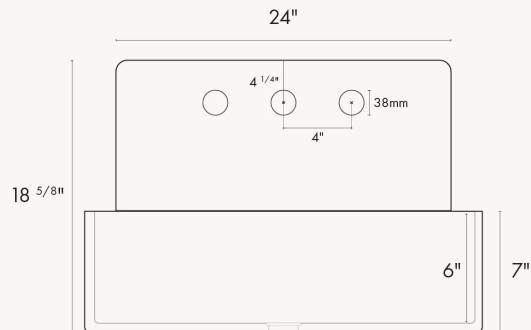


SAN FRANCISCO

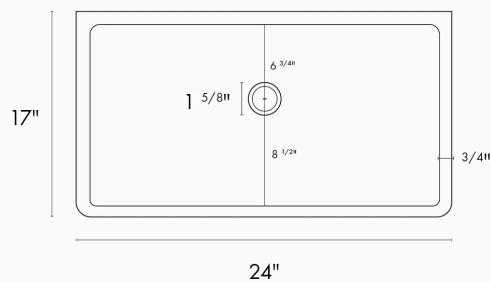
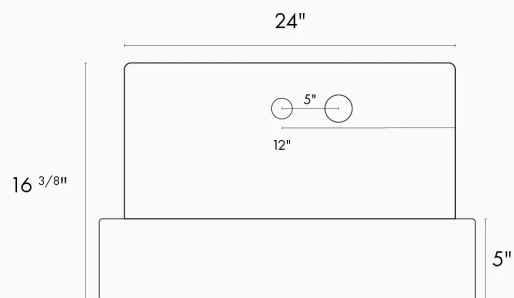
3 HOLES



CONCRETTI

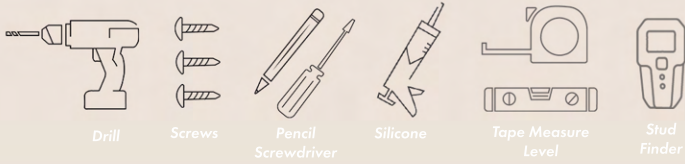
*ALL MEASUREMENTS ARE ± 1/2"

SAN FRANCISCO ADA



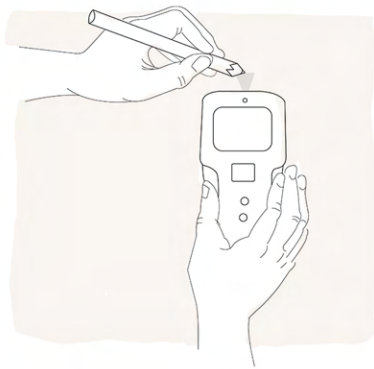
CONCRETTI

INSTALLATION GUIDE



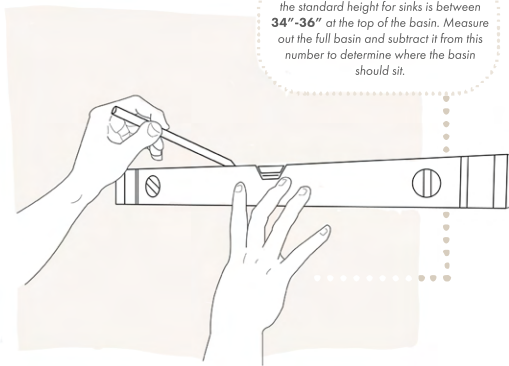
Make sure your wall is suitable for wall mounting! You may need to reinforce your wall before installing your new sink. Please consult a professional to make sure your rough in is up to code, as installing a wall mounted sink requires plumbing knowledge. All measurements are approximate. We recommend waiting to receive all items prior to installation.

WARNING: do not use tape on sink's surface, this may cause damage to the sealant.



1

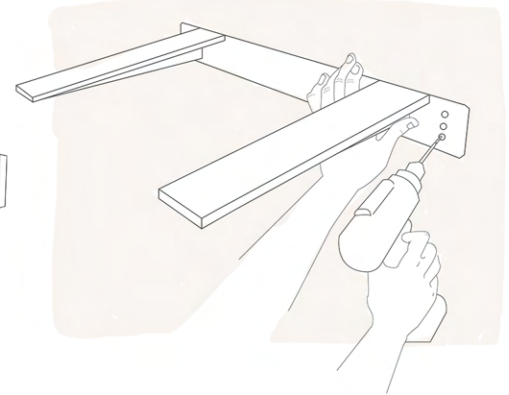
Use the stud finder to find a suitable fixing point for your brackets. Then measure where you want the bottom of the basin to go, as well as the center of the sink.



Tip: the standard height for sinks is between 34"-36" at the top of the basin. Measure out the full basin and subtract it from this number to determine where the basin should sit.

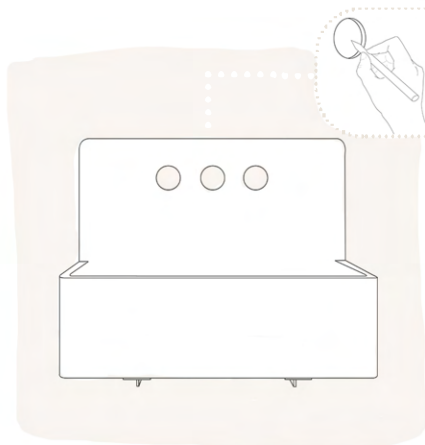
2

Remark the area where the bottom of your basin will go with a level and pencil. This will be your guide as to where the top of the bracket will sit.



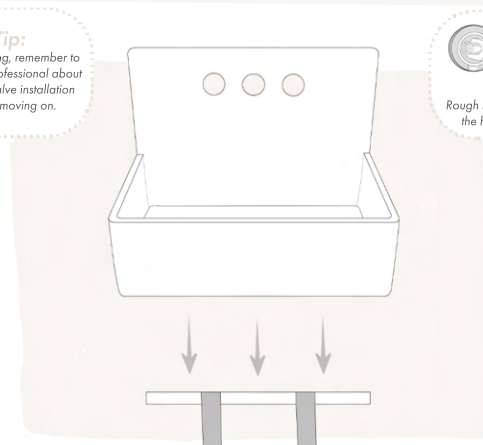
3

Hold the bracket up to the line and mark the holes with a pencil. Once you are sure the placement is correct, affix the bracket onto your wall with the correct bolts for your wall.



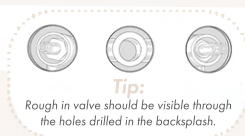
4

Place sink on bracket to accurately mark faucet holes with pencil. Do not glue down yet! After marking, remove sink and consult professional for rough in installation.



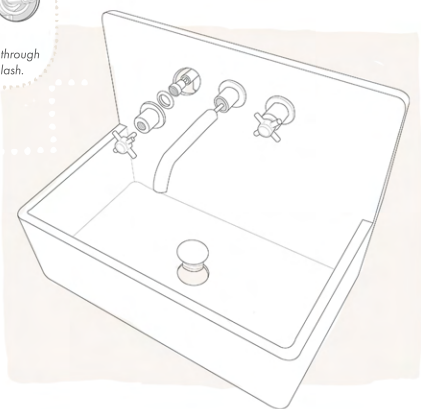
5

Once rough in valve installation is complete, apply a generous amount of 100% silicone to top of bracket. Place sink on top, making sure it is aligned with rough in valve for faucet. Remove any excess silicone with microfiber towel.



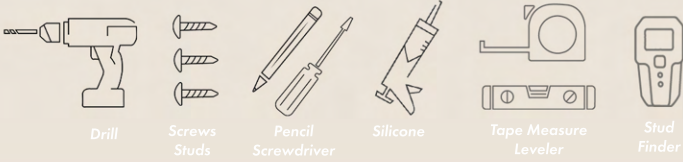
Tip: Rough in valve should be visible through the holes drilled in the backplash.

6



Once silicone is dried and sink is tightly secured to wall bracket, you may finish attaching faucet, drain, and bottle trap.

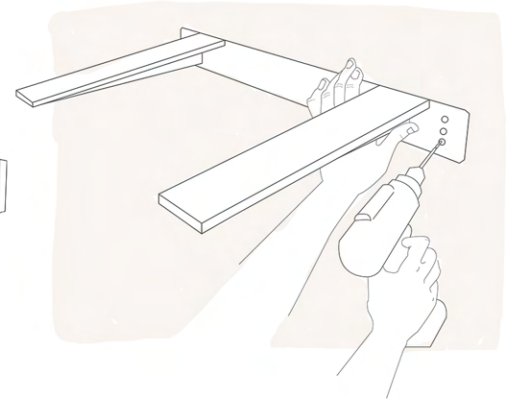
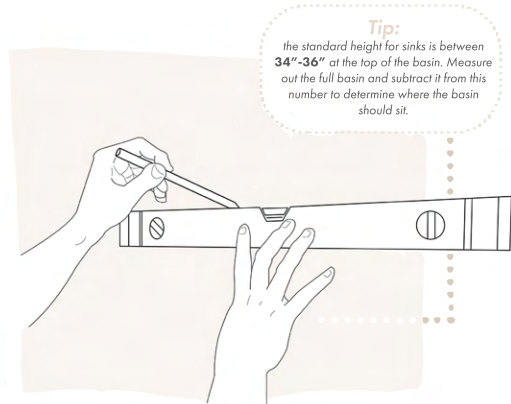
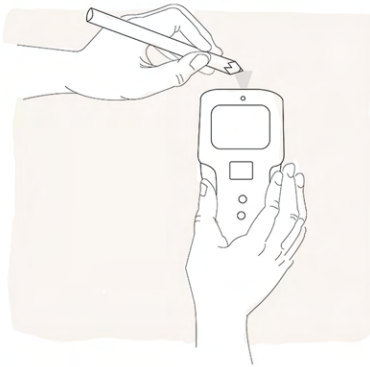
INSTALLATION GUIDE



Make sure your wall is suitable for wall mounting! You may need to reinforce your wall before installing your new sink. Please consult a professional to make sure your rough in is up to code, as installing a wall mounted sink requires plumbing knowledge. All measurements are approximate. We recommend waiting to receive all items prior to installation.



WARNING: do not use tape on sink's surface, this may cause damage to the sealant.



1

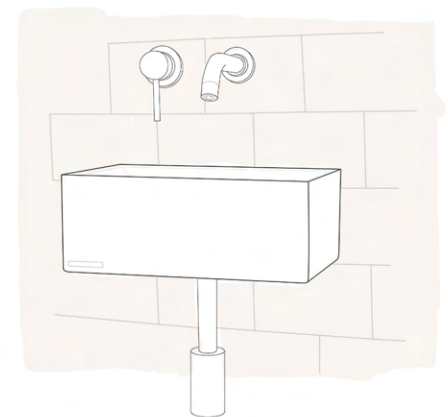
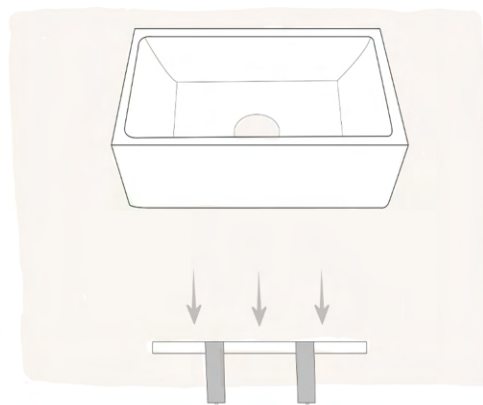
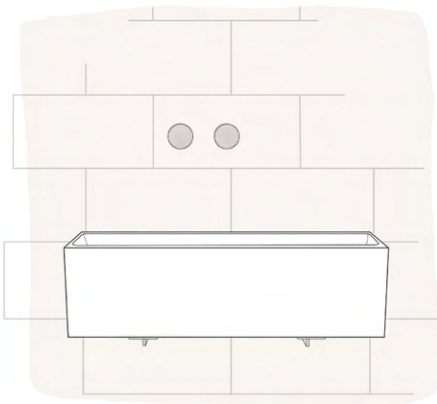
Use the studfinder to find a suitable fixing point for your brackets. Then measure where you want the bottom of the basin to go, as well as the center of the sink.

2

Remark the area where the bottom of your basin will go with a level and pencil. This will be your guide as to where the top of the bracket will sit.

3

Hold the bracket up to the line and mark the holes with a pencil. Once you are sure the placement is correct, affix the bracket onto your wall with the correct bolts for your wall.



4

Place sink on bracket to accurately mark the faucet centerline with a pencil, but do not glue down the sink yet. After marking, remove sink and consult a plumber for faucet installation.

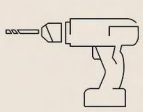
5

Once faucet installation is complete, apply a generous amount of 100% silicone to top of bracket. Place sink on top, making sure it is aligned with the faucet. Remove any excess silicone with microfiber towel.

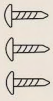
6

Once silicone is dried and sink is tightly secured to wall bracket, you may finish attaching the drain, and bottle trap.

INSTALLATION GUIDE



Drill



Screws
Studs



Pencil
Screwdriver



Silicone



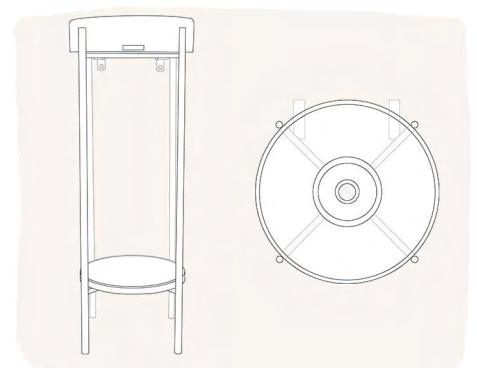
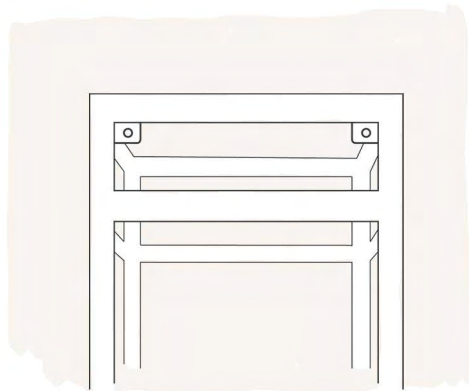
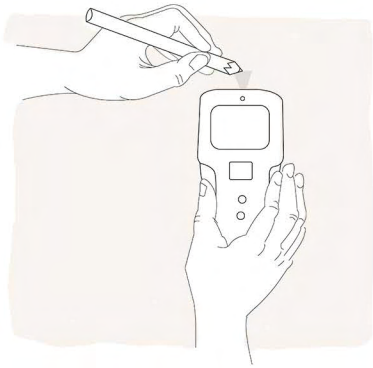
Tape Measure
Leveler



Stud
Finder



Make sure your wall is suitable for wall mounting! You may need to reinforce your wall before installing your new console. Consoles can be top heavy after the sink is installed.



1

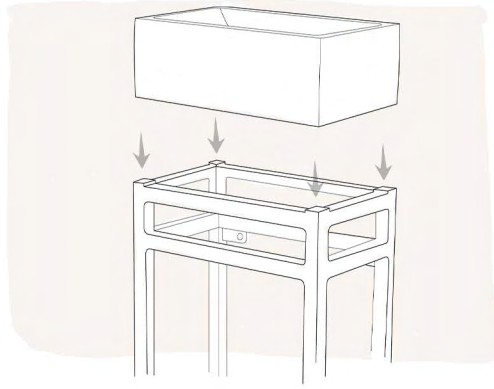
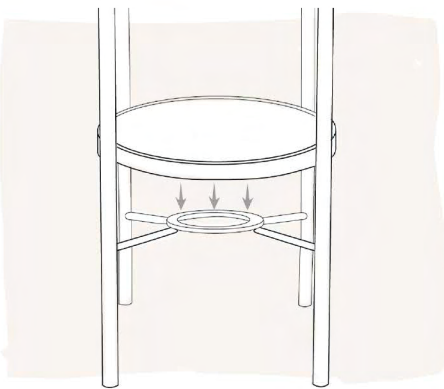
Use the studfinder to find a suitable fixing point for your console. This step is very important because consoles can be top heavy.

2

Once you are sure your wall can support your console, locate the holes in the back in order to bolt it to the wall.

3

Depending on the space where your console is located you may want to affix the bottom shelf to the frame.



4

Apply silicone to the bottom of the shelf, then, carefully affix the shelf to the consoles frame.

5

Apply silicone to the bottom of the sink, then, carefully affix it to the top of the console.

6

Congratulations, you have installed your new console. You may now install your plumbing fixtures.

CONCRETI

Care & Maintenance

Care

Please use standard care and precautions with your concrete products. Concrete is extremely durable; however it is not invincible. Excessive force can damage your piece.

Sealer

To ensure the longevity of our products, we apply a thin coat of high performance sealer that enhances the colors and protects the sink from wear and staining. Please ensure that you do not use tape (painters tape, duct tape, etc.) on the products as this may cause damage to the sealer.

Maintenance

Concrete is porous by nature, and although our sealer can protect your product from staining of harsh chemicals; it is best practice that you clean the spills as they occur to ensure the longevity of your product.

General cleaning is best done using a cloth soaked in warm water with mild dish soap of neutral pH.

Things to avoid

Avoid usage of abrasive cleaners, soaps or harsh scrubbers that could potentially wear down the sealer. We recommend using mild, non-abrasive, non-ammonia, non-acidic, non-vinegar, non-bleach soaps and cleaners.

If your product gets in contact with any of the below chemicals or liquids, clean promptly to avoid staining. This includes highly acidic liquids (lemon juice, mustard, vinegar, wine, soda, citric acid, tomatoes) and other harsh chemicals or solvents (perfumes, ammonia, acetone, hydrogen peroxide, etc.).