

REJUVENATION

Model No.

B-0331-6GNWS

Item No.



ADA Compliant

This Space for Architect/Engineer Approval

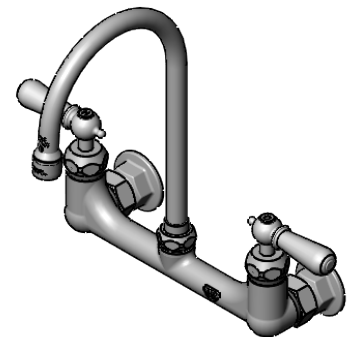
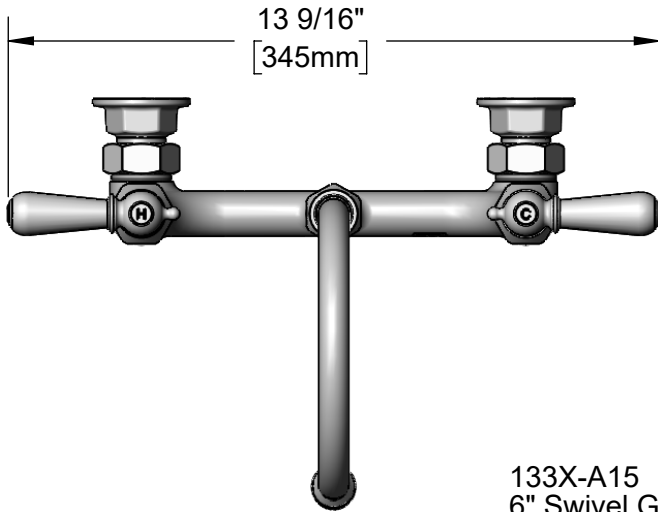
Job Name _____ Date _____

Model Specified _____ Quantity _____

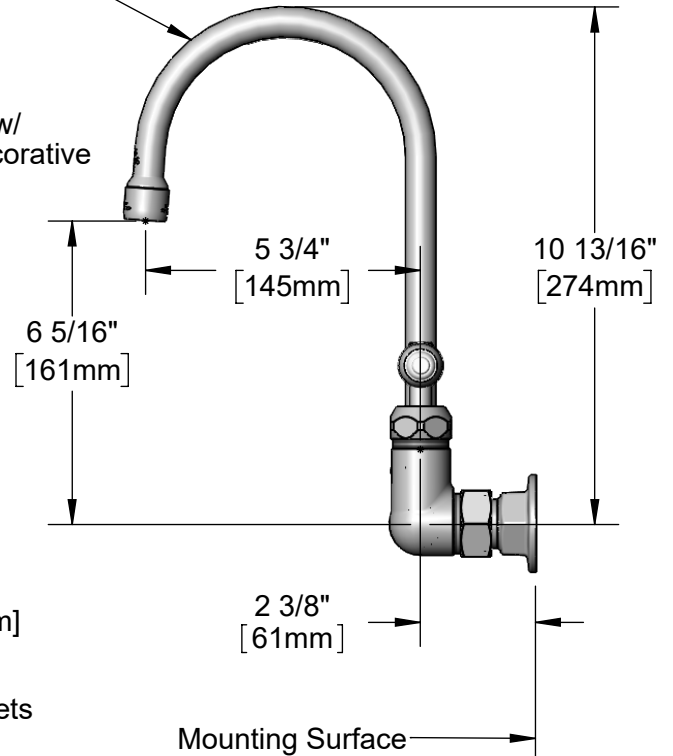
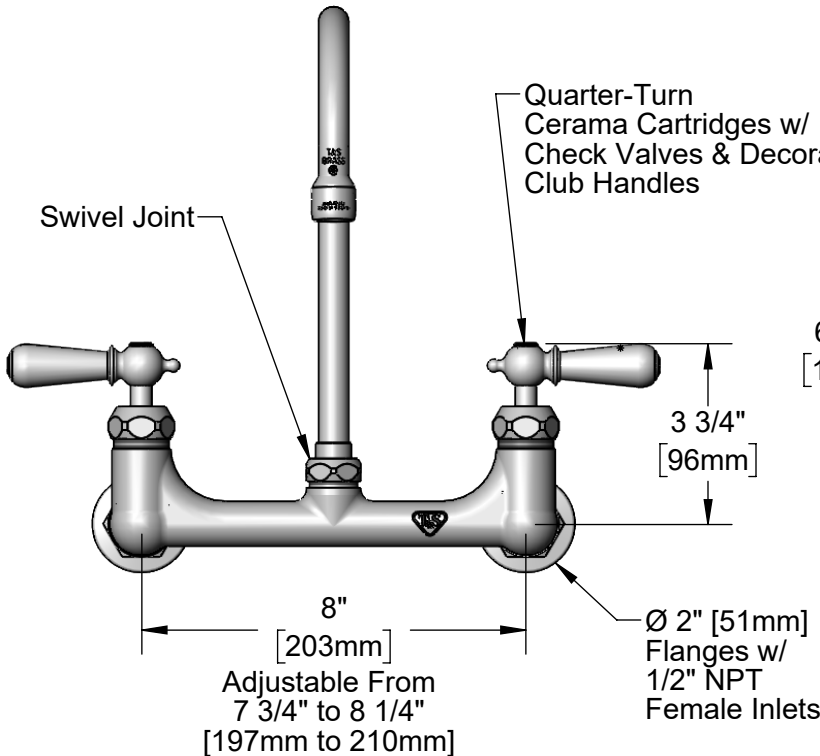
Customer/Wholesaler _____

Contractor _____

Architect/Engineer _____



133X-A15
6" Swivel Gooseneck
w/ 1.5 GPM Aerator
Converts to Rigid w/
014200-45
Lock Washer (Included).

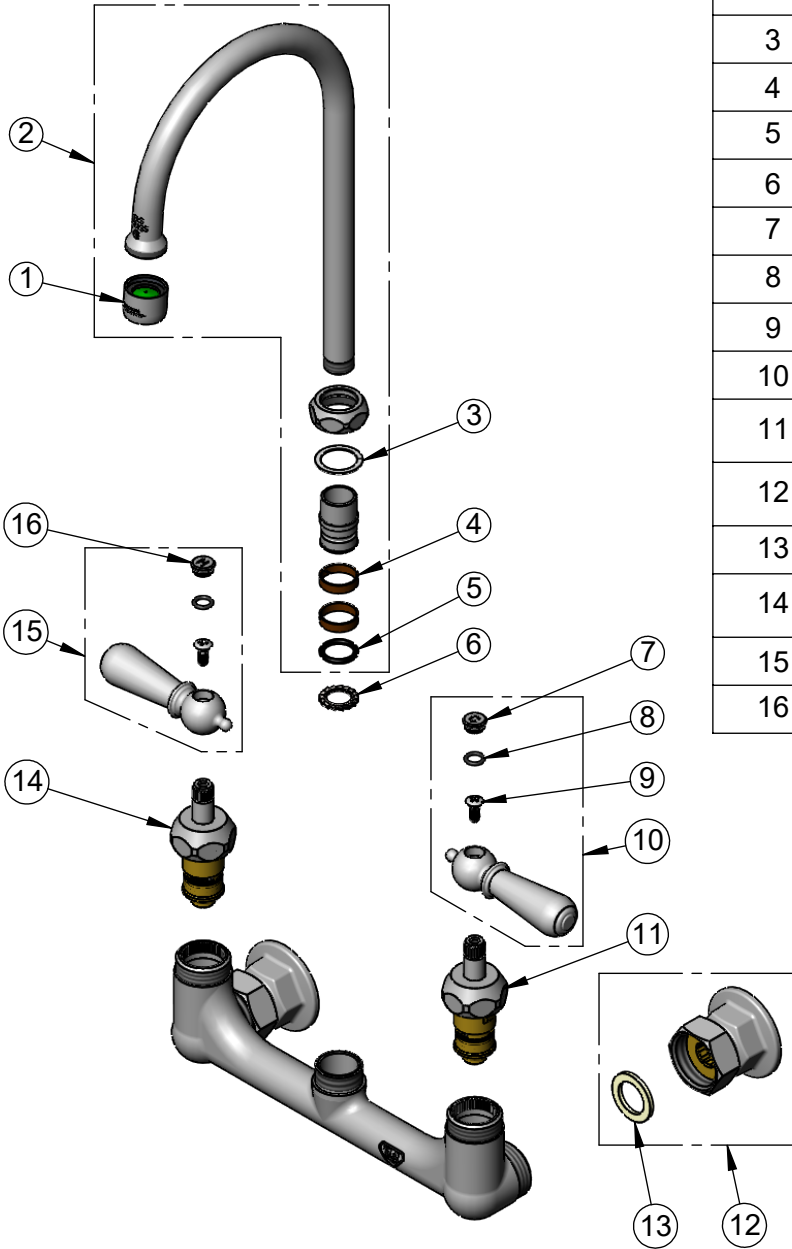


Product Specifications:
8" Wall Mount Mixing Faucet, Quarter-Turn Cerama Cartridges w/ Check Valves, Decorative Club Handles, 6" Swivel/Rigid Gooseneck w/ 1.5 GPM Aerator & 1/2" NPT Female Inlets

Product Compliance:
ASME A112.18.1 / CSA B125.1
NSF 61 - Section 9
NSF 372 (Low Lead Content)
ANSI A117.1 (ADA)

REJUVENATION

Model No.
B-0331-6GNWS
 Item No.



ITEM NO.	SALES NO.	DESCRIPTION
1	B-0199-01-WS	1.5 GPM Aerator, 55/64-27 Female
2	133X-A15	6" Swivel Gooseneck w/ 1.5 GPM Aerator
3	009538-45	Swivel Washer
4	011429-45	Swivel Sleeves (2)
5	001074-45	O-Ring
6	014200-45	Star Washer, Anti-Rotation
7	009304-41	Decorative Cap Insert, Cold
8	001066-45	O-Ring
9	000922-45	Lever Handle Screw
10	009331-41	Decorative Club Handle - Cold
11	012395-25NS	Quarter-Turn Cerama Cartridge w/ Check Valve, LTC
12	00AA	1/2" NPT Female Eccentric Flange
13	001019-45	Coupling Nut Washer
14	012394-25NS	Quarter-Turn Cerama Cartridge w/ Check Valve, RTC
15	009332-41	Decorative Club Handle - Hot
16	009303-41	Decorative Cap Insert, Hot

Product Specifications:
 8" Wall Mount Mixing Faucet, Quarter-Turn Cerama Cartridges w/ Check Valves, Decorative Club Handles, 6" Swivel/Rigid Gooseneck w/ 1.5 GPM Aerator & 1/2" NPT Female Inlets

Product Compliance:
 ASME A112.18.1 / CSA B125.1
 NSF 61 - Section 9
 NSF 372 (Low Lead Content)
 ANSI A117.1 (ADA)