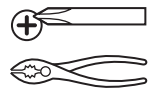


Screw Collar Canopy Fixtures

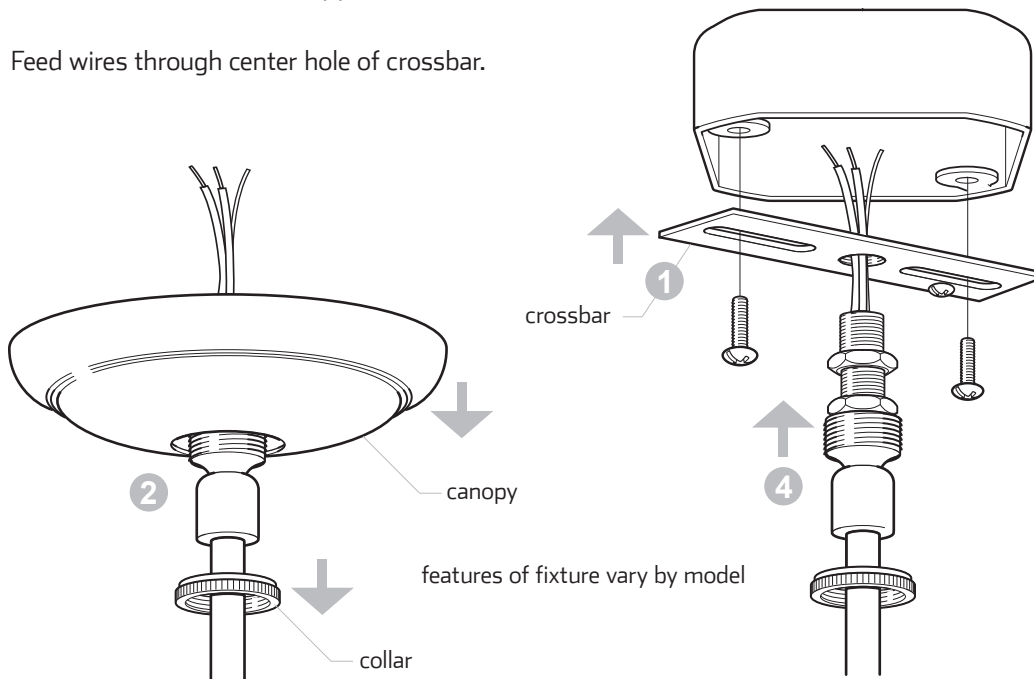
skill level • basic electrician

installation instructions

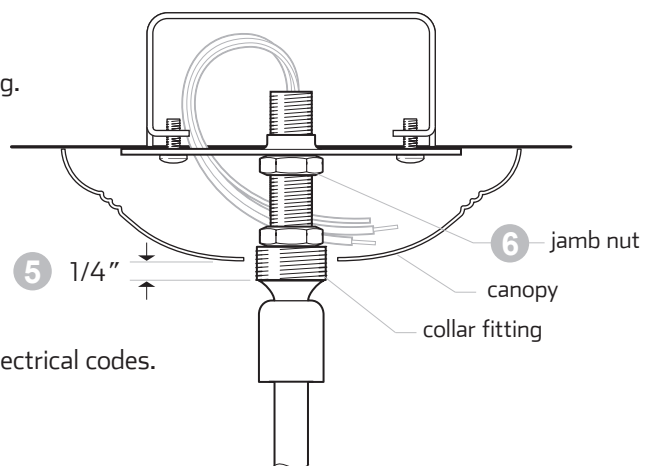
• toolbox



1. Remove crossbar from assembly and attach crossbar to electrical box.
2. Loosen collar and slide canopy and collar down rod or chain.
3. Feed wires through center hole of crossbar.



4. Screw threaded pipe loosely into crossbar.
5. Check fit of canopy by placing it snug against ceiling. Adjust depth of assembly so that collar fitting extends beyond bottom of canopy by 1/4".
6. Tighten jamb nut upward against crossbar to lock assembly in position.
7. Make wiring connections in accordance with local electrical codes. See "Important Information" on reverse side.
8. Slide canopy up against ceiling and secure with collar.



Complete

REJUVENATION®