

# ALLENGLADE Bath Hardware

**⚠ CALIFORNIA PROPOSITION 65 WARNING:** This product can expose you to chemicals including Lead which is known to the State of California to cause cancer and birth defects or other reproductive harm. For more information go to <https://www.p65warnings.ca.gov/>

## PARTS INCLUDED

### Hook /Towel Ring/ Toilet Paper Holder:

- 2pcs drywall anchors & 2pcs #8-15\*22 Phillips screws
- 1pc mounting bracket
- 2pcs #8-32 5/16" set screws & 1pc Allen key

### 24" Towel Bar:

- 4pcs drywall anchors & 4pcs #8-15\*22 Phillips screws
- 2pcs mounting bracket
- 2pcs #8-32 5/16" set screws & 1pc Allen key

**TOOLS NEEDED:** Phillips screwdriver, Pencil, Tape measure, Level

## MOUNTING INSTRUCTIONS FOR TYPICAL DRYWALL APPLICATIONS:

*Note: Consult your local hardware store for proper mounting to other wall materials.*

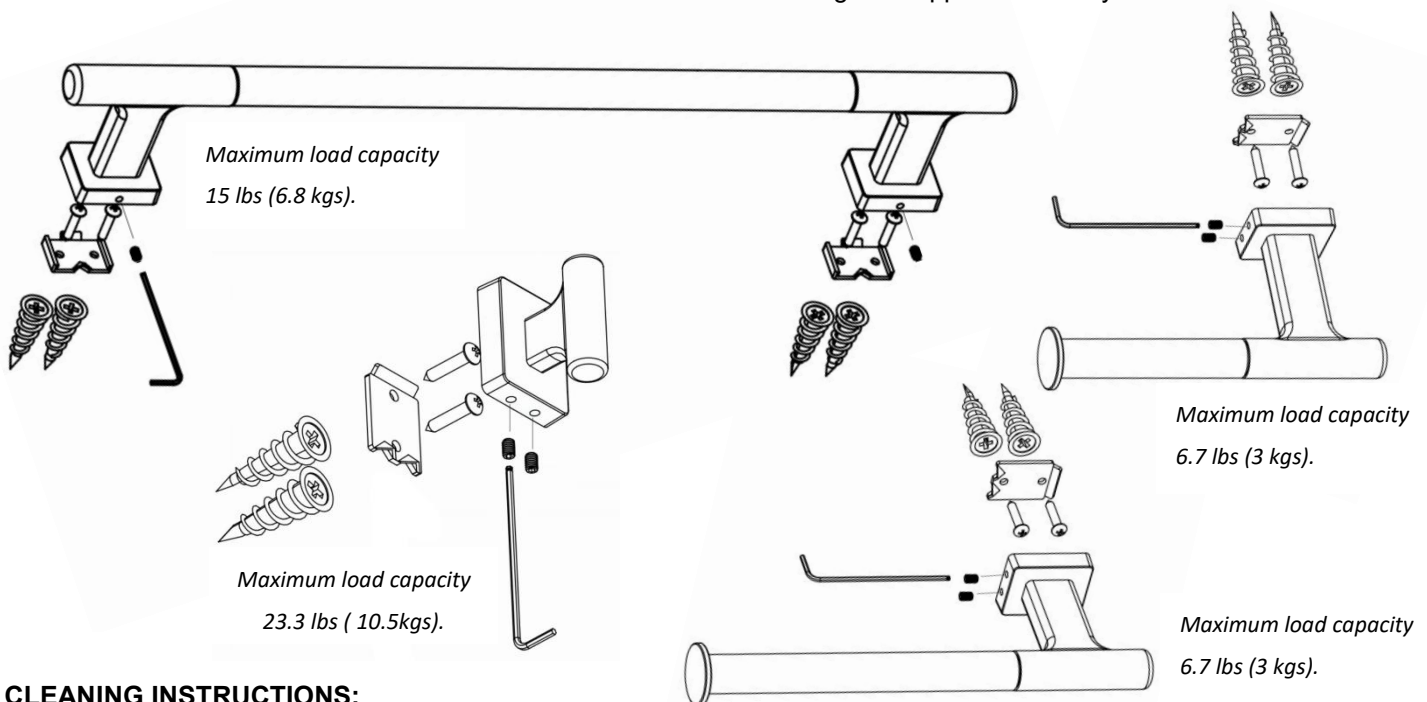
### • Hook /Towel Ring/ Toilet Paper Holder:

1. Determine the desired location, and mark the location with a pencil for mounting screws.
2. Use a Phillips screwdriver to insert the anchors as it is designed to bore into the wall like a screw. Do not push or pound.
3. Use the supplied screws to secure mounting bracket to wall.
4. Slide the product over bracket and secure it with the set screw using the supplied Allen key.

### • 24" Towel Bar:

For the first mounting bracket, repeat the above steps 1-3.

4. Determine the location for the second mounting bracket using a tape measure and level.
5. Repeat Step 1-3 for the second mounting bracket.
6. Slide Towel Bar over brackets and secure it with the set screws using the supplied Allen key.



## CLEANING INSTRUCTIONS:

- Dust often using a clean, soft, dry and lint-free cloth.
- Blot spills and wipe with a clean, damp cloth immediately.
- We do not recommend the use of chemical cleansers, abrasive or furniture polish on our lacquered finish
- Hardware may loosen over time. Periodically check to make sure all connections are tight. Re-tighten if necessary.