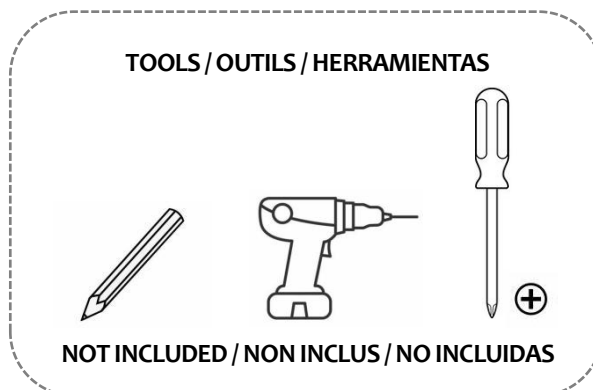
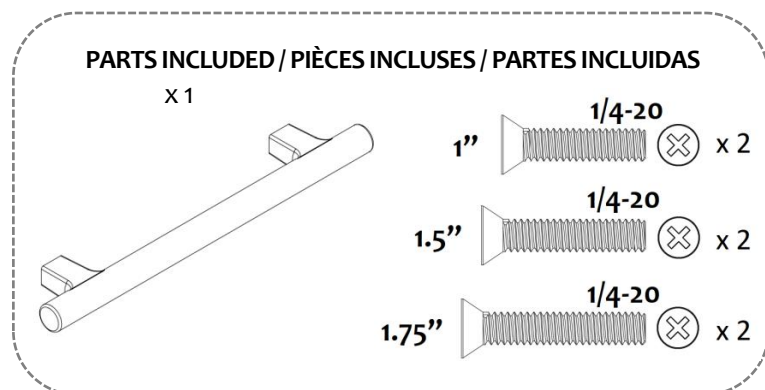


ALLENGLADE Appliance Pull

⚠ CALIFORNIA PROPOSITION 65 WARNING: This product can expose you to chemicals including Lead which is known to the State of California to cause cancer and birth defects or other reproductive harm. For more information go to <https://www.p65warnings.ca.gov/>

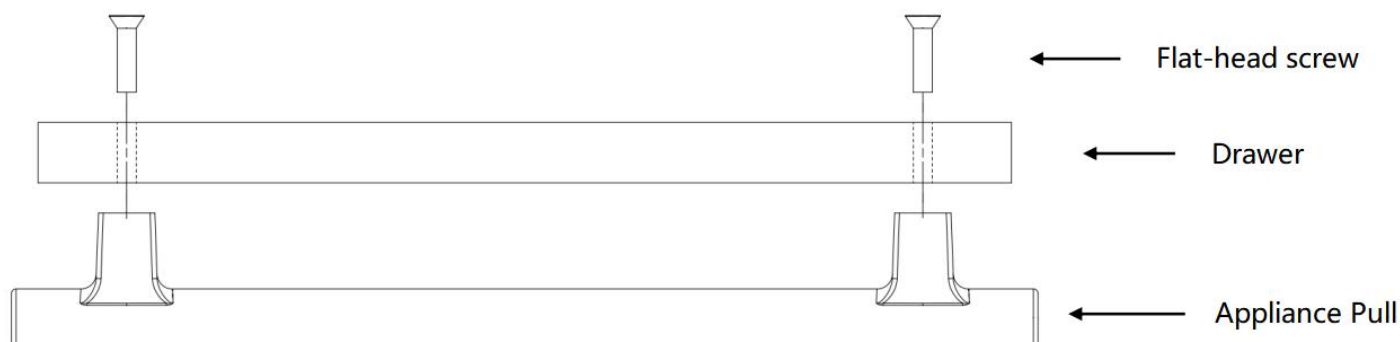
FASTENERS INCLUDED:

- (2) of each length: 1" / 1-1/2" / 1-3/4" #1/4-20 Flat head Phillips drive screw



MOUNTING INSTRUCTIONS: This Appliance Pull includes hardware that is designed to mount securely to drawer-fronts or cabinet doors that have a thickness range between 1/2" and 1-1/2" inches. If your drawer-front or door is thicker or thinner than this range, please obtain the appropriate size screw from your local hardware store.

- Carefully determine a desired pull location. Use 1/4 inch diameter drill bit and appropriate drill to make the holes through the drawer-front / door with the proper center-to-center distance matching your pulls. Insert the appropriate length screws from the back of the drawer-front / door. Attach the drawer pull onto the protruding threads of the screws. Use a screwdriver to tighten the screws while gently holding the drawer pull.



CLEANING INSTRUCTIONS

- Dust often using a clean, soft, dry and lint-free cloth.
- Blot spills and wipe with a clean, damp cloth immediately.
- We do not recommend the use of chemical cleansers, abrasive or furniture polish on our lacquered finish.
- Hardware may loosen over time. Periodically check to make sure all connections are tight. Re-tighten if necessary.