

LADD LINEAR HOOK RACK

CALIFORNIA PROPOSITION 65 WARNING: This product can expose you to chemicals including Lead which is known to the State of California to cause cancer and birth defects or other reproductive harm. For more information go to www.P65warnings.ca.gov.

PARTS INCLUDED

Hook Rack	1 pc
# 8-1.5" Slotted Head Mounting Screws	3 pcs (1 extra)
Drywall Anchors	2 pcs

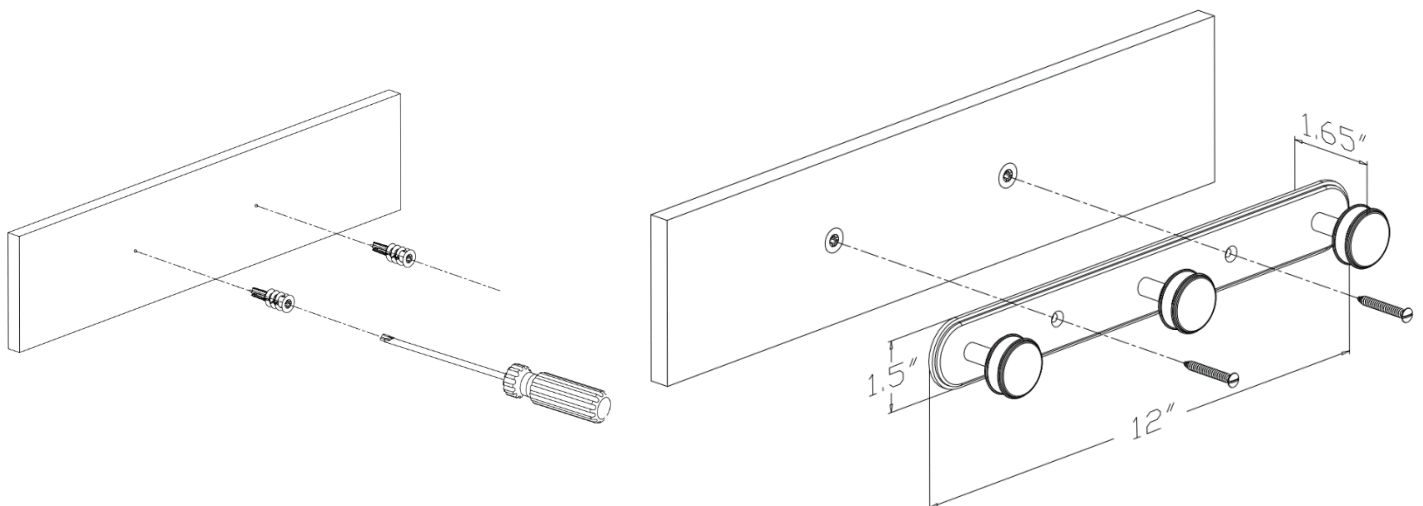
The maximum load capacity for this product is 25 LBS.

MOUNTING INSTRUCTIONS FOR TYPICAL DRYWALL APPLICATIONS

Note: Consult your local hardware store for proper mounting to other wall materials.

Tools required: Phillips screwdriver, Slotted screwdriver, Pencil.

1. Place hook in desired location.
2. Mark the location of drywall anchor installation with the pencil using the Hook Rack. Remove the Hook Rack from the wall. Using the Phillips head screwdriver, pierce the tip of the anchor into the wall. **Do not "push" or drive the anchors into the wall, they are designed to bore into the wall like a screw.** Turn clockwise until anchor is flush with the wall.
3. Once both sets of anchors are in place, place the hook over anchor and insert mounting screws. Turn mounting screws clockwise with the slotted head screwdriver just until you feel resistance.
***Do not attempt to drive screws with a power drill/driver (solid brass screws will break off) *.**



CLEANING INSTRUCTIONS

1. Dust often using a clean, soft, dry and lint-free cloth.
2. Blot spills and wipe with a clean, damp cloth immediately.
3. We do not recommend the use of chemical cleansers, abrasives or furniture polish on our lacquered finish.
4. Hardware may loosen over time. Periodically check to make sure all connections are tight. Re-tighten if necessary.