

PARSONS Door Knocker

⚠ CALIFORNIA PROPOSITION 65 WARNING: This product can expose you to chemicals including Lead which is known to the State of California to cause cancer and birth defects or other reproductive harm. For more information go to <https://www.p65warnings.ca.gov/>

PARTS INCLUDED

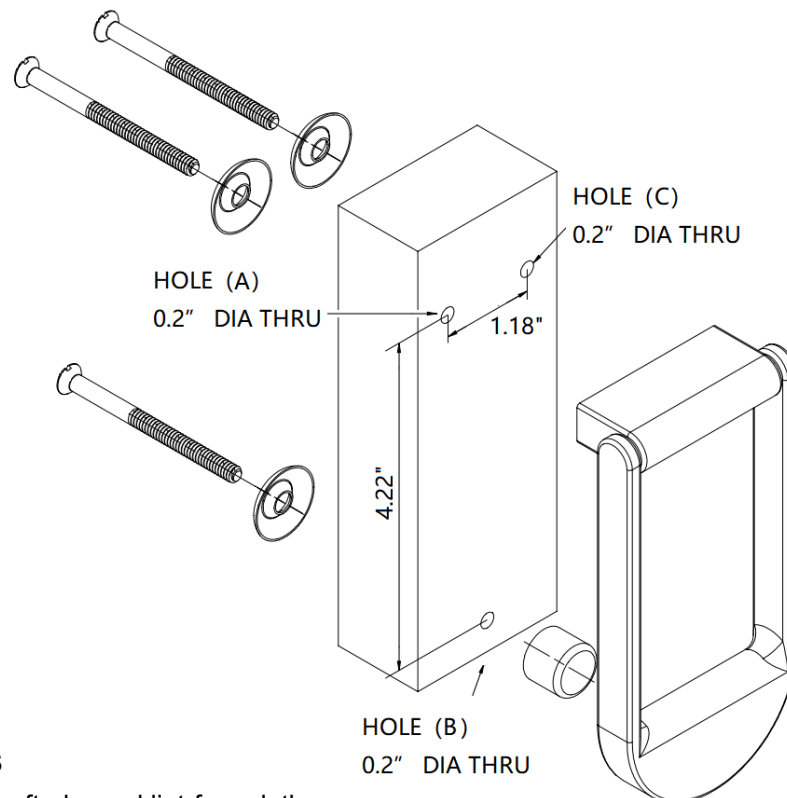
- Door knocker 1pc
- Strike plate 1pc
- Mounting hardware (3pcs washers, 3pcs #10-24 slotted 2.75" length mounting bolts)

TOOLS REQUIRED: Drill, Slotted screwdriver, Pencil.

MOUNTING INSTRUCTIONS:

1. Carefully determine a desired knocker location, then mark screw hole location with a pencil.
2. Drill 0.2" diameter hole through the marks.
3. (See below image) Hold the knocker against the door so that the screw holes align with the drilled holes. Use a slotted screwdriver to insert the bolt with washer through the drilled hole on the door from inside. Slowly turn the bolt clockwise until tight. Do the same for the strike plate.

NOTE: The supplied screws are 2.75" long and are suitable for doors up to 2.25" in thickness. If your door is less than 2.25" thick, you may cut down the length as needed.



CLEANING INSTRUCTIONS

- Dust often using a clean, soft, dry and lint-free cloth.
- Blot spills and wipe with a clean, damp cloth immediately.
- We do not recommend the use of chemical cleansers, abrasive or furniture polish on our lacquered finish
- Hardware may loosen over time. Periodically check to make sure all connections are tight. Re-tighten if necessary.