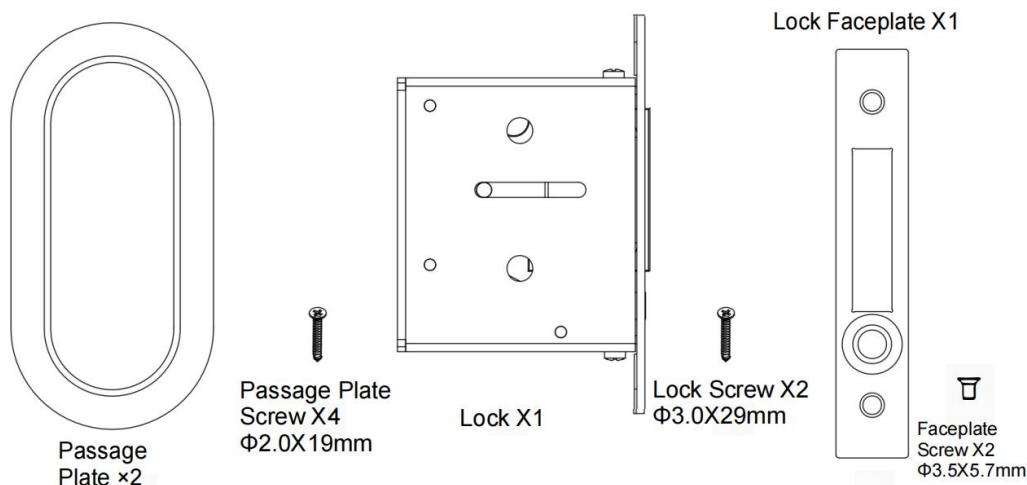


PEARSON POCKET DOOR PASSAGE

CALIFORNIA PROPOSITION 65 WARNING: This product can expose you to chemicals including Lead which is known to the State of California to cause cancer and birth defects or other reproductive harm. For more information go to www.P65warnings.ca.gov.

PARTS INCLUDED



TOOLBOX



Door Thickness: This item is designed to work with pocket doors of 1-3/8" thickness.

Skill Level: Advanced Carpenter.

1. Determine the height you wish to install your pocket door pull and door plates.

Note: Standard height for door sets is between 32" and 42" from floor.

For this non-locking Passage Set, the door plates can be installed in any location relative to the mortise pull body.

2. Referring to the template, cut mortise into door edge for the mortise body.

Note: A shallow recess is for the faceplate and a deeper one for the mortise body.

3. Install mortise pull body into the door and secure with two supplied wood screws.

4. Referring to the template, cut mortises for door plates.

5. Position door plates and mark location of all mounting holes.

6. Drill pilot holes for door plate attachment screws.

7. Install the door plates using supplied wood screws.

CLEANING INSTRUCTIONS

1. Dust often using a clean, soft, dry and lint-free cloth.

2. Blot spills and wipe with a clean, damp cloth immediately.

3. We do not recommend the use of chemical cleansers, abrasives or furniture polish on our lacquered finish.

4. Hardware may loosen over time. Periodically check to make sure all connections are tight. Re-tighten if necessary.

