

RILEY GLASS SHELF 24IN

CALIFORNIA PROPOSITION 65 WARNING: This product can expose you to chemicals including Lead which is known to the State of California to cause cancer and birth defects or other reproductive harm. For more information go to www.P65warnings.ca.gov.

PARTS INCLUDED

1pc Glass shelf



2pcs Shelf Brackets



2pcs Shelf Mounting Set screws



2pcs Mounting brackets.



4pcs EZ Anchors



4pcs ST4.2*38 Phillip Mounting screws



2pcs M5*10 Hex Set screws



1pc Allen key



Maximum total weight capacity for this product is 18lbs (8.2 kgs).

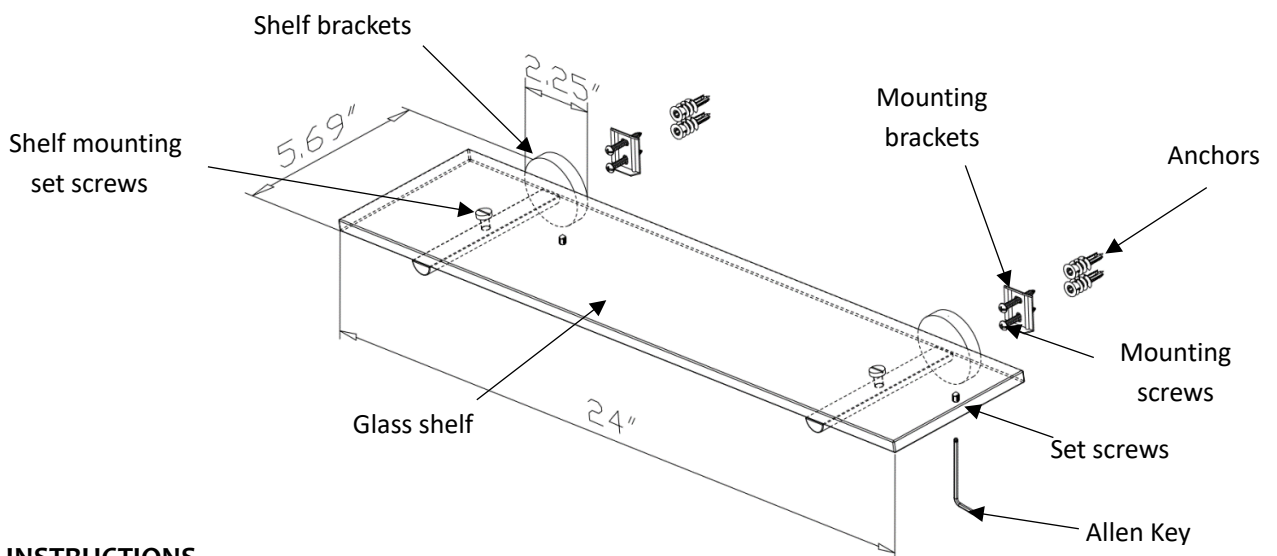
MOUNTING INSTRUCTIONS FOR TYPICAL DRYWALL APPLICATIONS

Note: Consult your local hardware store for proper mounting to other wall materials.

Tools Required: Phillips screwdriver, Pencil, and Level.



1. Determine the glass shelf location.
2. Mark the location for mounting screws of first bracket
3. Use a Phillips screwdriver to insert the wall anchors. Do not “push” or drive the anchors into the wall, it is designed to bore into the wall like a screw. Slowly turn the anchors clockwise while applying pressure until the flange just touches the wall.
4. Using the supplied screws to secure mounting brackets to wall. Turn mounting screws clockwise just until you feel resistance.
5. Use level determine the location for the second shelf bracket, repeat Step 2 thru 4.
6. Slide Shelf Brackets over the mounting brackets and secure it with the set screws using the supplied Allen key.
7. Slide Glass shelf over brackets in position and secure it with the shelf mounting set screws.



CLEANING INSTRUCTIONS

1. Dust often using a clean, soft, dry and lint-free cloth.
2. Blot spills and wipe with a clean, damp cloth immediately.
3. We do not recommend the use of chemical cleansers, abrasives or furniture polish on our lacquered finish.
4. Hardware may loosen over time. Periodically check to make sure all connections are tight. Re-tighten if necessary.