

## RILEY TRAIN RACK

**CALIFORNIA PROPOSITION 65 WARNING:** This product can expose you to chemicals including Lead which is known to the State of California to cause cancer and birth defects or other reproductive harm. For more information go to [www.P65warnings.ca.gov](http://www.P65warnings.ca.gov).

## PARTS INCLUDED

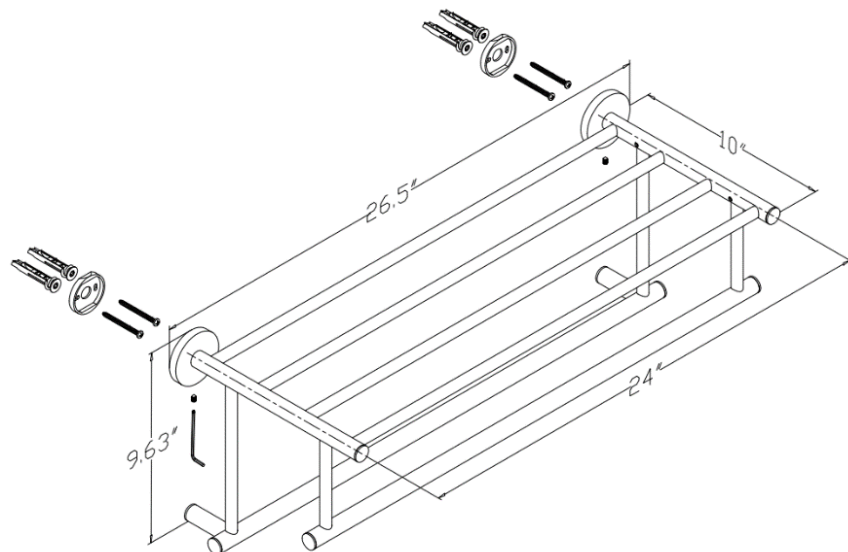
1pc Train Rack, 2pcs Set screws, 2pcs Mounting brackets, 1pc Allen key, 4pcs Anchors, 4pcs Mounting screws

## MOUNTING INSTRUCTIONS FOR TYPICAL DRYWALL APPLICATIONS THE MAXIMUM LOAD CAPACITY FOR THIS PRODUCT IS 32 LBS

Note: Consult your local hardware store for proper mounting to other wall materials.

Tools Required: Phillips and slotted screwdriver, Pencil.

1. Determine the desired location.
2. Mark the location for mounting screws.
3. Use a Phillips screwdriver to insert the wall anchors. Do not “push” or drive the anchors into the wall, it is designed to bore into the wall like a screw. Slowly turn the anchors clockwise while applying pressure until the flange just touches the wall.
4. Using the supplied screws to secure mounting bracket to wall. Turn mounting screws clockwise just until you feel resistance.
5. Using a tape measure and level determine the location for the second mounting bracket, repeat Step 2 and 3.
6. Using the supplied screws to secure mounting brackets to wall. Turn mounting screws clockwise just until you feel resistance.
7. Slide Towel bar over brackets and secure it with the set screws using the supplied Allen key.



## CLEANING INSTRUCTIONS

1. Dust often using a clean, soft, dry and lint-free cloth.
2. Blot spills and wipe with a clean, damp cloth immediately.
3. We do not recommend the use of chemical cleansers, abrasives or furniture polish on our lacquered finish.
4. Hardware may loosen over time. Periodically check to make sure all connections are tight. Re-tighten if necessary