

Shower Door 180 Degree Glass-to-Glass Hinge

Glass Thickness: 5/16" (8 mm) to 1/2" (12 mm) glass

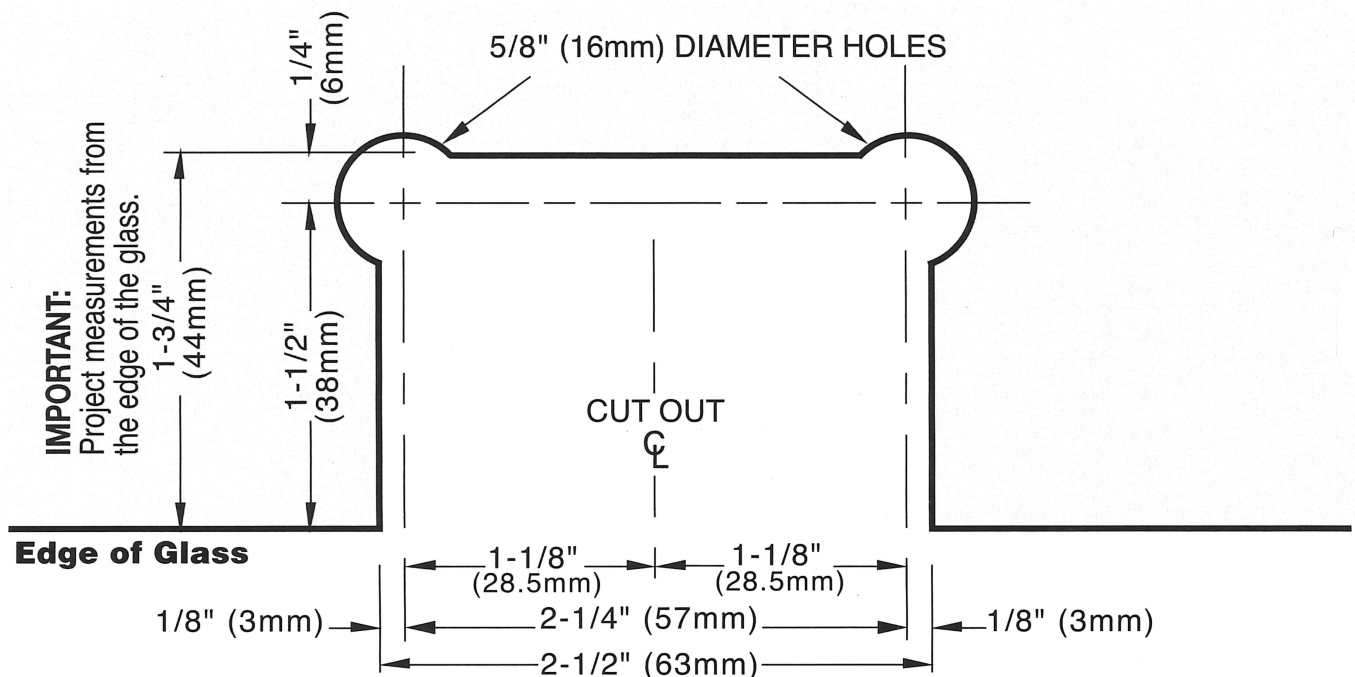
CALIFORNIA PROPOSITION 65 WARNING: This product can expose you to chemicals including Lead which is known to the State of California to cause cancer and birth defects or other reproductive harm. For more information go to www.P65warnings.ca.gov.

PARTS INCLUDED:

- 1 pc Hinge
- 1 pc Hexagonal wrench
- 4 pc Gasket - 1mm thick. For glass thicker than 8mm. Insert 1 on each side of glass.
- 4 pc Gasket - 2 mm thick. For 8mm glass. Insert 1 on each side of glass.
- 4 pc Decorative screw cover

GLASS CUTOUT DIMENSIONS:

for standard 3/16" (5mm) gap between glass panels



PRODUCT SPECIFICATIONS

*Maximum Door Capacities	5/16" (8mm)		3/8" (10mm)		1/2" (12mm)	
	Glass Weight	Door Width	Glass Weight	Door Width	Glass Weight	Door Width
Using 2 Hinges	99 lbs.(45 kgs)	28" (711mm)	99 lbs.(45 kgs)	28" (711mm)	99 lbs.(45 kgs)	28" (711mm)
Using 3 Hinges	147 lbs.(67 kgs)	32"(813mm)	147 lbs.(67 kgs)	32"(813mm)	147 lbs.(67 kgs)	32"(813mm)

SPECIFICATIONS

1. Max capacity: 99 lbs/ 45 kgs (in pairs)
2. Glass Material: Tempered safety glass
3. Glass Thickness: 5/16" (8 mm) to 1/2" (12 mm) glass
4. Feature: Self-Centering when within 30 degree of closed position

CLEANING and MAINTENANCE INSTRUCTIONS

1. We do not recommend the use of chemical cleansers, abrasives or furniture polish on our lacquered finish.
2. Hardware may loosen over time. Periodically check to make sure all connections are tight. Re-tighten if necessary
3. Use household oil for squeaks. Do not use spray lubricant on these hinges.

Thank you for your purchase
Customer Service: 888 401-1900
www.rejuvenation.com