

ICE BOX LATCH

CALIFORNIA PROPOSITION 65 WARNING: This product can expose you to chemicals including Lead which is known to the State of California to cause cancer and birth defects or other reproductive harm. For more information go to www.P65warnings.ca.gov.

This latch includes hardware that is designed to mount securely cabinet door and frame.

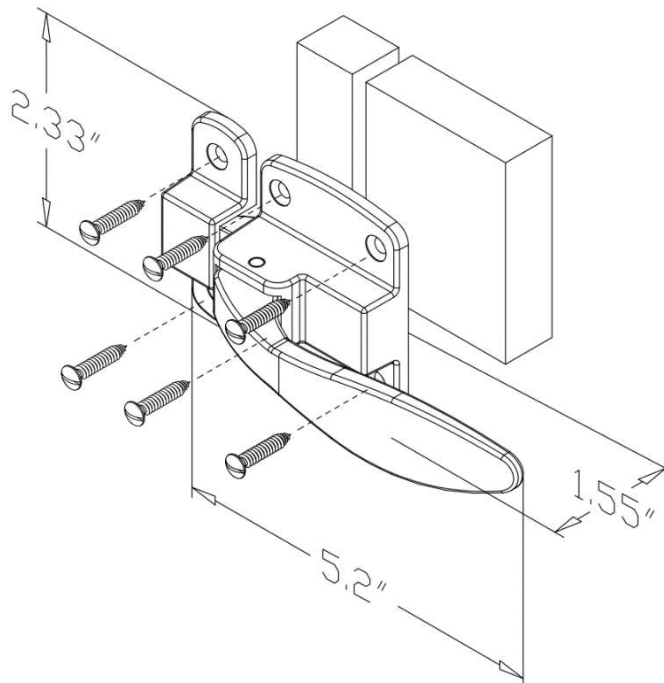
Tools required: Slotted Screwdriver, Pencil, Drill with the appropriate size bits.

PARTS INCLUDED

| | |
|-----------------------------------|--------------------|
| Ice Box Latch with catch | 1 pc |
| #6-3/4-inch oval head wood screws | 8 pcs (2pcs extra) |

MOUNTING INSTRUCTIONS

1. Carefully determine a desired Latch location. Using a pencil, mark the locations for each screw.
2. ***You Must Drill Pilot Holes the proper diameter and the full depth of the screws to Prevent them From Breaking.*** Use a 3/32-inch diameter drill bit for hardwood, along with an appropriate drill to make pilot holes in the cabinet door. Using a steel screw of the same size to pre-tap the holes can be helpful on hardwoods.
3. Attach the Cabinet Latch using a slotted screwdriver, being careful not to let the screwdriver strip the wood screws or scratch the Cabinet Latch finish. Do not overtighten.
***Do not attempt to drive screws with a power drill/driver (solid brass screws will break off)*.**



CLEANING INSTRUCTIONS

1. Dust often using a clean, soft, dry, and lint-free cloth.
2. Blot spills and wipe with a clean, damp cloth immediately.
3. We do not recommend the use of chemical cleansers, abrasives, or furniture polish on our lacquered finish.
4. Hardware may loosen over time. Periodically check to make sure all connections are tight. Re-tighten if necessary.