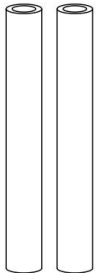
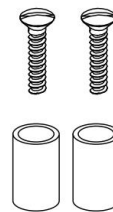


ADDRESS NUMBER JERICHO 6IN

CALIFORNIA PROPOSITION 65 WARNING: This product can expose you to chemicals including Lead which is known to the State of California to cause cancer and birth defects or other reproductive harm. For more information go to www.P65warnings.ca.gov.

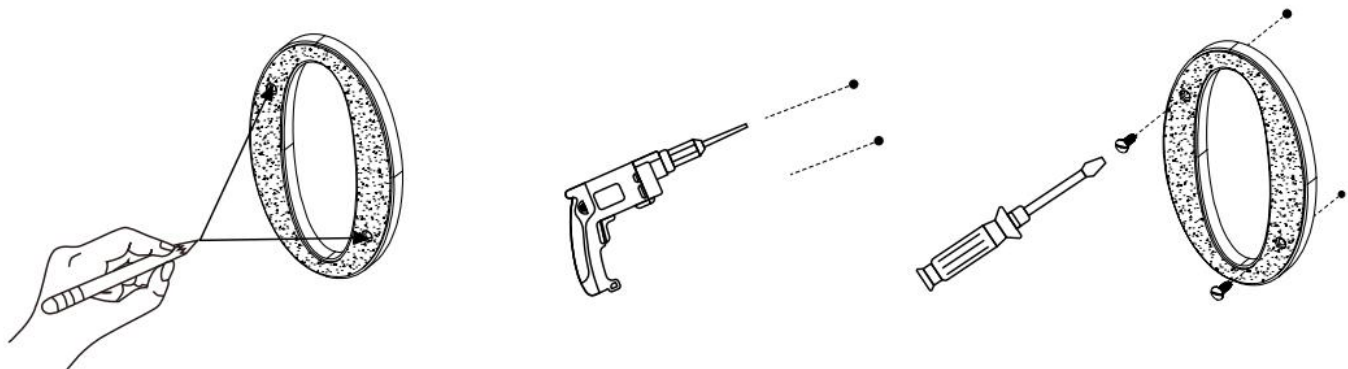
PARTS INCLUDED

Address Number	1 pc			
Wood Screws	2 pcs			
Machine Screws	2pcs	Spacer	2pcs	Mounting Pin 2 pcs



MOUNTING INSTRUCTIONS FOR TYPICAL WOOD SIDING APPLICATIONS

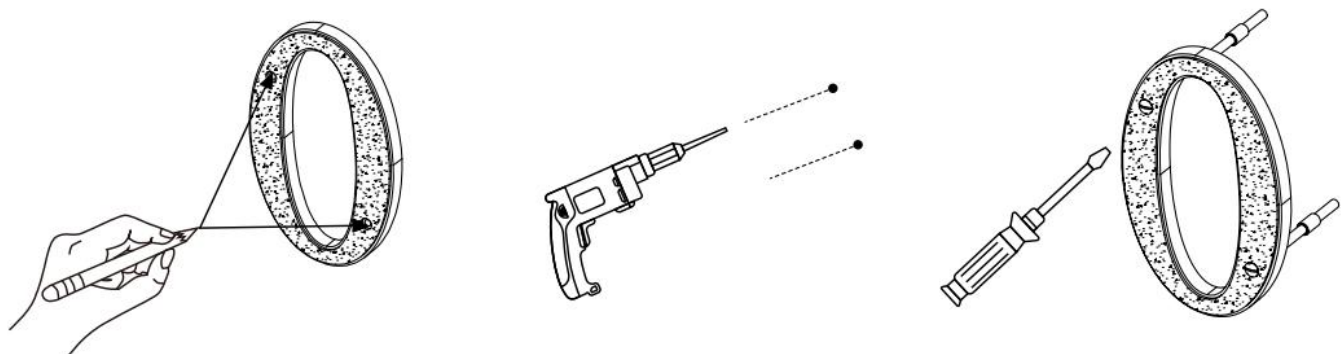
A. Mount with Wood Screws



B. Mount with Pins

1. Use a 11/64 inch diameter drill bit and an appropriate drill to make holes. Drill each hole for 1-1/2" in depth.
2. Thread machine screw into house number, Thread Pin into back of machine screws, and insert the spacers
3. Press the Pins firmly into the previously drilled holes.

Note: Gently tapping with a hammer over a piece of wood may be necessary to fully seat the number.



CLEANING INSTRUCTIONS

To maintain and protect the luster of all products, clean with a soft, damp cloth only.