

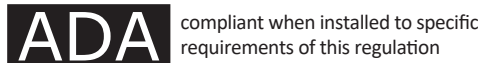
Specifications:

Installation:	deck-mount 1-hole, touch-free
Exterior Dimensions:	H: 5 1/2" SPOUT: 3 5/8"
Material:	solid brass construction spout
Soap volume discharge:	0.07 oz (2mL)/level (4 levels)
Power supply:	AC/DC
Finishes:	CR - polished chrome PN - polished nickel 21 - brushed stainless steel NI - brushed nickel BG - brushed gold 44 - matte black TN - titanium MW - matte white (made to order)
Cutout Size:	Ø 1 1/8"
Accessories included:	power adapter, large soap bottle #EXBTL, all supply lines and battery box

Features:

- **Touch-free safety from spreading undesirable pathogens**
- **Commercial grade automated fixture**
- Power supply options:
AC - transformer with a plug to electricity and/or
DC - battery pack for 4 x D alkaline batteries (batteries not included)
- on average lasts for 75,000 use cycles
- Plastic refillable bottle with 0.5 gal (1.9 L) capacity
- Optional small bottle .21 gal (.8 L) supplied upon request – specify code EXBTS at the time of order
- Liquid soap viscosity: 1000-3500 cps (mpA-s)
- Sensing distance by default: 3" (8cm)
- Sensing range: 2"-12" (5cm - 30cm) adjustable with a magnet
- Complements the Zoom Collection

Codes + Standards:

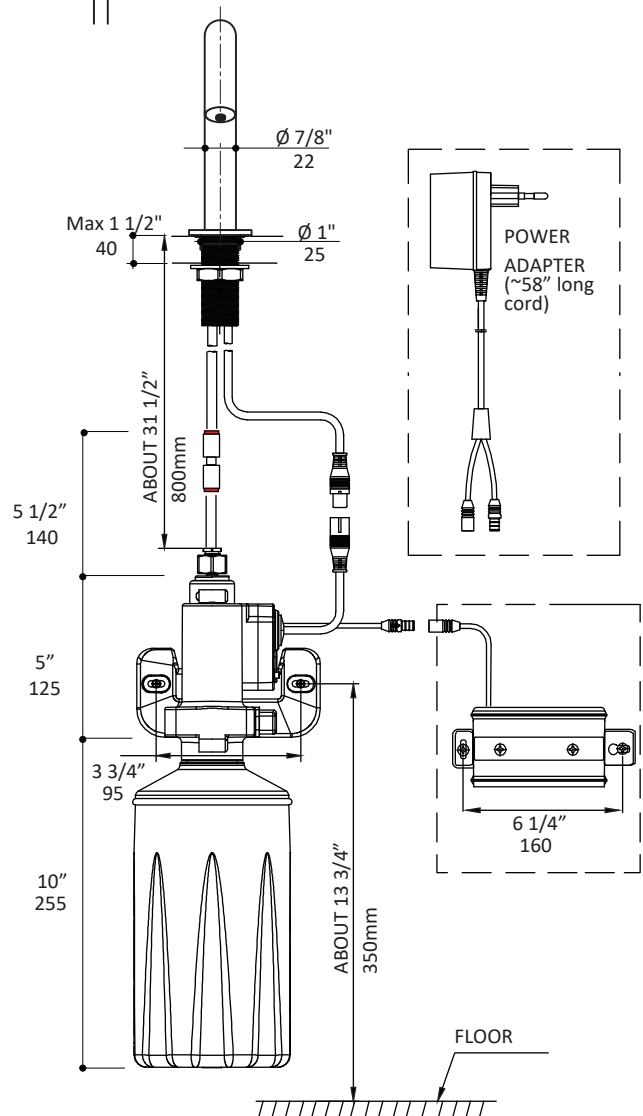
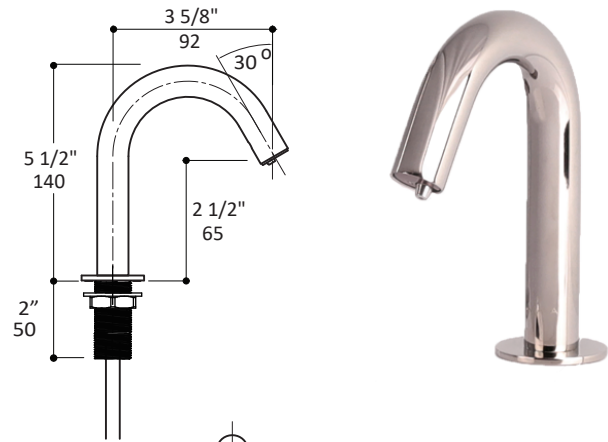


Recommended Items:

- Replacement parts:
 - #PUMP2 - replacement pump
 - #4DBATPK - replacement battery pack
 - #EXBTL - replacement large soap bottle, .5 gal
 - #EXBTS - replacement small soap bottle, .21 gal
- #EX11 - matching electronic faucet

LACAVA reserves the right to revise any dimension or information on this sheet without notice. Dimensions are nominal and may vary within an industry accepted tolerance of 1/4". Drawings provided herein are meant to give the user an idea of the product and are not made to scale. Location of plumbing is meant for reference, your specific application may vary.

Revised: 09/24/2021



LACAVA®

Owner's Manual ZOOM Soap Dispenser Item: EX13, EX23

Features:

- Deck-mount electronic touch-free soap dispenser
- Brass construction with 0.5 gal (1.9 L) plastic refillable bottle
- Promotes germ free and automated environment
- Liquid soap viscosity: 1000-3500 cps (mpA-s)
- Soap volume discharge: 0.07 oz (2mL)/level (4 levels)
- It can be installed to meet ADA compliance
- Sensing distance: 3" (8 cm)
- Sensing range: 2"-12" (5 cm - 30 cm) adjustable with a magnet



Important: Keep this manual for future technical assistance and/or replacement parts. Please read the instructions within the booklet carefully prior to installation. LACAVA recommends that this fixture be installed by a professional plumber and will not be held responsible for any damage caused by improper installation. It is the responsibility of the homeowner to ensure that this fixture complies with all local plumbing codes. Please see the Terms & Conditions found within this booklet for additional information. For technical assistance please contact 773-637-9600.

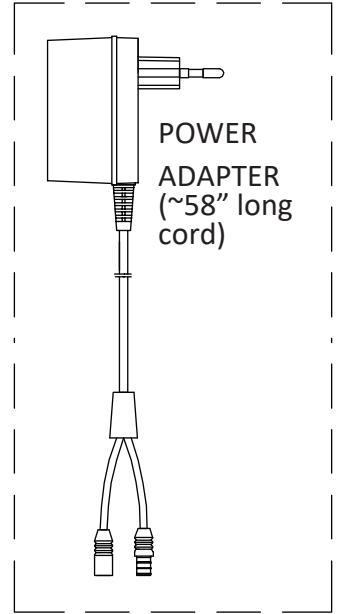
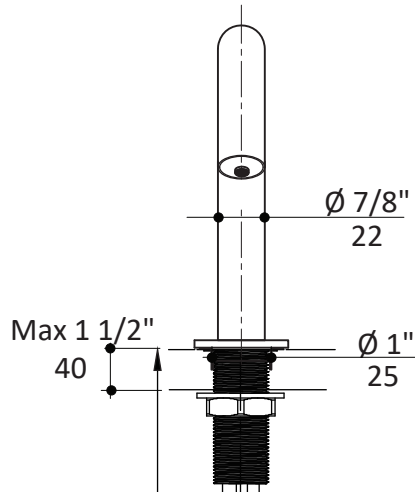
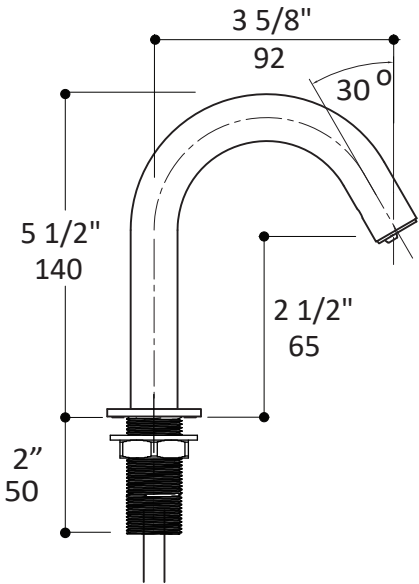
Importante: Guarde este manual para futura asistencia técnica y / o piezas de repuesto. Por favor, lea las instrucciones en el folleto cuidadosamente antes de la instalación. LACAVA recomienda que este aparato sea instalado por un técnico y no se hace responsable de los daños causados por una instalación incorrecta. Es la responsabilidad del propietario garantizar que este aparato cumpla con todos los códigos de plomería locales. Por favor, consulte nuestros Términos y Condiciones que se encuentran en este folleto para información adicional. Para obtener asistencia técnica, por favor contacte a: 773-637-9600.

Table of Contents/Contenido:

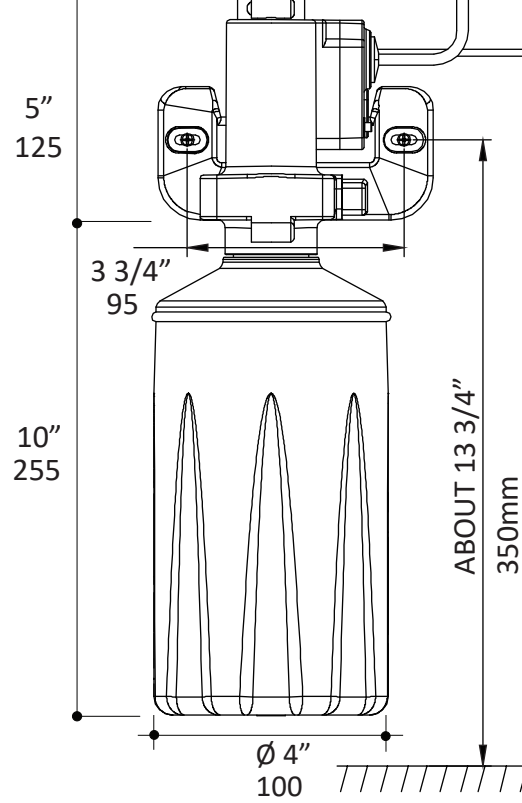
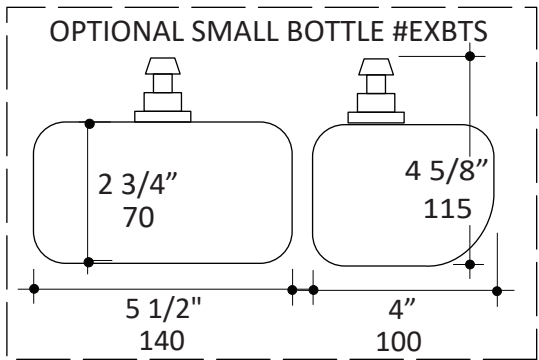
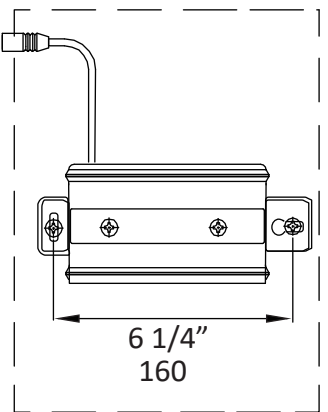
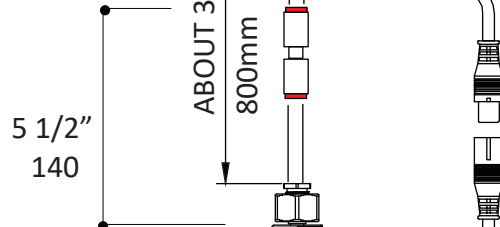
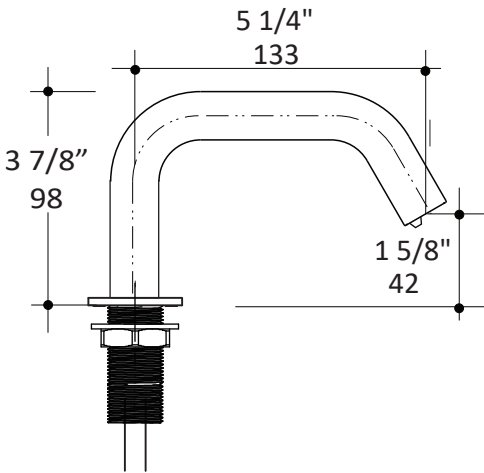
- Page 2: Product Specifications/Especificaciones de Producto
- Page 3: Parts Breakdown/Desglosamiento de Partes
- Page 4 : Installation Instructions/Instrucciones de Instalación
- Page 6: Troubleshooting
- Page 7: Cleaning & Care/Cuidado y Limpieza
- Page 8: Warranty/Garantía
- Page 9: Terms and Conditions/Términos y Condiciones

Product Specifications/Especificaciones de Producto

EX13

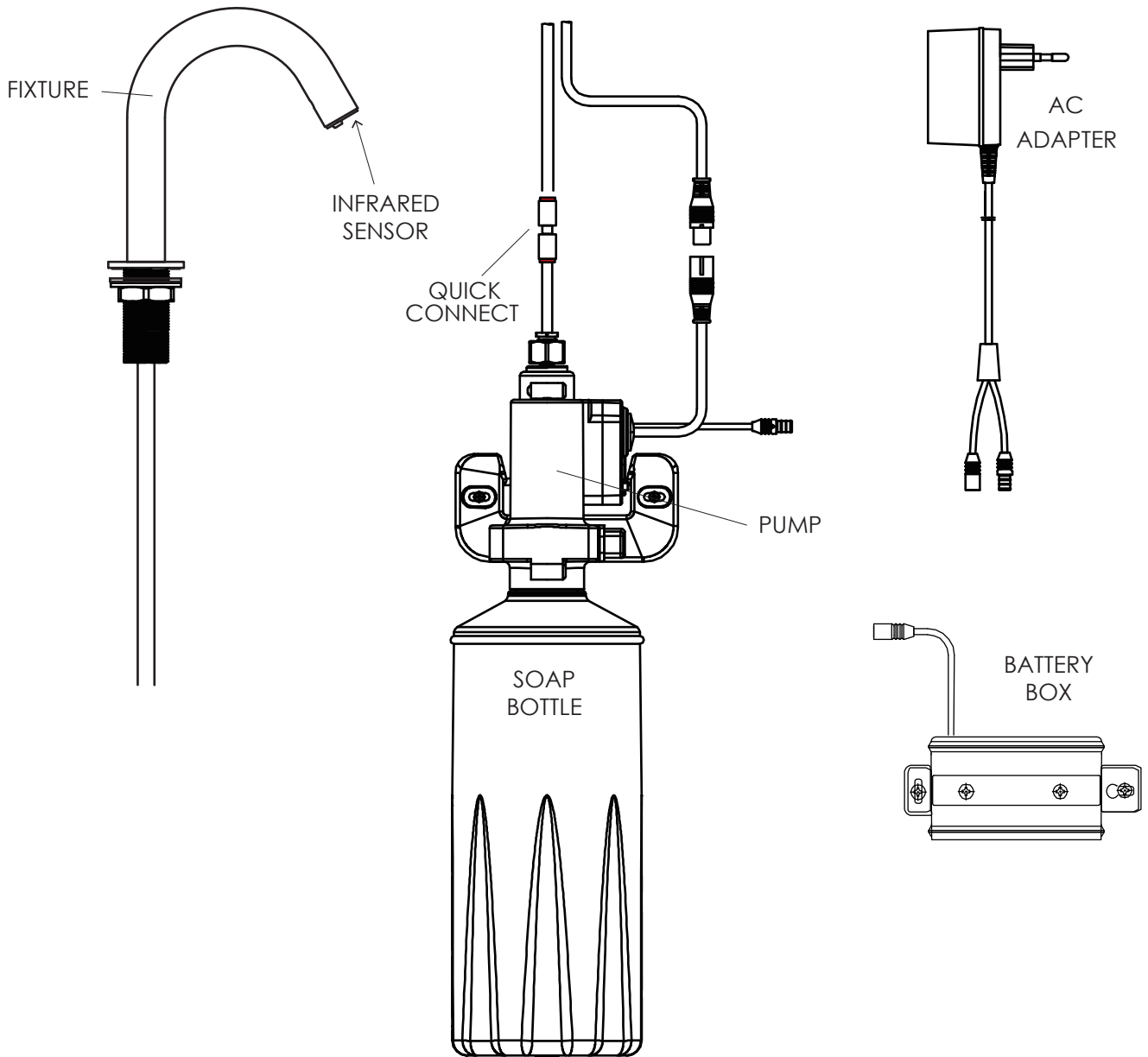


EX23



Note:
 Drawings provided herein are meant to give the user an idea of the product and are not made to scale. The sizes in inches are rounded up to the nearest 1/16.

Parts Breakdown/Desglosamiento de Partes



Note:
Please reference this sheet and the corresponding part number when requesting parts.
Nota:
Por favor referirse a esta pagina y la parte correspondiente cuando ordene partes.

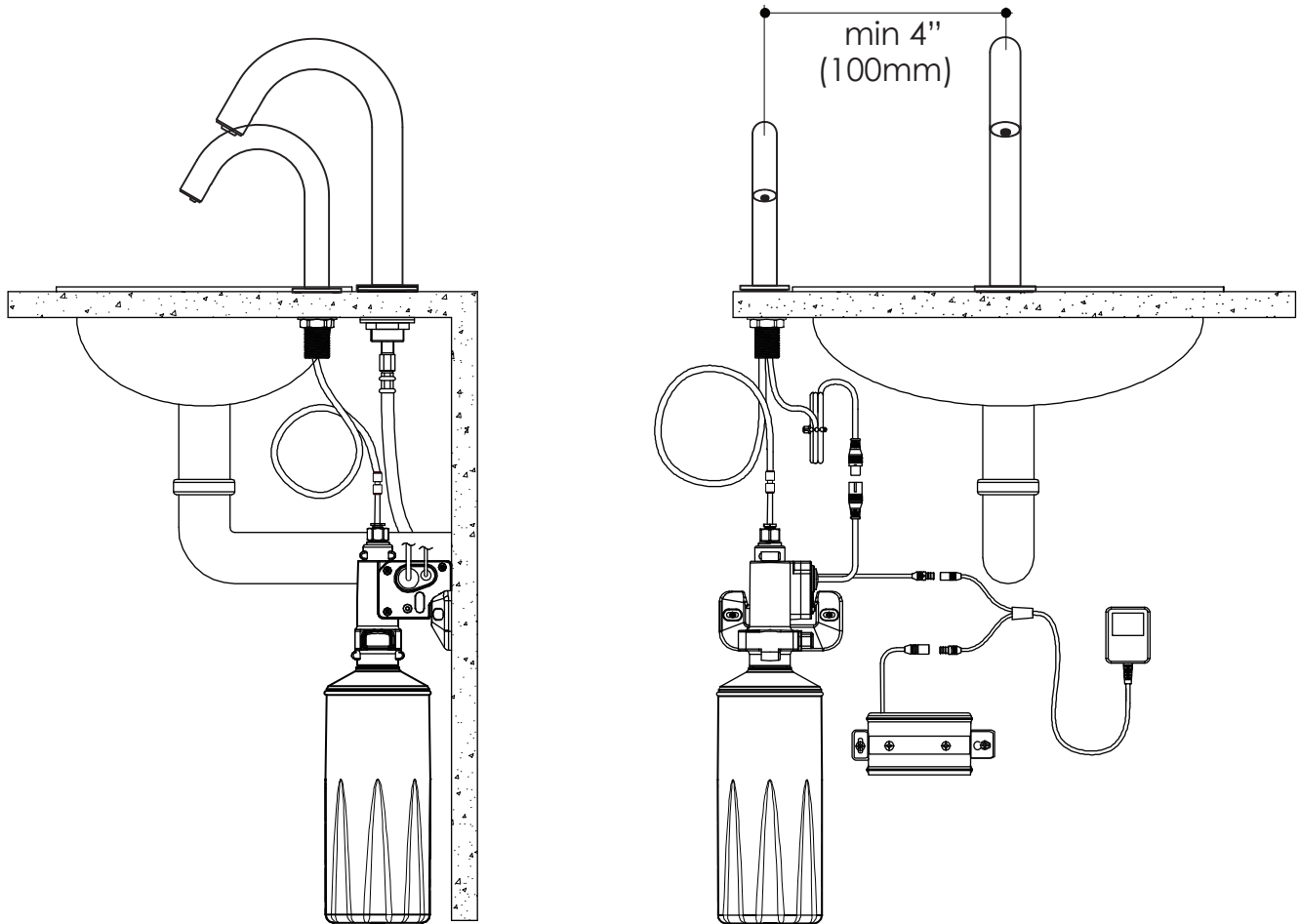
Installation Instructions/Instrucciones de Instalación

Technical Specifications

Item Code	EX13, EX23
Material	Brass
Operating voltage	AC: 120V DC 6V
Liquid capacity	0.5 gal (1.9L)
Temperature	Normal temperature
Default sensing distance	3" (8cm)
Liquid soap viscosity	1000-3500 cPs
Soap volume discharge	≤ 0.07 oz (2mL)/level (4 levels)

Installation Diagram

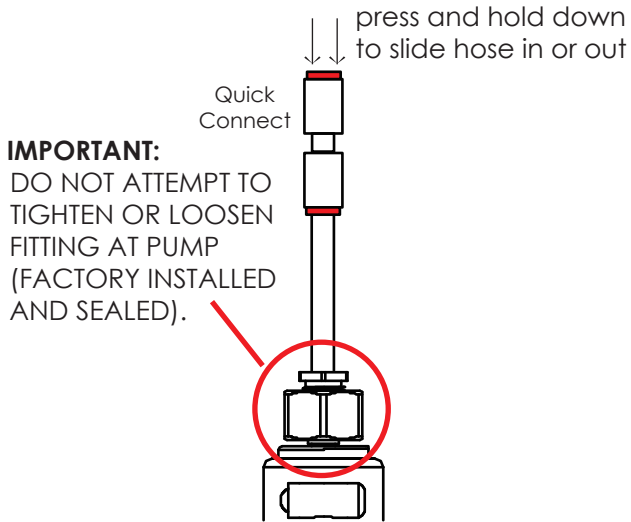
Mount and install components according to the diagram



Warnings:

- Do not install the soap dispenser facing a mirror-like surfaces or other electronic systems operated by an infra-red sensor
- Space for installation so that the user hands should not interfere with the soap dispenser sensor detection area while operating a nearby faucet or other objects
- The soap bottle and control box must be accessible after installation

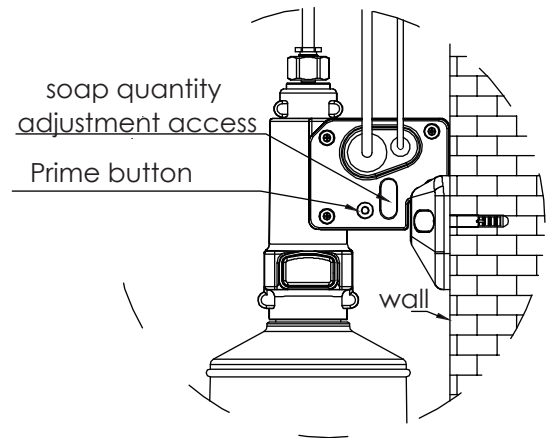
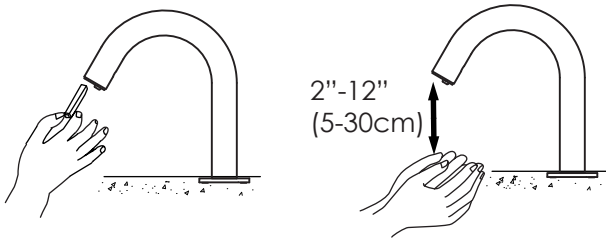
Installation Instructions/Instrucciones de Instalación



1. With all components mounted plug in the electricity sources and use the QUICK CONNECT to link the soap line. Press the end of the QUICK CONNECT while sliding the line in until it seats.
2. Fill the soap bottle with liquid soap (make sure soap viscosity is within recommended range).
3. Install the soap bottle into the mount/pump. Then press and hold the Prime button until soap exits the spout.
4. Place hands under spout and test the dispenser's operation.

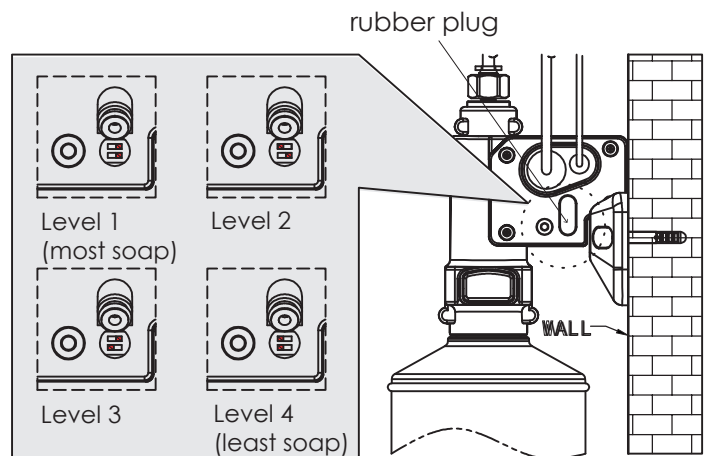
Sensor Range Adjustment

1. Place magnet in close proximity to the sensor until red light starts blinking
2. While the red light is pulsating, place and hold hands in the distance where the sensor will be activating water to flow. Factory setting is 3".
3. When the light stops blinking, the sensor is set to the new distance.



Adjust Quantity Dispensed

1. Remove the rubber plug in order to access the adjustment switches.
2. Remove the material covering the switches so they can be moved.
3. Move the switches to the desired level of soap quantity.
4. Push the rubber plug back into the access hole.



Troubleshooting

The soap can crystallize when it remains in the dispenser and, even more so, in the hoses, for a long time without flowing. If that happens, hoses need to be rinsed with warm water to clear them of the crystallized soap. Soap residues on stainless steel and other metal finishes should be removed immediately. When not removed properly (cleaning), soaps containing tensides can lead to corrosion of those metals.

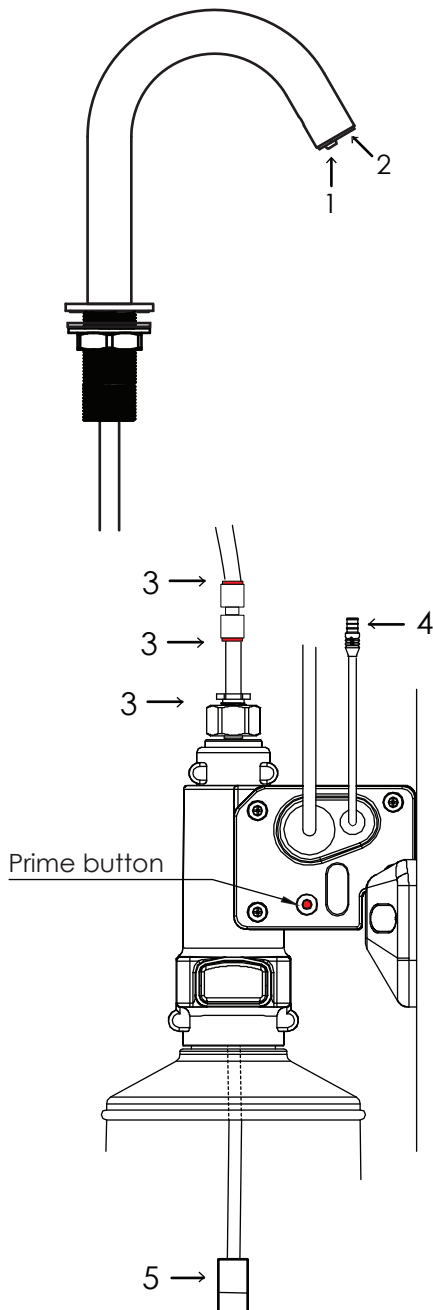
Check Pump:

A. Check electric supply and connections

Check that the AC outlet is live and that the adaptor is completely plugged in. Confirm batteries have life and check that all electric connections are completely connected and seated (4).

B. Check pump

Press the prime button on the pump housing. The motor should run while the button is being pressed. It might take up to 60 seconds for the priming process to remove all air from the system. Air bubbles will stop the soap from flowing if they are present in the soap line.



Symptoms:

Pump runs but no soap is coming from the spout.

- Confirm soap in bottle
- Visually inspect the tip of the spout for blockage (1). Debris or hardened soap may be blocking the line.
- Use warm water to clear the soap line

System works with Prime button but not auto.

- Check infrared sensor (2) for obstructions (dirt, scratches, object, ect).

System must be primed often / soap is backflowing

- Check soap line connections (3). Inspect these unions while priming the system. This area should be dry with no soap/bubbles or air leaking.
- Make sure the BACKFLOW Prevention valve (5) is installed in the end of the soap line inside the bottle.

If issues still persist after troubleshooting. Please contact LACAVA technical support.

Cleaning and Care

IMPORTANT NOTES!

1. Please keep the soap bottle free of any dirt and debris - it may block the access point and soap lines. If any impurities found in the soap, please replace it.
2. Remove liquid soap from the bottle if device not in use for longer periods of time, as soap dries up, solidifies, and clogs the lines and spout. Rinse all lines with warm water.
3. Refill the bottle when only 1/2" of soap left in the bottle.
4. Timely replace the batteries when they are dead.
5. To clean the soap dispenser:
 - unplug and remove the batteries, empty the soap bottle and use damp cloth to wipe and then dry the fixture with towel.
 - never immerse the pump battery box in water, it might damage the circuit board
 - wipe the battery box only with dry cloth
 - never use highly corrosive chemical solvent cleaning products that may damage the finish

Daily Use and Care

For best results, please care for this product in accordance with the following instructions:

- Only use warm water and a mild detergent (i.e. dishwashing soap) for cleaning.
- If another cleaner is used, check the label to make sure that it is safe for use on the material being cleaned and always test in an inconspicuous area first.
- Make sure to wipe any excess cleaners off with a damp sponge or cloth and then rinse with water.
- Dry the surface with a soft cloth until dry after each use.
- Never use abrasive materials or cleaners that contain ammonia, bleach or acid, since they can cause damage to the finished surface.

We would like to thank you for your purchase and are confident that you will be able to enjoy our products for many years to come!

Cuidado y Limpieza

Para mejores resultados, por favor cuide des este producto de acuerdo con las siguientes instrucciones:

- Sólo utilice agua tibia y un detergente suave (es decir, el jabón para lavar la vajilla) para la limpieza.
- Si se utiliza otro limpiador, revise la etiqueta para asegurarse de que es seguro para el uso del material para su limpieza y siempre prueba en un área discreta primero.
- Asegúrese de limpiar cualquier exceso de producto de limpieza con una esponja o un trapo húmedo y luego enjuague con agua.
- Seque la superficie con un paño suave hasta que se seque después de cada uso.
- Nunca use materiales abrasivos o productos de limpieza que contienen amoníaco, lejía o ácido, ya que pueden causar daños a la superficie acabada.

¡Nos gustaría darle las gracias por su compra y estamos seguros que usted podrá disfrutar de nuestros productos por muchos años!