

# LACAVA

## ZOOM deck-mount electronic faucet EX21/EX21.5/EX21.35

### Specifications:

<b>Installation:</b>	deck-mount 1-hole, touch-free
<b>Exterior Dimensions:</b>	H: 9 1/2" SPOUT: 5"
<b>Material:</b>	solid brass construction
<b>Water use:</b>	1 GPM (EX21), 0.5 GPM (EX21.5), 0.35 GPM (EX21.35)
<b>Power supply:</b>	AC/DC
<b>Finishes:</b>	CR - polished chrome PN - polished nickel 21 - brushed stainless steel NI - brushed nickel BG - brushed gold 44 - matte black TN - titanium MW - matte white (made to order)
<b>Cutout Size:</b>	Ø 1 3/8"
<b>Accessories included:</b>	power adapter, flexible supply line F 1/2" and battery box



### Features:

- Power supply options:
  - AC - transformer with a plug to electricity and/or
  - DC - battery pack for 4 x AA alkaline batteries (batteries not included)
    - on average lasts for 108,000 use cycles
- For cold or premixed water (mixer sold separately)
- 10 seconds metering cycles
- Sensing range: 2"-12" (5cm - 30cm) adjustable with a button on the side of the control box
- Sensing distance is set during installation - see manual
- Water pressure: 15-90 PSI, recommended 43.5 PSI
- Water temperature: 34-120° Fahrenheit (1-50° Celsius)

- touch-free safety from spreading undesirable pathogens
- commercial grade automated fixture
- low flow promotes water use savings

### Codes + Standards:

- Meets and exceeds applicable national codes and standards
- 1 GPM Watersense certified (EX21)
- 0.5 GPM CAL-Green compliant (EX21.5)
- 0.35 GPM LEED Credit (EX21.35)

**ADA**

compliant when installed to specific requirements of this regulation

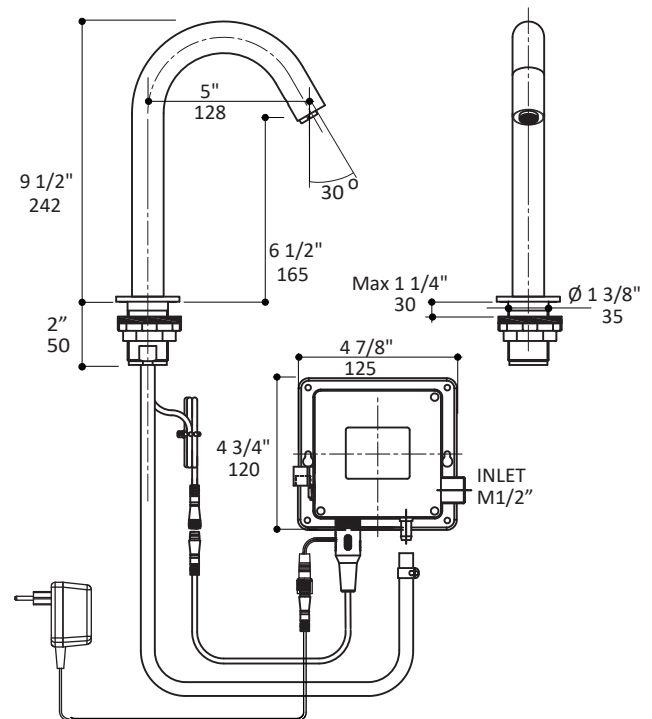


### Recommended Items:

- Replacement parts:
  - #4ABATPK - replacement battery pack
  - #EX11-SEN replacement sensor
- Mixing valves (sold separately)
  - #EX20A - mechanical mixing valve
  - #EX25A - integrated thermostatic valve
- American size grid drains
  - #7100-18 - without overflow holes
  - #7100-18OF - with overflow holes

LACAVA reserves the right to revise any dimension or information on this sheet without notice. Dimensions are nominal and may vary within an industry accepted tolerance of 1/4". Drawings provided herein are meant to give the user an idea of the product and are not made to scale. Location of plumbing is meant for reference, your specific application may vary.

Revised: 09/24/2021



### Specifications:

**Installation:** flexible wall mount  
**Exterior Dimensions:** W: 2 1/8" H: 6 5/8"  
**Material:** solid brass construction

**Connection IN:** 2 x M 1/2" G  
**Connection OUT:** F 1/2" G



### Features:

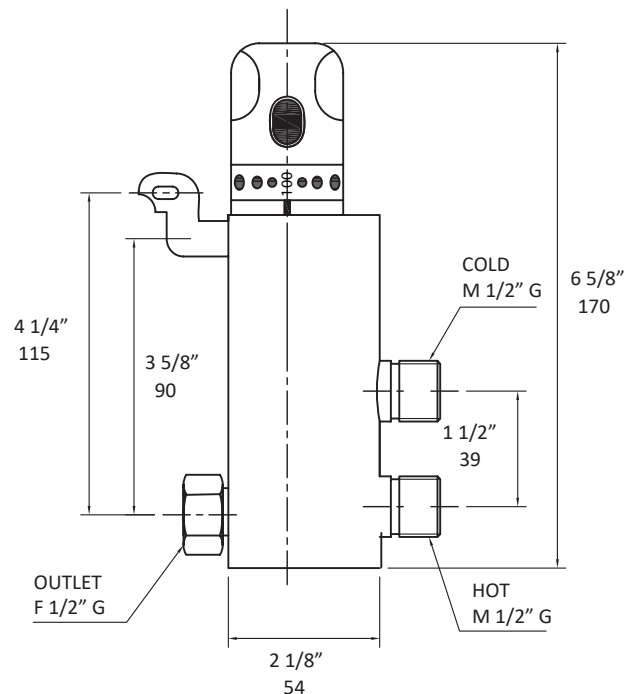
- integrated thermostatic valve
- includes built-in filters and check valves
- water flow rate : 6 GPM at 43.5 PSI
- standard water temperature range 68-118°F

### Codes + Standards:

- Meets and exceeds applicable national codes and standards including ASSE 1070.

### Recommended for Items:

- Wall-mount Zoom faucets: EX03A, EX04A, EX24
- Deck-mount Zoom faucets: EX10A, EX11, EX16, EX18, EX21, EX22
- Replacement part:
  - R039 Vernet thermostatic cartridge



# LACAVA®

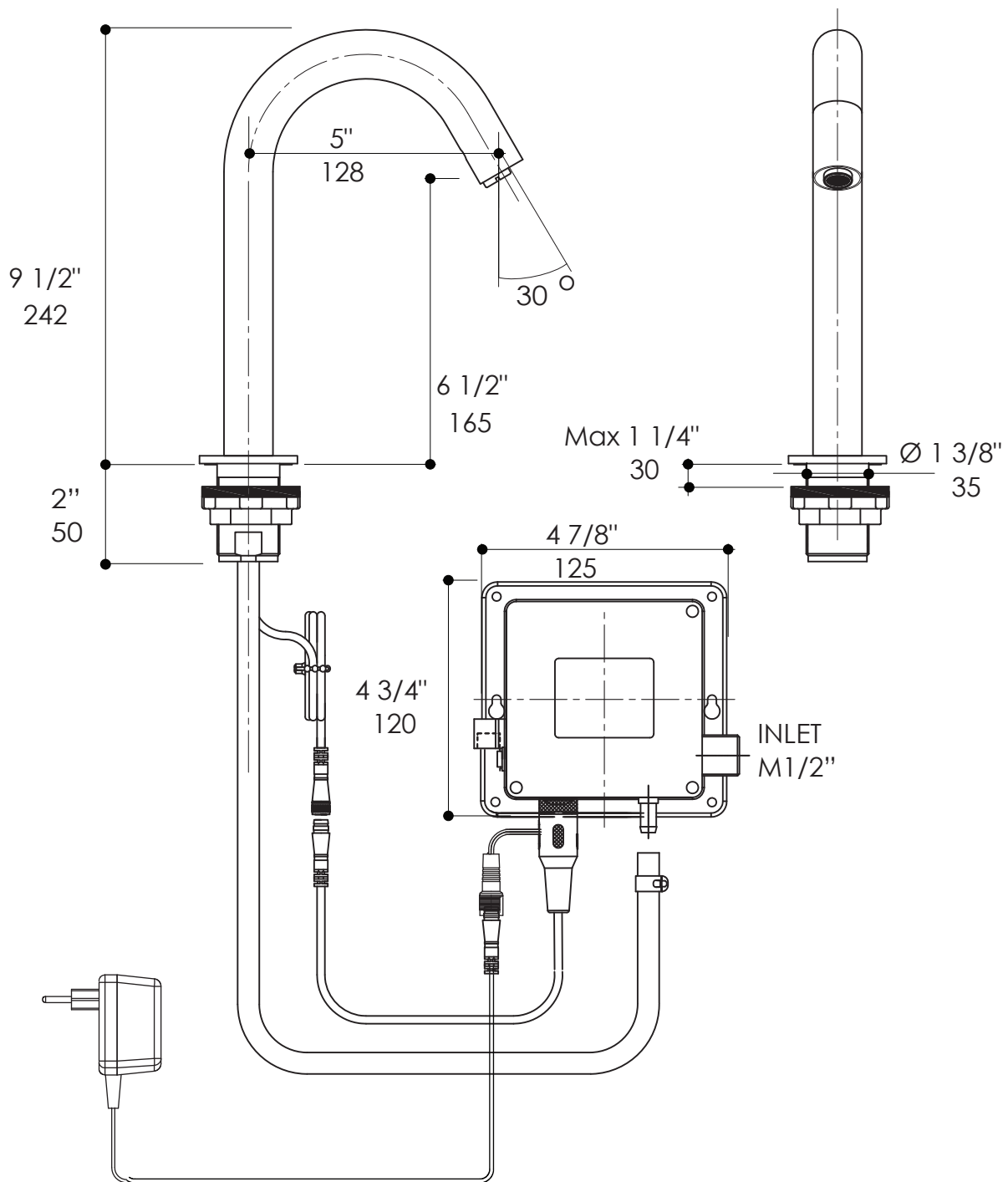
## Owner's Manual Zoom Faucet Item #EX21/EX21.5/EX21.35

### **Features:**

- Deck-mount single hole faucet
- For cold or premixed water (mixer sold separately)
- Electronic touch-free (infrared sensor) operation promotes germ free environment
- Brass construction
- Includes flexible supply line F 1/2"
- Water flow rate: 1 GPM (EX21), 0.5GPM (EX21.5), 0.35GPM (EX21.35)
- Water pressure: 15-90 PSI, recommended 43.5 PSI
- Water temperature: 34-120 degrees Fahrenheit (1-50 degrees Celsius)
- Sensing distance range: 2"-12" (5-30 cm)
- It can be installed to meet ADA compliance
- Automatic protection stops water after 60 seconds
- Power supply: AC-DC (battery back up)
- Meets and exceeds applicable national codes and standards
- 1 GPM Watersense certified (EX21)
- 0.5 GPM CAL-Green compliant (EX21.5)
- 0.35 GPM LEED Credit (EX21.35)



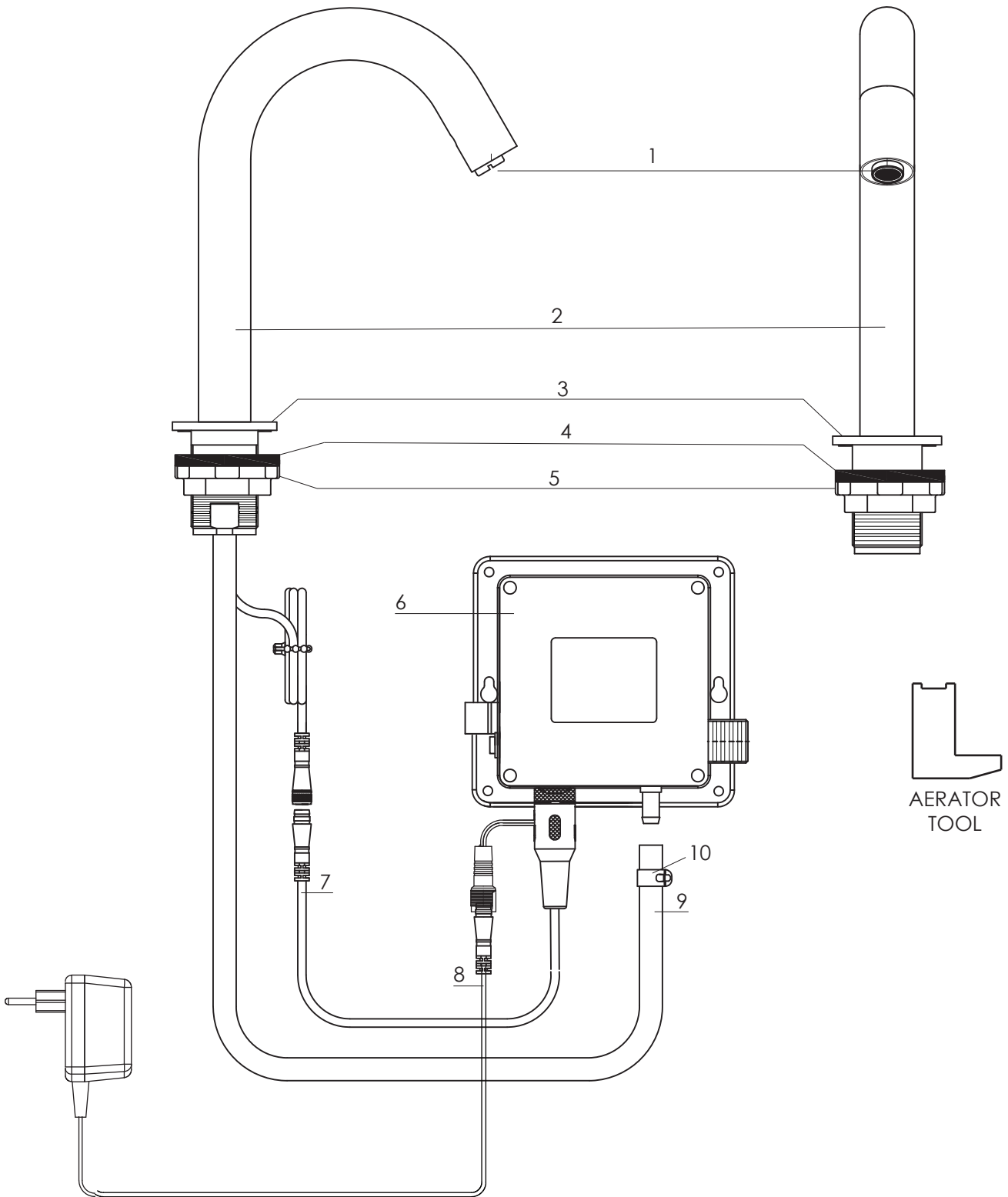
# Product Specifications/Especificaciones de Producto



Note:  
Drawings provided herein are meant to give the user an idea of the product and are not made to scale. The sizes in inches are rounded up to the nearest 1/16.

Nota:  
Los planos proporcionados en este documento tienen el propósito de dar al usuario una idea del producto y no están hechos a escala. Los tamaños de pulgadas se redondean al más cercano 1 / 16.

# Parts Breakdown/Desglosamiento de Partes

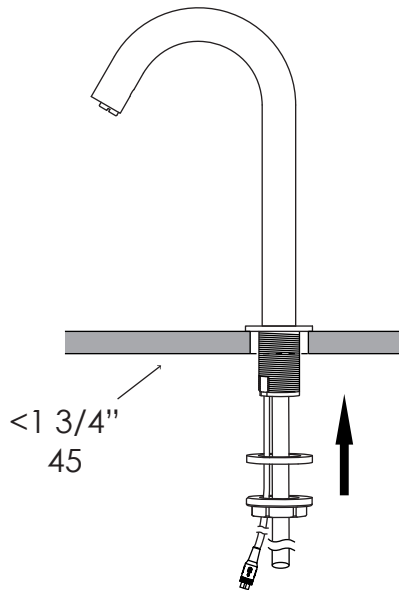


Note:  
Please reference this sheet and the corresponding part number when requesting parts.  
Nota:  
Por favor referirse a esta pagina y la parte correspondiente cuando ordene partes.

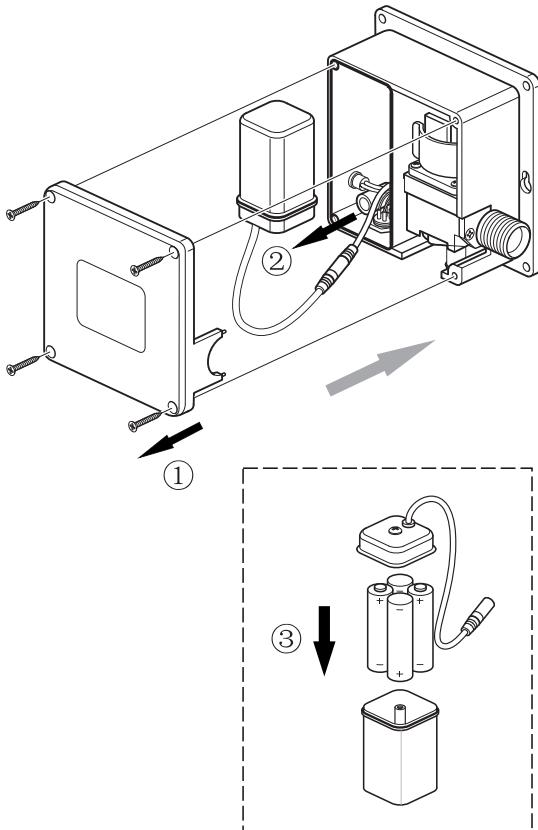
# Installation Instructions/Instrucciones de Instalación

## Warnings:

- Do not install the fixture facing a mirror-like surfaces or other electronic systems operated by an infra-red sensor
- Space for installation so that the user hands should not interfere with the sensor detection area while operating a nearby faucet or other objects
- The control box must be accessible after installation



1. Install faucet body into mounting hole and install washer and lock nut from underneath the mounting surface (avoid damaging mounting surface by over-tightening).

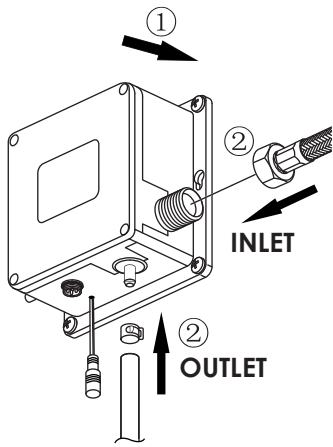


2. Remove the 4 Phillips screws holding the cover on the control box and remove the cover (1).

3. Unplug the battery box, uncrew the top, and install four AA batteries (2).

4. Close the battery box (3), plug it in and re-install in the control box cover.

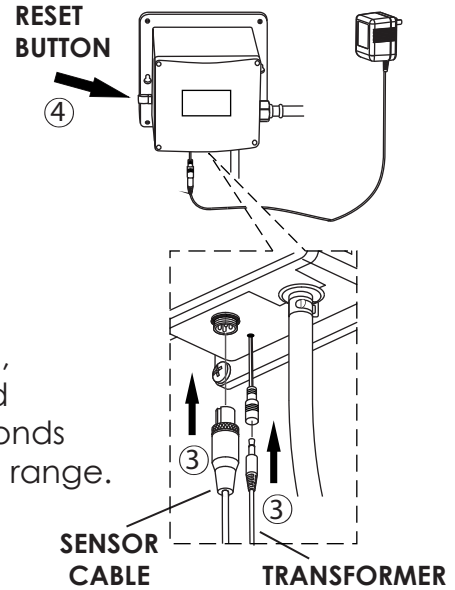
# Installation Instructions/Instrucciones de Instalación



5. Mount the control box in an accessible location (1).
6. Install supply line to the **inlet** and fasten the hose to the **outlet** using the buckle (2).

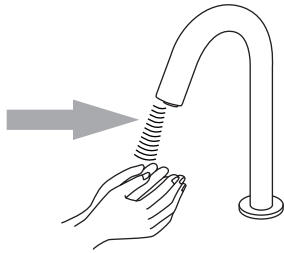
## Sensor Range Adjustment

7. Attach the sensor cable and transformer cable (3).
8. Now press and hold the reset button (4) for 3 seconds and release, place hands under the tip at desired sensing distance 2"-12", wait 20 seconds while the sensor determines the field range.
9. Once range is determined normal operation can begin.



## How to Use

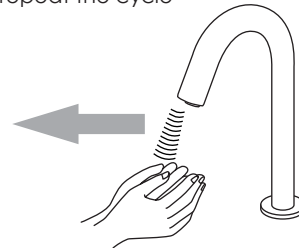
Place hands in the sensor field



Water runs for 10 seconds and then shuts down



Remove hands from sensing field for 3 seconds to repeat the cycle

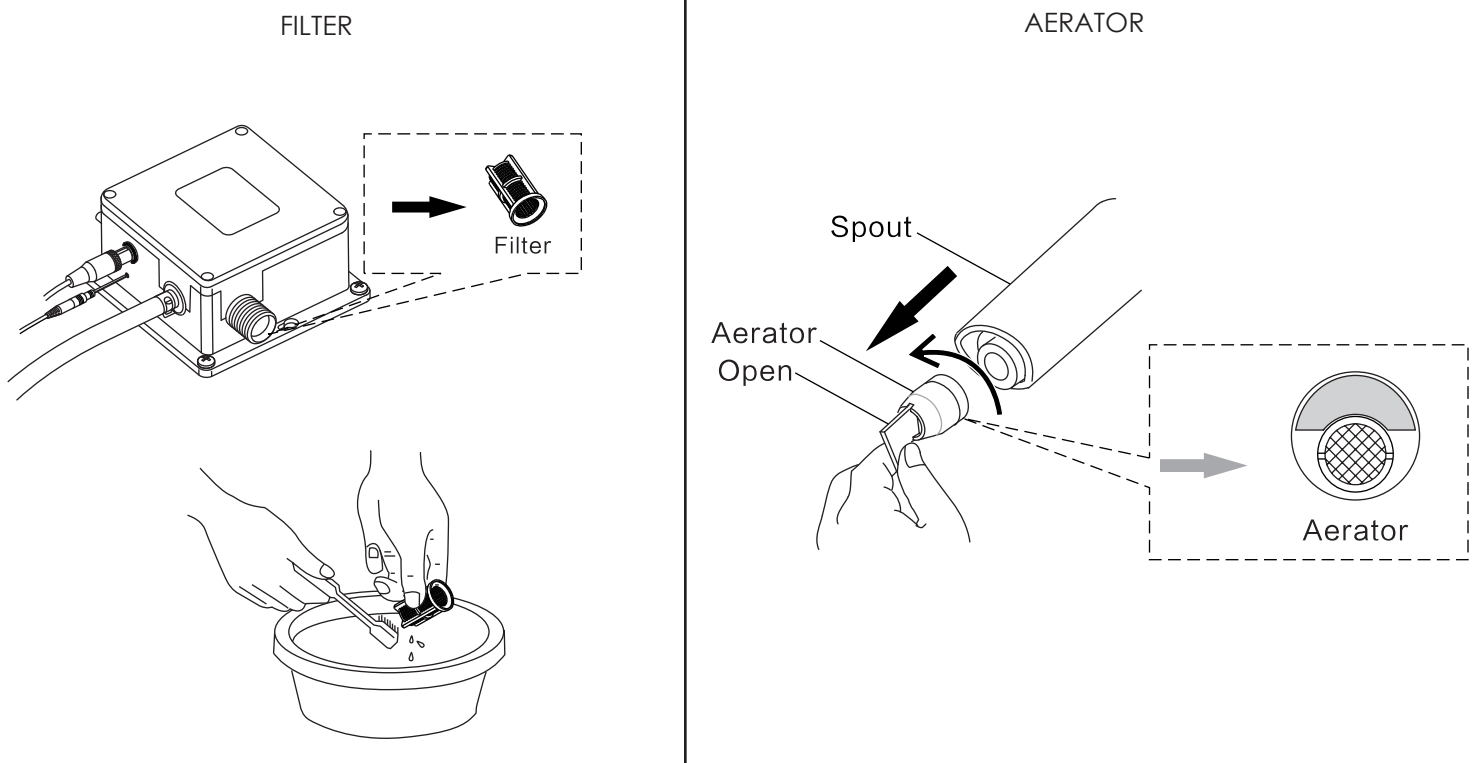


## Troubleshooting

PROBLEM	CAUSE	SOLUTION
No water running	The batteries are exhausted	Replace the batteries
	Water supply cut off	Check water supply lines
	Dirt in the filter	Clean the filter
	Water pressure too low	Increase the water pressure
Water does not turn off	Dirt in the sensor window	Clean the sensor
Very low water flow	Water supply is obstructed	Adjust water supply
	The filter is too dirty	Clean the filter
Too high water flow	Water pressure is too high	Adjust water pressure down
Short battery life	Incorrect batteries	Use 4 AA Alkaline batteries
The sensor light does not turn on	The batteries are exhausted	Replace the batteries
	The circuit board is wet or signal line is wet	Dry out all supply lines
	Poor connection to batteries	Check/plug in all connections
	The light is broken	Change the light or circuit board

# Maintenance

For best results, clean filter and aerator every 6 month or if the water flow is reduced.



## Cleaning and Care

For best results, please care for this product in accordance with the following instructions:

- Only use warm water and a mild detergent (i.e. dishwashing soap) for cleaning.
- If another cleaner is used, check the label to make sure that it is safe for use on the material being cleaned and always test in an inconspicuous area first.
- Make sure to wipe any excess cleaners off with a damp sponge or cloth and then rinse with water.
- Dry the surface with a soft cloth until dry after each use.
- Never use abrasive materials or cleaners that contain ammonia, bleach or acid, since they can cause damage to the finished surface.

*We would like to thank you for your purchase and are confident that you will be able to enjoy our products for many years to come!*

## Cuidado y Limpieza

Para mejores resultados, por favor cuide des este producto de acuerdo con las siguientes instrucciones:

- Sólo utilice agua tibia y un detergente suave (es decir, el jabón para lavar la vajilla) para la limpieza.
- Si se utiliza otro limpiador, revise la etiqueta para asegurarse de que es seguro para el uso del material para su limpieza y siempre prueba en un área discreta primero.
- Asegúrese de limpiar cualquier exceso de producto de limpieza con una esponja o un trapo húmedo y luego enjuague con agua.
- Seque la superficie con un paño suave hasta que se seque después de cada uso.
- Nunca use materiales abrasivos o productos de limpieza que contienen amoníaco, lejía o ácido, ya que pueden causar daños a la superficie acabada.

*¡Nos gustaría darle las gracias por su compra y estamos seguros que usted podrá disfrutar de nuestros productos por muchos años!*



# LACAVA®

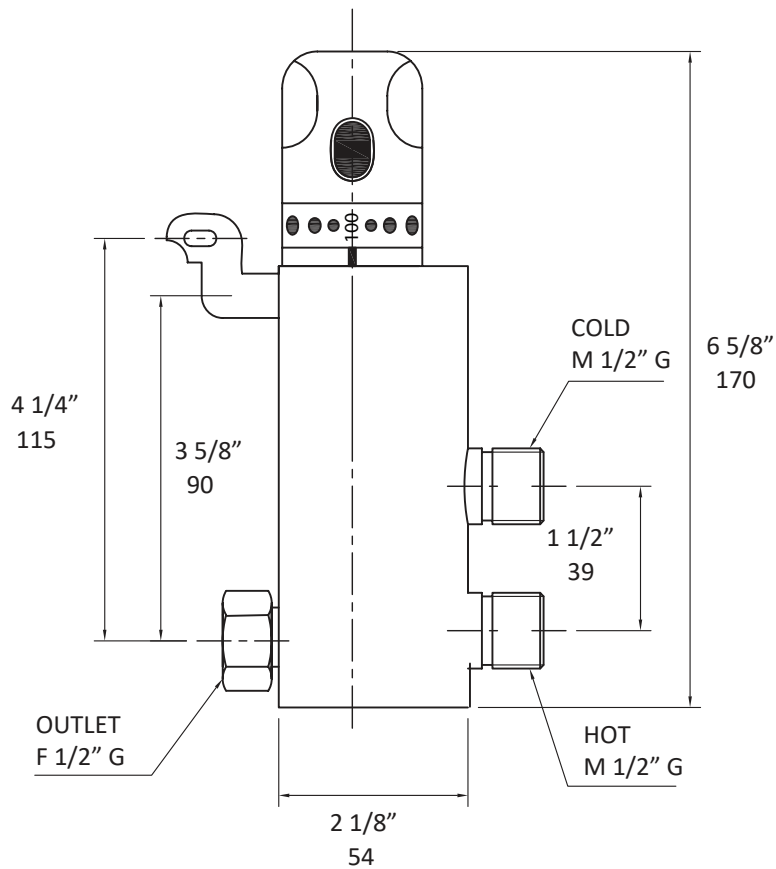
## Owner's Manual ZOOM Thermostatic Mixing Valve Item: EX25A

### **Features:**

- Wall-mount integrated thermostatic mixing valve
- Brass construction with Vernet cartridge
- Water flow rate : 6 GPM at 43.5 PSI
- Includes built-in filters and check valves
- Standard water temperature range 68-118°F
- Flexible installation

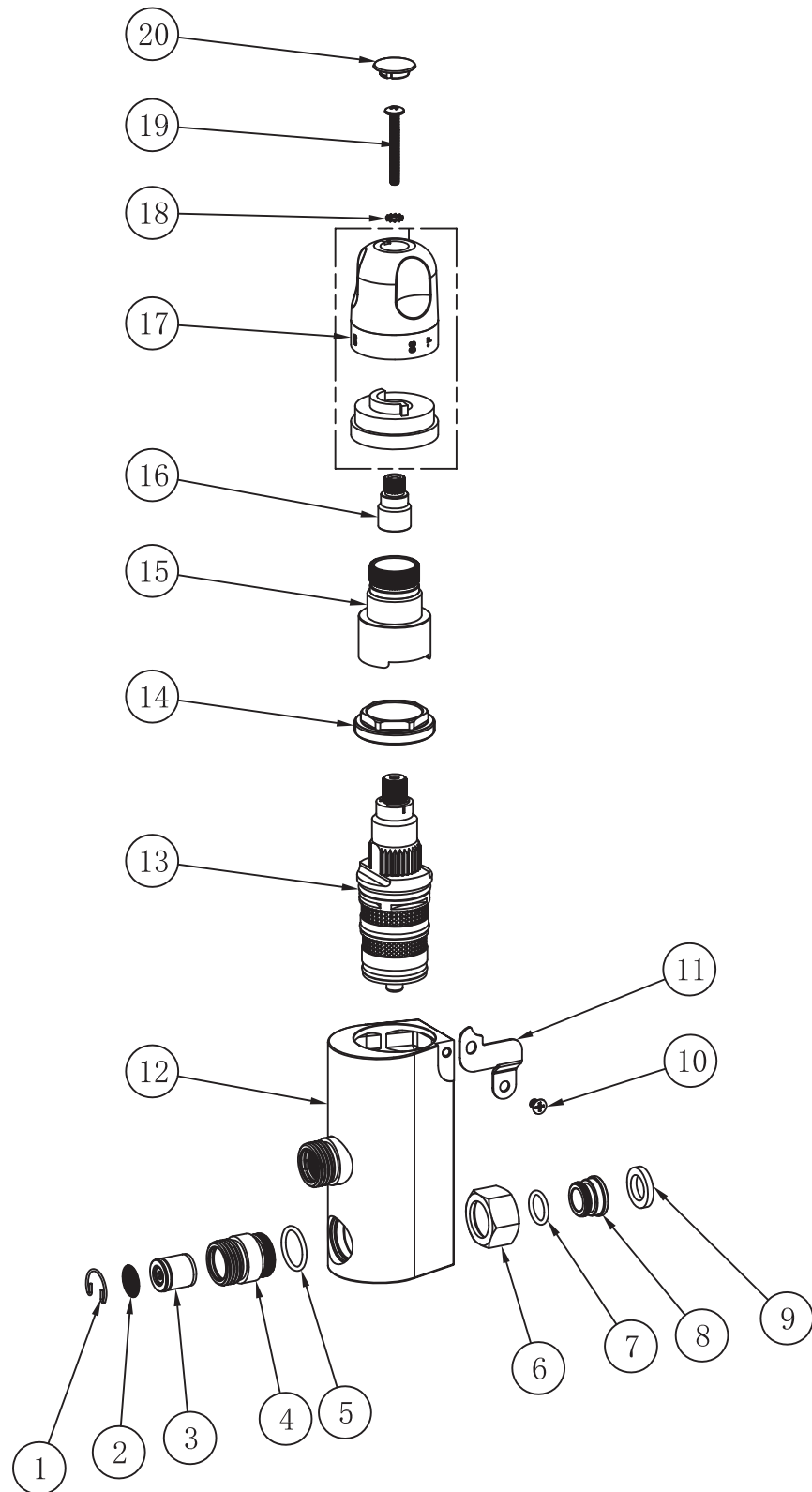


# Product Specifications/Especificaciones de Producto



Note:  
Drawings provided herein are meant to give the user an idea of the product and are not made to scale. The sizes in inches are rounded up to the nearest 1/16.

# Parts Breakdown/Desglosamiento de Partes



## Parts:

R039 thermostatic cartridge

## Note:

Please reference this sheet and the corresponding part number when requesting parts.

## Nota:

Por favor referirse a esta pagina y la parte correspondiente cuando ordene partes.

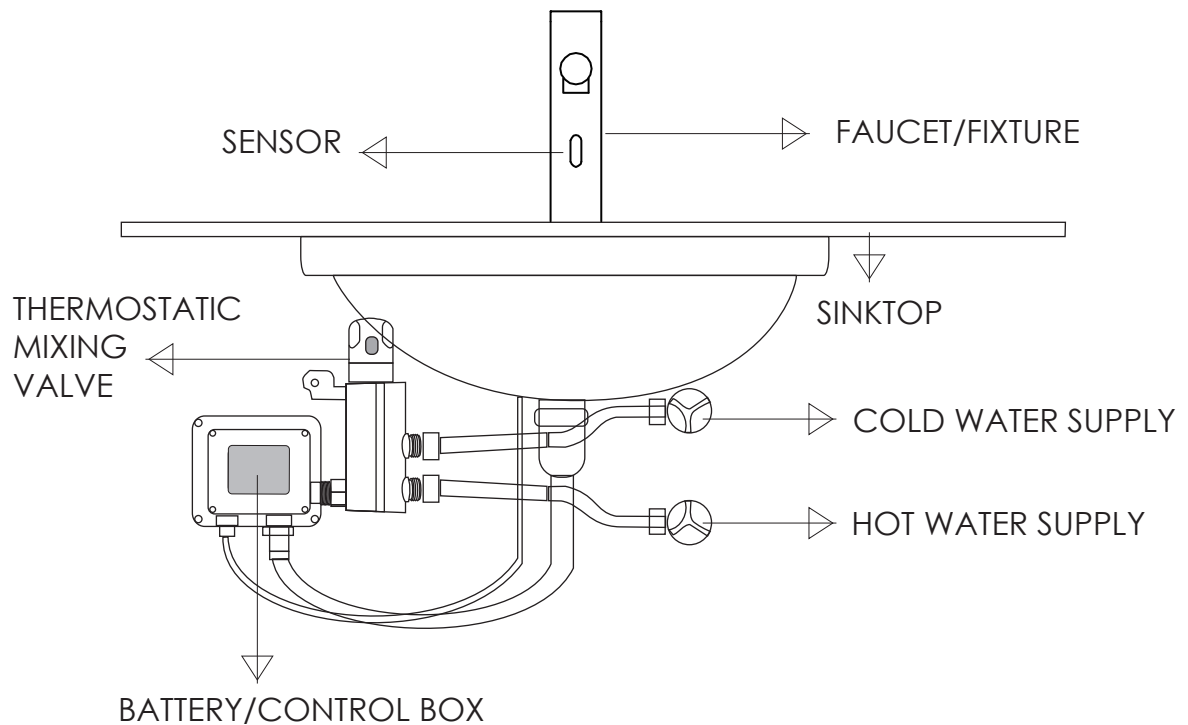
# Installation Instructions/Instrucciones de Instalación

## Technical Specifications

Item Code	EX25A
Material	Brass
Thermostatic cartridge	Vernet, part # R039
Flow rate	6 GPM at 43.5 PSI
Temperature range	68-118°F
IN connection	2 x M 1/2" G
OUT connection	F 1/2" G
Features included	built-in filters and check valves

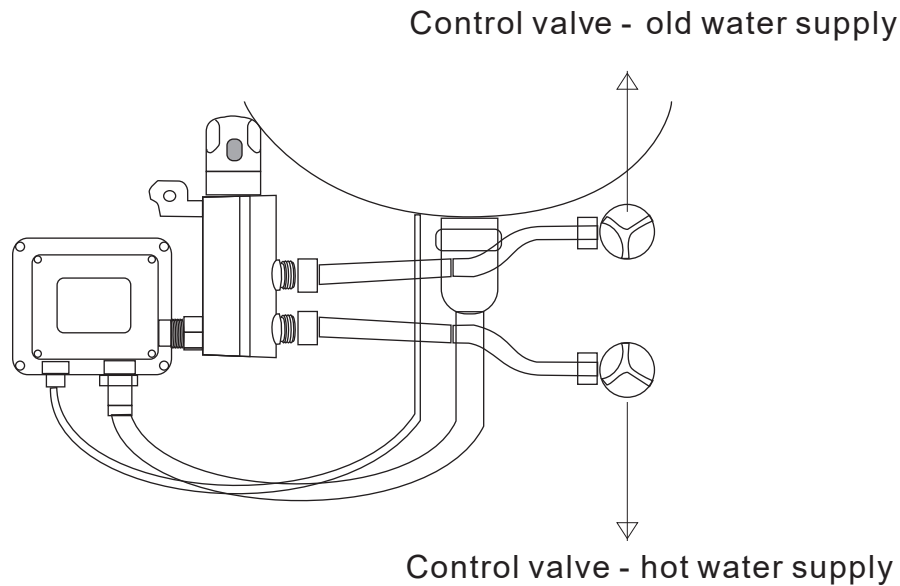
## Installation Diagram

Mount and install components according to the diagram



# Installation Instructions/Instrucciones de Instalación

1. Make connection to control box and hot and cold water supply as indicated in the diagram, test for leaks.
2. When cold or hot water supply are suddenly cut off, water flow will stop automatically to prevent scalding.



## **Warnings:**

- Factory temperature setting of 100°F can be adjusted by turning the knob to higher or lower temperature as indicated by markings.
- The red button is a safety stopper for 100°F, it needs to be pressed down to bypass the safety limit and turn the knob to a higher temperature. Max temperature limit for mixed water output is 118°F.
- Recommended hot water supply is 150°F and should not exceed 185°F.
- Recommended supply water pressure is 43.5 PSI, range limits 14-80 PSI.

# Cleaning and Care

For best results, please care for this product in accordance with the following instructions:

- Only use warm water and a mild detergent (i.e. dishwashing soap) for cleaning.
- If another cleaner is used, check the label to make sure that it is safe for use on the material being cleaned and always test in an inconspicuous area first.
- Make sure to wipe any excess cleaners off with a damp sponge or cloth and then rinse with water.
- Dry the surface with a soft cloth until dry after each use.
- Never use abrasive materials or cleaners that contain ammonia, bleach or acid, since they can cause damage to the finished surface.

*We would like to thank you for your purchase and are confident that you will be able to enjoy our products for many years to come!*

# Cuidado y Limpieza

Para mejores resultados, por favor cuide des este producto de acuerdo con las siguientes instrucciones:

- Sólo utilice agua tibia y un detergente suave (es decir, el jabón para lavar la vajilla) para la limpieza.
- Si se utiliza otro limpiador, revise la etiqueta para asegurarse de que es seguro para el uso del material para su limpieza y siempre prueba en un área discreta primero.
- Asegúrese de limpiar cualquier exceso de productos de limpieza con una esponja o un trapo húmedo y luego enjuague con agua.
- Seque la superficie con un paño suave hasta que se seque después de cada uso.
- Nunca use materiales abrasivos o productos de limpieza que contienen amoníaco, lejía o ácido, ya que pueden causar daños a la superficie acabada.

*¡Nos gustaría darle las gracias por su compra y estamos seguros que usted podrá disfrutar de nuestros productos por muchos años!*