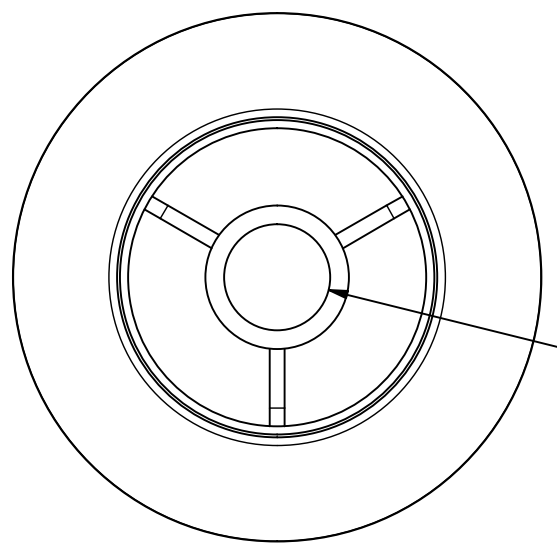


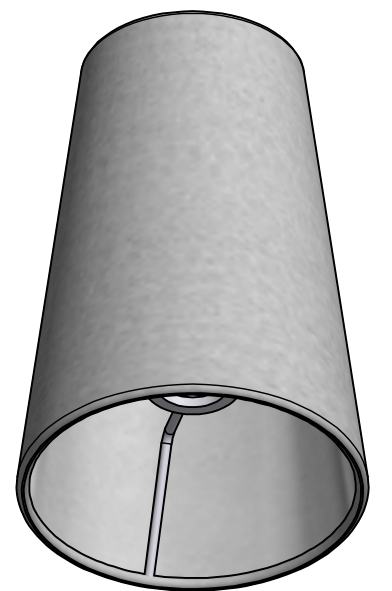
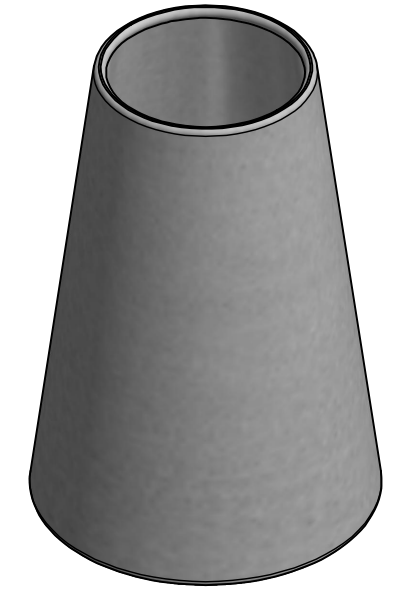
REVISION HISTORY

REV	DESCRIPTION	DATE	APPROVED
1	SHADE ATTACHMENT THREAD UPDATED AS SOCKET REQUIRES NON STANDARD THREAD MINOR DIAMETER.	10/25/2021	JAO
2	INDIVIDUAL PACKAGING NOTE ADDED TO MATCH BLACK VERSION B848 DRAWING.	12/30/2021	JAO
3	Removed thread feature, replaced with 28mm ID for slip fit.	8/2/2022	BM



Ø1.10 THRU
[Ø28.0 THRU]

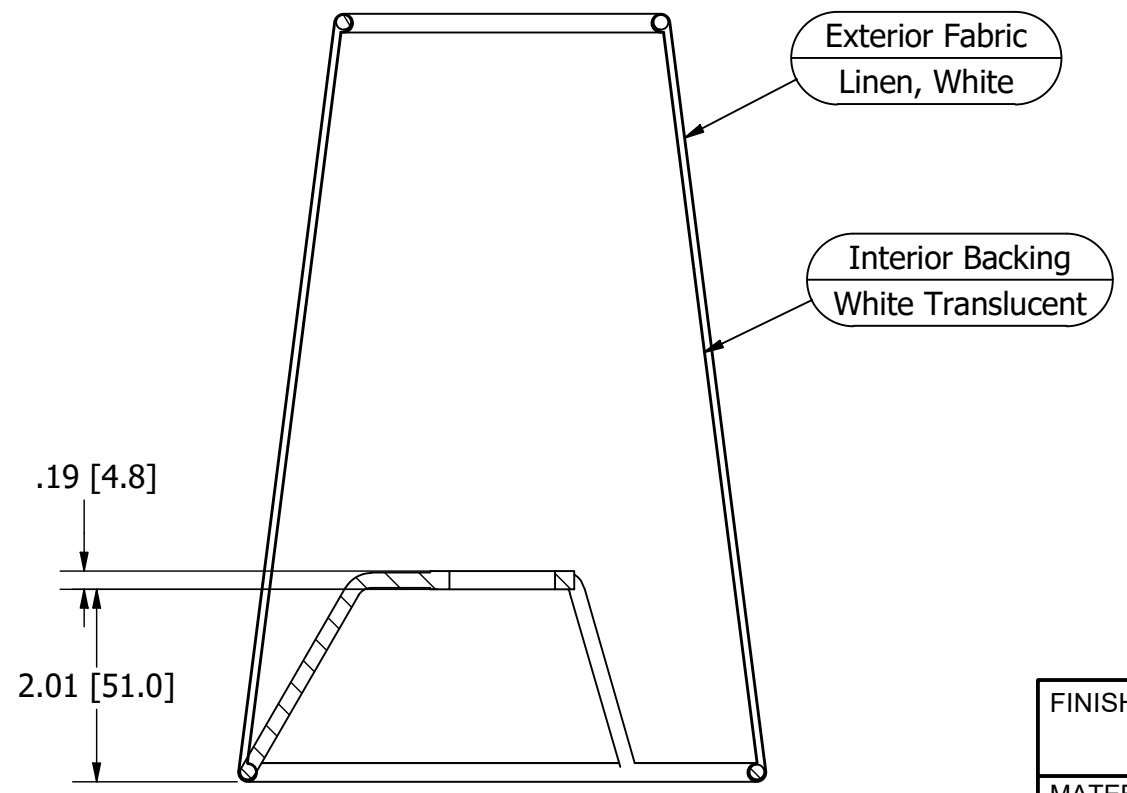
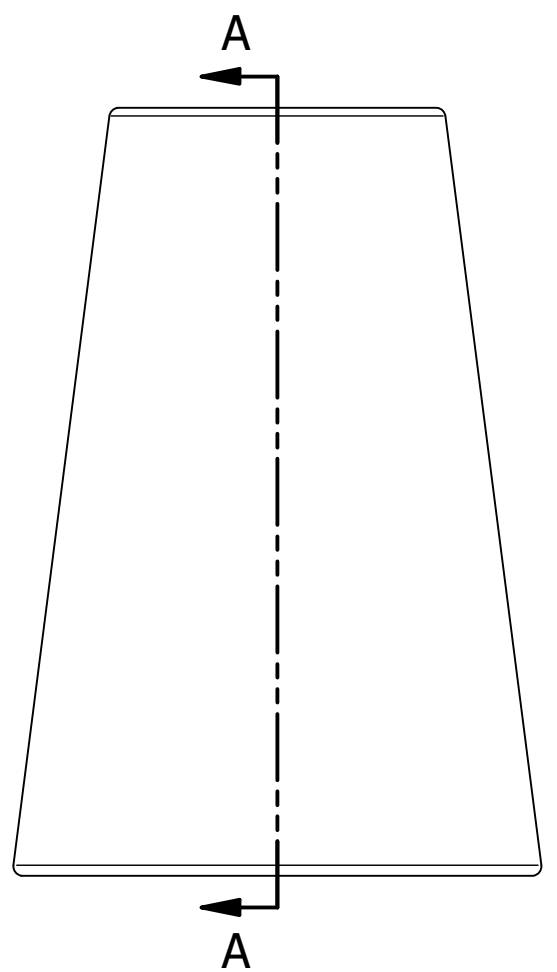
NOTE: ID HERE SHOULD SLIP OVER MALE THREAD OF PLASTIC SOCKET **Z100532/SUN-LITE E12V** - VENDOR PLEASE CONFIRM SNUG FIT.



NOTE: ENSURE COLOR TEMP OF SHADE WITH LINER IS WARM (SEE ADELIN SHADE). LINER AND LINEN MUST WITHSTAND BULB HEAT.

NOTE: PLEASE PACKAGE INDIVIDUALLY FOR UPS SHIP DIRECT TO CUSTOMER

SEE B0848 FOR REFERENCE



SECTION A-A
SCALE 1/2

ITEM # : B0782 -- --		REV 3
FINISH:	DESCRIPTION: Shade for Ansel 5.5in dia fabric white	
MATERIAL:	DRAWN BY: JAO	DATE: 6/13/2021
MATERIAL DESCRIPTION:	UNLESS NOTED DIMENSION ARE IN INCHES [MILLIMETERS]	TOLERANCES X.X ±0.1 [2.5] X.XX ±0.05 [1.27] X.XXX ±0.010 [0.25] ANGULAR ±1°
WEIGHT lbs [kg] : 0.303 lbmass	SCALE: 1/2	DO NOT SCALE DRAWING FOR DIMENSIONS
SHEET 1 OF 1		SHEET SIZE: B

