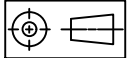

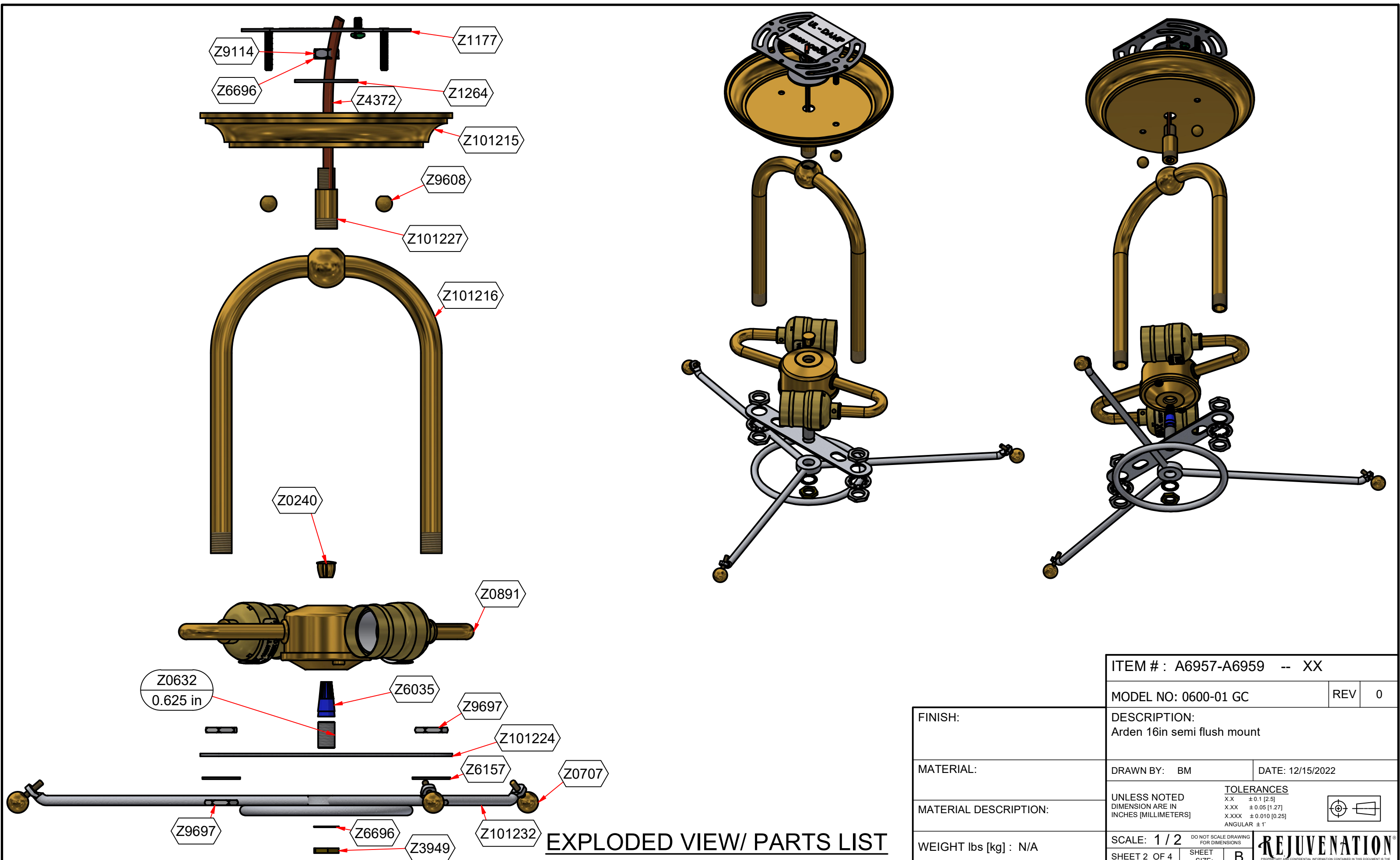


ASSEMBLY & ORTHOGRAPHIC

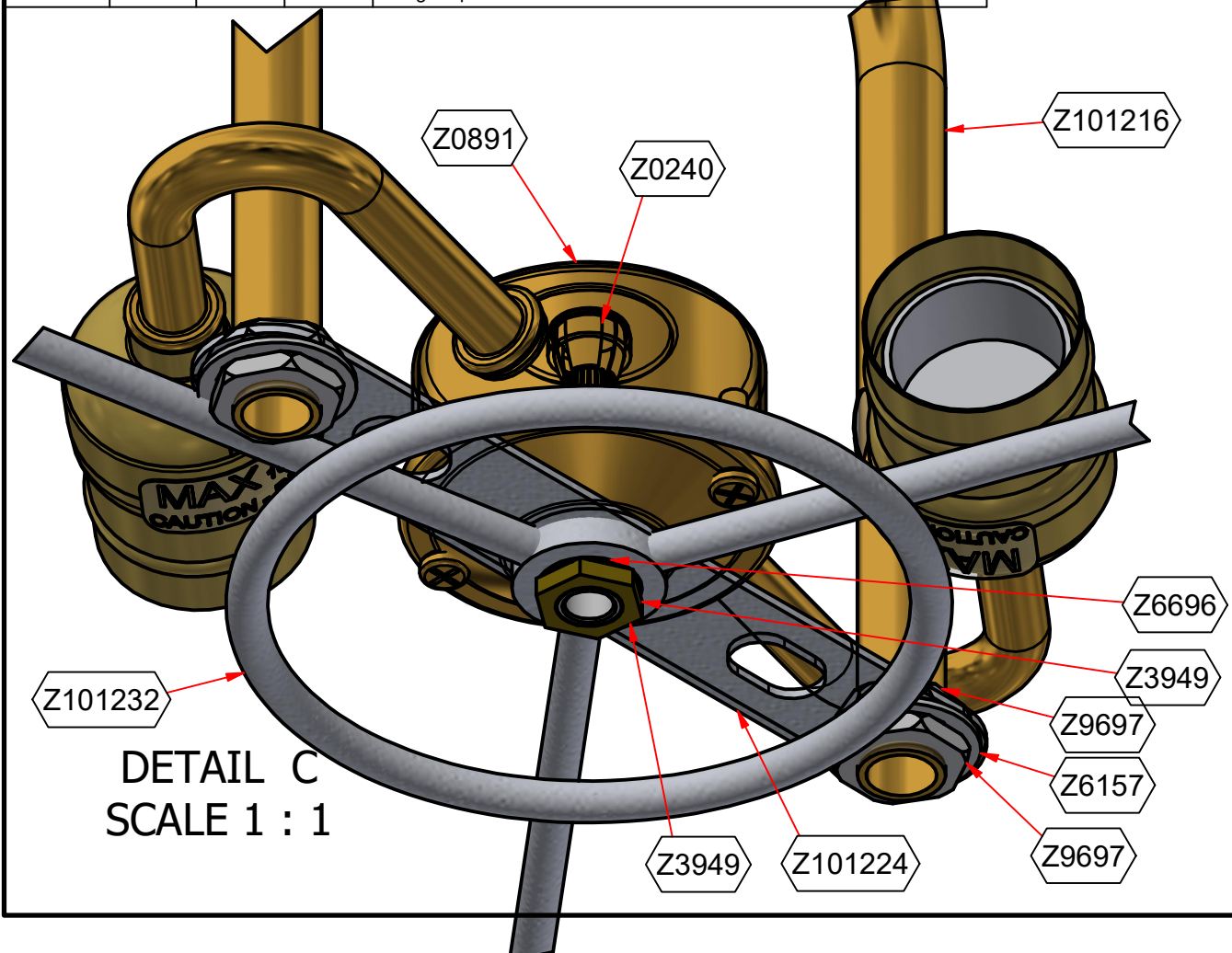
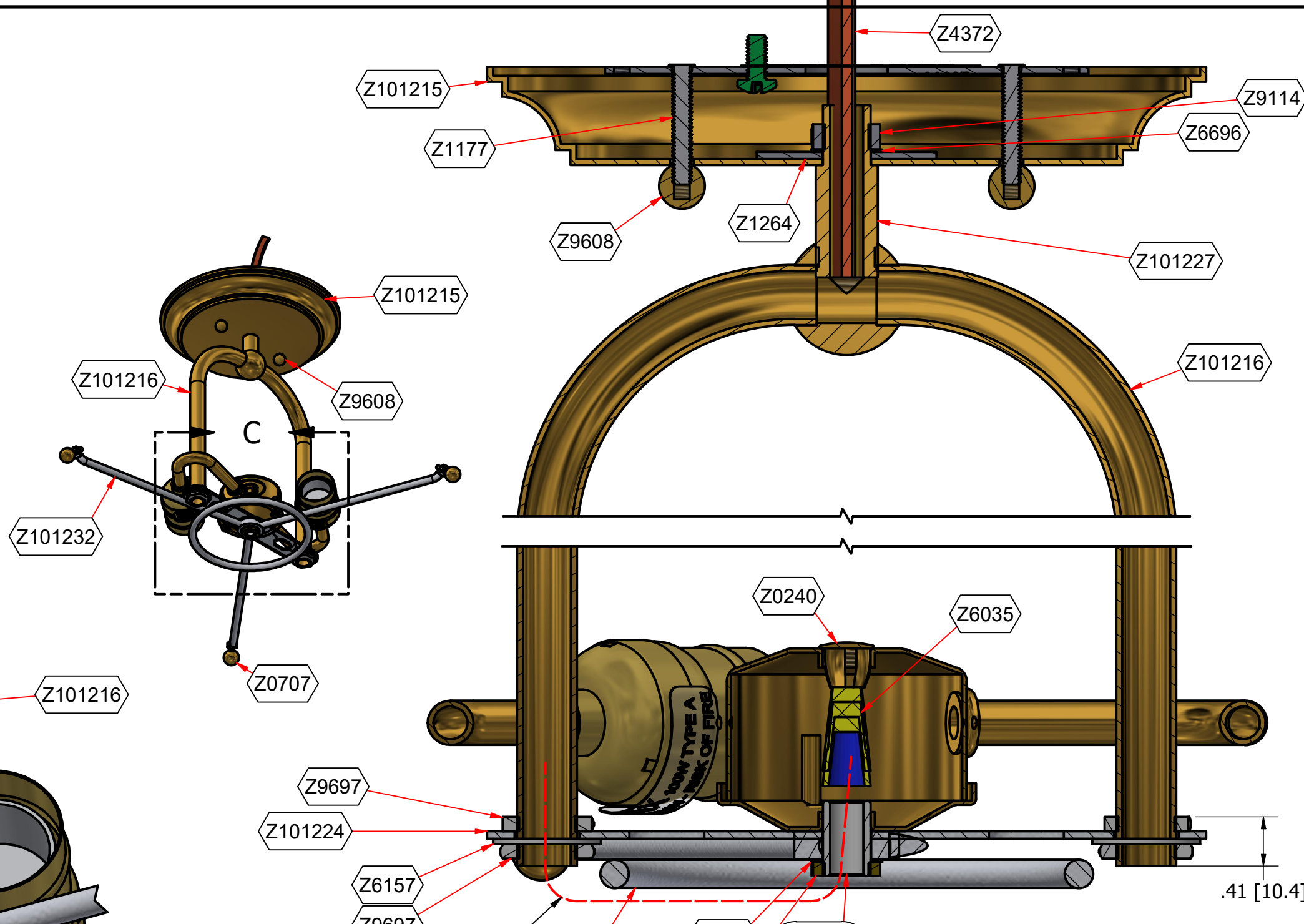
FINISH:		ITEM # : A6957-A6959 -- XX	
MATERIAL:		MODEL NO: 0600-01 GC	REV 0
MATERIAL DESCRIPTION:		DESCRIPTION: Arden 16in semi flush mount	
WEIGHT lbs [kg] : N/A		DRAWN BY: BM	DATE: 12/15/2022
DO NOT SCALE DRAWING FOR DIMENSIONS		TOLERANCES X.X ±0.1 [2.5] X.XX ±0.05 [1.27] X.XXX ±0.010 [0.25] ANGULAR ±1°	
SCALE: 1 / 3			
SHEET 1 OF 4		SHEET SIZE: B	



EXPLODED VIEW/ PARTS LIST

FINISH:		ITEM # : A6957-A6959 -- XX	
MATERIAL:		MODEL NO: 0600-01 GC	REV 0
MATERIAL DESCRIPTION:		DESCRIPTION: Arden 16in semi flush mount	
WEIGHT lbs [kg] : N/A		DRAWN BY: BM	DATE: 12/15/2022
		UNLESS NOTED DIMENSION ARE IN INCHES [MILLIMETERS]	
		TOLERANCES X.X ±0.1 [2.5] X.XX ±0.05 [1.27] X.XXX ±0.010 [0.25] ANGULAR ±1°	
		SCALE: 1/2	DO NOT SCALE DRAWING FOR DIMENSIONS
		SHEET 2 OF 4	SHEET SIZE: B
REJUVENATION <small>PROPRIETARY AND CONFIDENTIAL INFORMATION CONTAINED IN THIS DOCUMENT IS THE PROPERTY OF REJUVENATION, INC.</small>			

ITEM #	UNIT QTY	ITEM QTY	DAX SIZE	DESCRIPTION	PLATED NUMBER
Z0240	1	1	--	Plug 1/8 ip dia brass plated	
Z0632	1	1	0.625 in	Nipple 1/8-27 nps x 0.625 in	
Z0707	1	3	--	Ball solid brass 1/2in x 8/32 stud	
Z0891	1	1	--	Socket assembly double	
Z1177	1	1	--	Crossbar universal with 8-32 x 1in studs 2.75in spacing	
Z1264	1	1	--	Washer 1-1/2 x 1/8 ip steel	
Z1759	1	1	--	Locknut knurled 1 in x 1/4 ip	Z7013
Z1931	1	2	--	Label 100 w type A on specified film	
Z2183	1	1	--	Coupling w/side holes 3/4 h x 3/4 od x 1/4 ip	Z5194
Z2989	1	2	--	Locknut straight 3/4in x 1/4 ip heavy plain	Z6746
Z3949	1	1	--	Nut hex 1/8 ip thin brass	
Z4372	1	1	--	Wire brown 18/2 105c 300v SPT-1	n/a
Z4639	1	1	--	REJUV_LOGO-Rejuvenation logo	
Z4693	1	1	--	SUITABLE FOR DAMP LOCATION	
Z6035	1	2	--	Wirenut blue 105C 2to4/18ga 72B	
Z6157	1	2	--	Washer lock 1/4 ip zinc	
Z6696	1	2	--	Washer lock 1/8 ip zinc	
Z9114	1	1	--	Nut Hex 1/8IP Zinc	
Z9608	1	2	--	Ball turned 3/8in with 8-32 tapped hole brass	
Z9697	1	4	--	Nut hex 1/4 ip x .12 zinc	--
Z9778	1	1	--	Bushing 1/4-18 nps internal short steel	
Z101215	1	1	--	Canopy 6in arden 2 holes brass	
Z101216	1	1	--	Arm fork 0.5in tube with ball joint 6in brass	
Z101224	1	1	--	Strap hanger 6 x 0.5in steel	
Z101227	1	1	--	Tube 1.25in 1/4ip to 1/8ip brass	
Z101232	1	1	--	Hanger spider weldment 14.5in 8-32 holes steel	



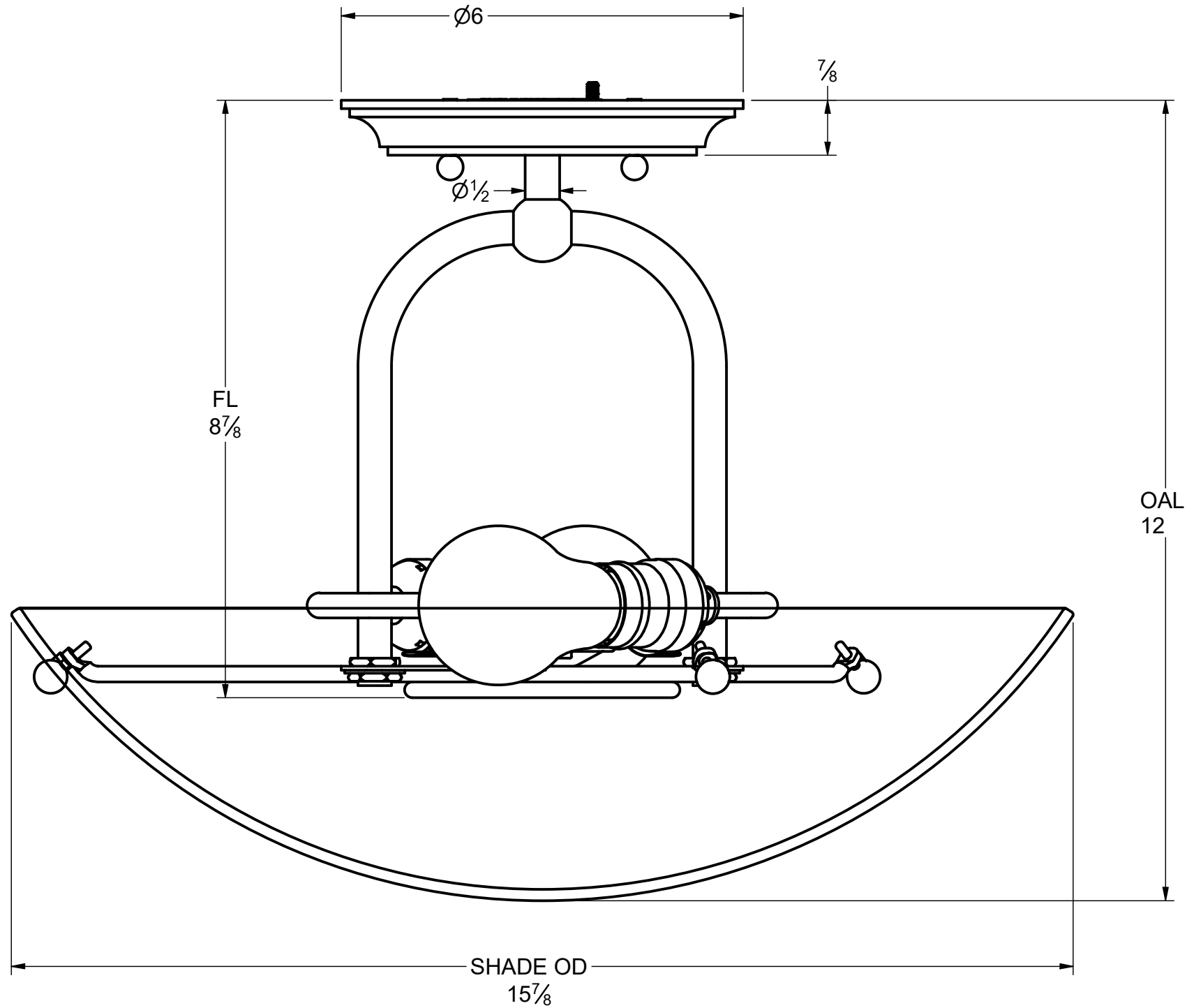
NOTE: ROUTE WIRE TIGHT/HIGH TO REDUCE SHADOWS ON INSTALLED SHADE

DETAIL/ SECTIONS

FINISH:	
MATERIAL:	
MATERIAL DESCRIPTION:	
WEIGHT lbs [kg] :	N/A
SECTION A-A	
SCALE 1 : 1	

ITEM # : A6957-A6959 -- XX	
MODEL NO: 0600-01 GC	REV 0
DESCRIPTION: Arden 16in semi flush mount	
DRAWN BY: BM	DATE: 12/15/2022
UNLESS NOTED DIMENSION ARE IN INCHES [MILLIMETERS]	TOLERANCES X.X ±0.1 [2.5] X.XX ±0.05 [1.27] X.XXX ±0.010 [0.25] ANGULAR ±1°
SCALE: 1 / 4	DO NOT SCALE DRAWING FOR DIMENSIONS
SHEET 3 OF 4	SHEET SIZE: B
REJUVENATION <small>PROPRIETARY AND CONFIDENTIAL INFORMATION CONTAINED IN THIS DOCUMENT IS THE PROPERTY OF REJUVENATION, INC.</small>	

PRODUCT BUILDER; DIMENSIONS AND SPECIFICATIONS



SPECIFICATIONS	
FIXTURE TYPE	SEMIFLUSH
UL LOCATION	DAMP
UL LISTED	YES
LIGHT SOURCE	E26
WATTAGE	100 W max ea
NO. OF SOCKETS	2
FIXTURE FINISHES	OB, CP, LQ
VAULTING	none
OVERALL LENGTH	12
SHADE COLOR	CASED WHITE

ITEM # : A6957-A6959 -- XX													
MODEL NO: 0600-01 GC	REV 0												
FINISH:	DESCRIPTION: Arden 16in semi flush mount												
MATERIAL:	DRAWN BY: BM DATE: 12/15/2022												
MATERIAL DESCRIPTION:	UNLESS NOTED DIMENSION ARE IN INCHES [MILLIMETERS]												
WEIGHT lbs [kg] : N/A	<table border="0"> <tr> <td colspan="2">TOLERANCES</td> <td rowspan="4"> </td> </tr> <tr> <td>X.X</td> <td>±0.1 [2.5]</td> </tr> <tr> <td>X.XX</td> <td>±0.05 [1.27]</td> </tr> <tr> <td>X.XXX</td> <td>±0.010 [0.25]</td> </tr> <tr> <td colspan="2">ANGULAR ±1°</td> <td></td> </tr> </table>	TOLERANCES			X.X	±0.1 [2.5]	X.XX	±0.05 [1.27]	X.XXX	±0.010 [0.25]	ANGULAR ±1°		
TOLERANCES													
X.X	±0.1 [2.5]												
X.XX	±0.05 [1.27]												
X.XXX	±0.010 [0.25]												
ANGULAR ±1°													
SCALE: 1/2													
SHEET 4 OF 4 SHEET SIZE: B													