

# Arden Semiflush Collection

skill level ● 2 handy persons

## installation instructions

1. If your fixture has the white **shade hanger** separate from fixture, install onto **threaded tube** as shown using **washer** and **knurled nut**. NOTE: Do not over tighten, and rotate hanger such that arms will not interfere with bulb.

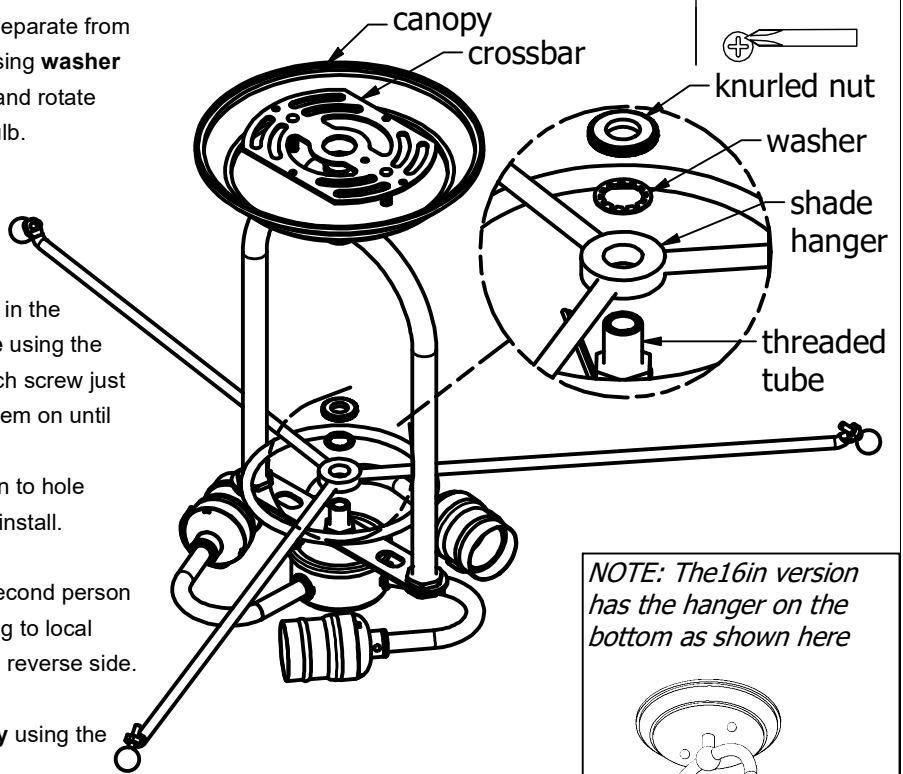
2. Remove **crossbar** and install to j-box with threaded **studs** facing down.

3. Open shade box but leave shade supported in the packaging. Very gently attach **fixture** to **shade** using the three **decorative screws** as shown. Install each screw just over half way, then return to finish threading them on until just stop on glass - DO NOT over tighten.

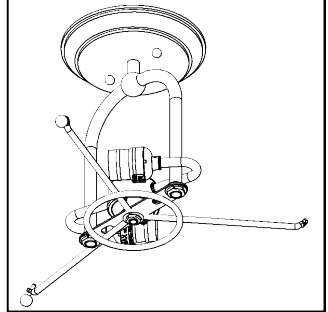
NOTE: If arm of shade hanger does not align to hole perfectly, it can be bent slightly to allow screw install.

4. While one person lifts **fixture and shade**, second person can now complete wiring connections according to local electrical code. See "Important Information" on reverse side.

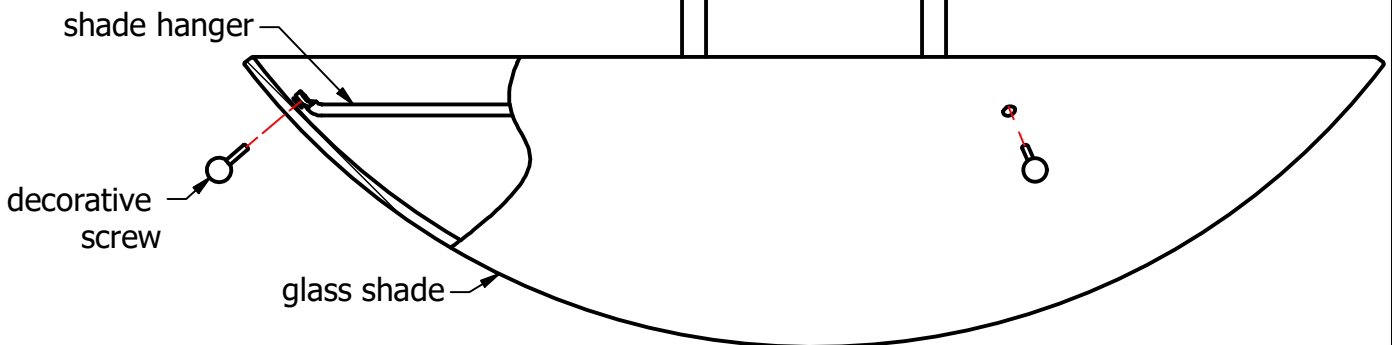
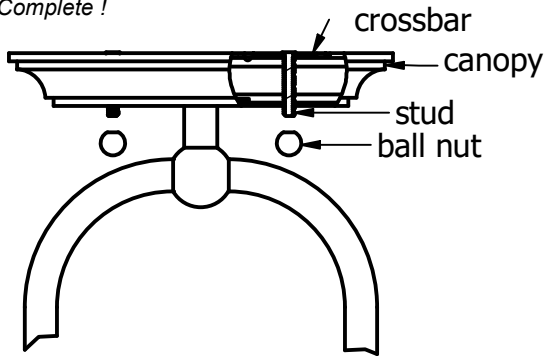
5. Attach fixture to **crossbar studs** at **canopy** using the two **ball nuts** as shown.



NOTE: The 16in version has the hanger on the bottom as shown here



Complete !



# REJUVENATION

2550 N.W. Nicolai Street, Portland Oregon 97210 Customer Service: 888-401-1900 rejuvenation.com