

REJUVENATION

Owner's Manual ARMOSA Toilet

Features:

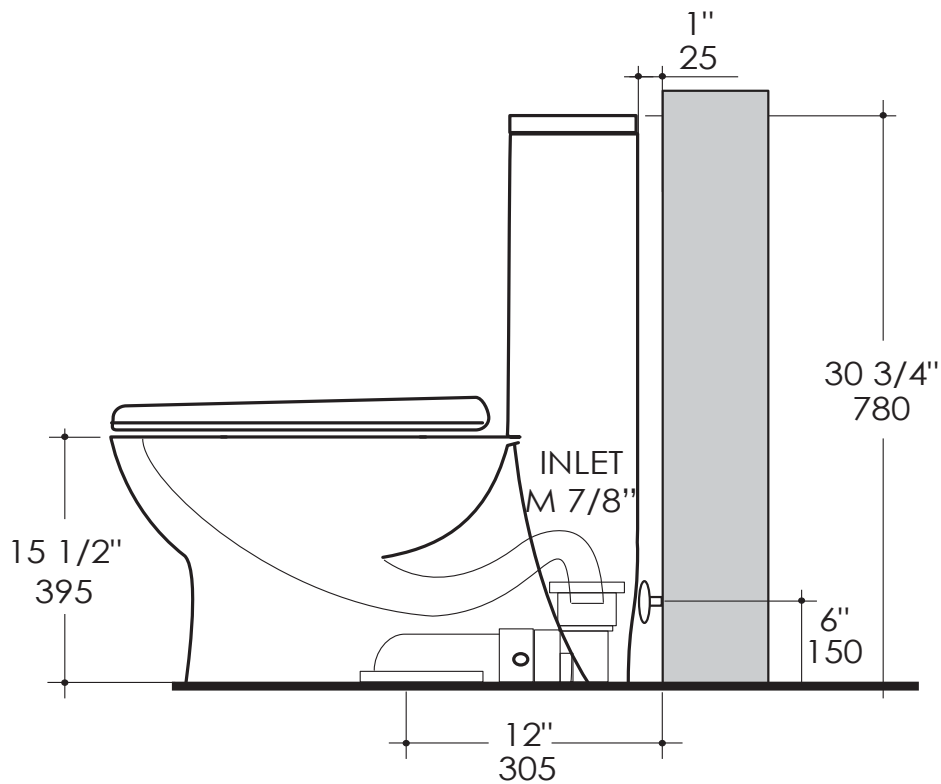
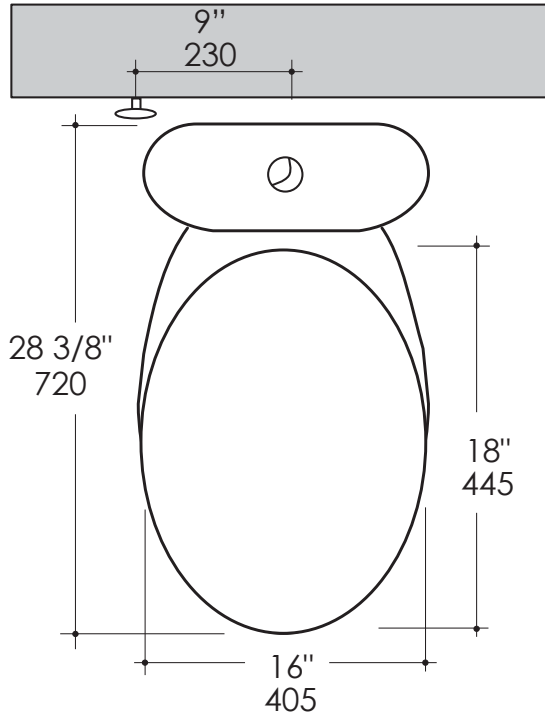
- Porcelain elongated one-piece toilet
- Floor-standing installation
- Includes mounting hardware
- Dual flush system 1.6 gpf and 0.8 gpf
- Soft-closing seat cover and tank are included
- Meets and exceeds the following standards/codes:
 - ASME A112.19.2-2013/CSA B45.1-13/ASME A112.19.14-2013
 - EPA's WaterSense Specification for Tank-Type Toilets



Table of Contents/Contenido:

- Page 2: Product Specifications/Especificaciones de Producto
- Page 3: Parts Breakdown/Desglosamiento de Partes
- Page 4, 5, 6: Installation Instructions/Instrucciones de Instalación
- Page 7 : Cleaning & Care/Cuidado y Limpieza

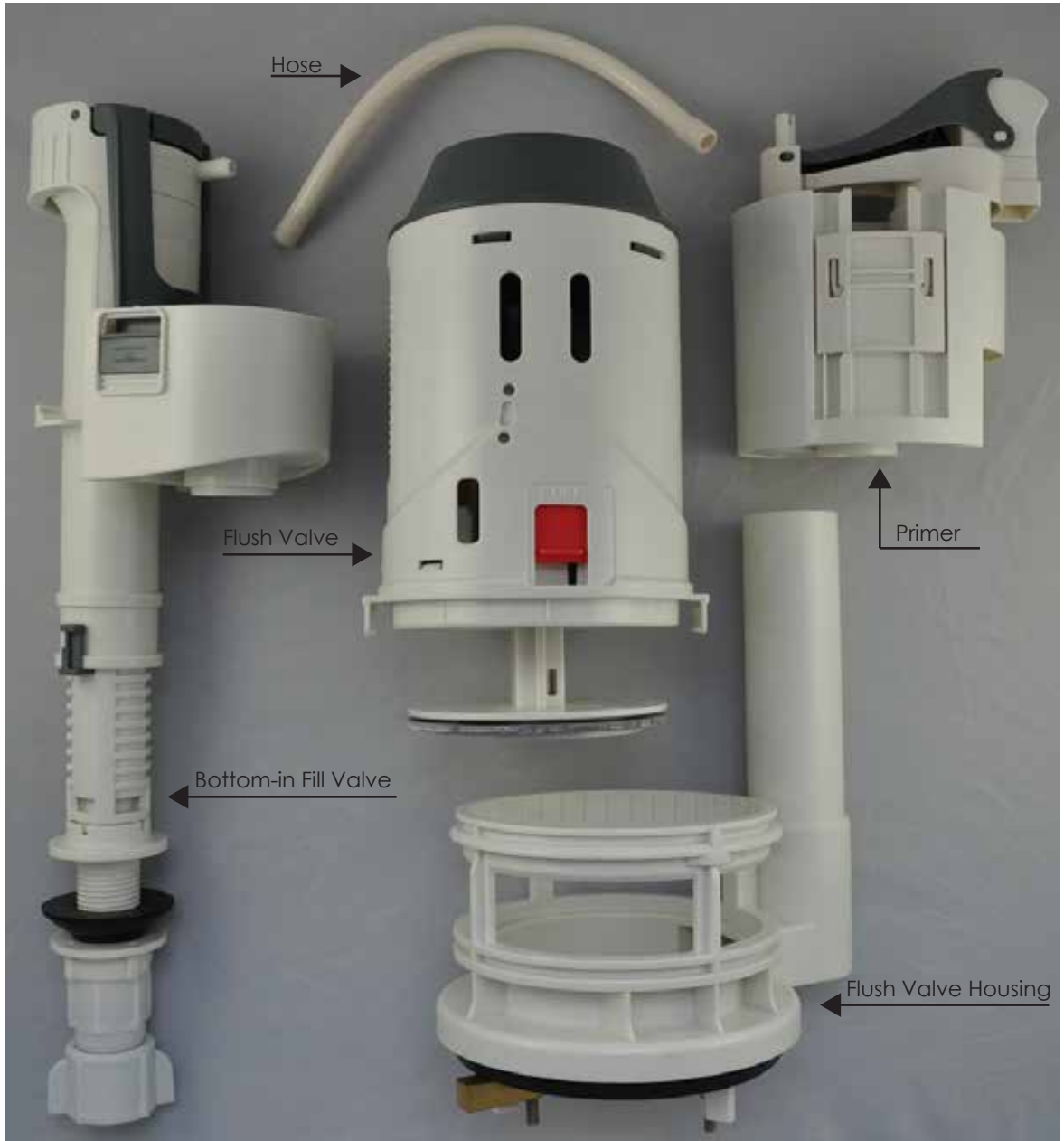
Product Specifications/Especificaciones de Producto



Note:
Drawings provided herein are meant to give the user an idea of the product and are not made to scale. The sizes in inches are rounded up to the nearest 1/16.

Nota:
Los planos proporcionados en este documento tienen el propósito de dar al usuario una idea del producto y no están hechos a escala. Los tamaños de pulgadas se redondean al más cercano 1 / 16.

Parts Breakdown/Desglosamiento de Partes



Installation Instructions/Instrucciones de Instalación

Toilet Installation



1. Place waste adapter over waste hole in the floor (flange should be installed in hole) and mark where holes will be drilled on the floor (X's).
2. Remove adapter and drill holes.
3. Next install wax ring (not included) between waste hole flange and circular part of waste drain adapter.
4. Secure waste drain adapter to floor with 4 screws.
5. Use 2 bolts to fasten circular portion of waste drain adapter to waste hole flange.



5. Now fit toilet onto waste drain adapter and trace around the base of the toilet on the floor.

6. Mark location of toilet mounting holes.

7. Remove toilet. Fasten mounting blocks to the floor at your marks. (Note: account for thickness of toilet wall)

8. Now with waste drain adapter and mounting brackets fastened to floor place toilet into waste drain hole and over brackets.

9. Place the included plastic washer inserts into the mounting holes in the toilet. Then use included screws and screw into each mounting bracket.

10. Finally, install decorative screw caps over screws.

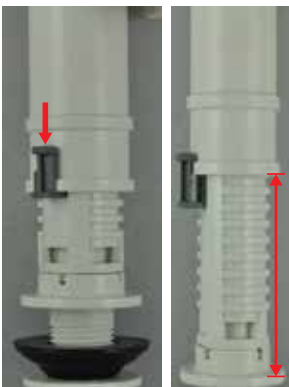
Installation Instructions/Instrucciones de Instalación

Dual Flush System Installation/Adjustment



1. Install "bottom-in" fill valve into tank. Unthread nut from end leaving black rubber washer, place valve assembly through hole, then tighten nut on the outside of the tank by hand.

2. By eye adjust the fill valve height so that when tank fills water will fill to the fill mark on the inside of the tank. (NOTE: minor adjustments can be made by sliding grey door up/down)



To adjust valve height:

- Push grey lock down then holding valve right above grey lock, twist counter clockwise.
- Now move up/down to desired height.
- Twist clockwise and push grey lock back up to lock.



3. Install flush valve housing into the tank flush hole.
- Make sure brass blocks are under the hole and use phillips head screw driver to snug housing around the hole.

4. Next place flush valve in housing and press down until you feel it snap in place. (NOTE: to uninstall: rotate flush valve until it clicks and you cannot rotate anymore. Then pull valve straight up out of housing)

NOTE: Volume of water for each flush function can be adjusted. Slide grey tab for half flush and red tab for full flush (up for more volume and down for less).



Installation Instructions/Instrucciones de Instalación



5. Slide primer onto the end of the tube on the flush valve housing and connect hose from “bottom-in” valve to primer.

6. Hook up incoming water line and let tank fill. Make sure tank fills to fill line on tank and stops (adjust fill valve as needed).

Now flush toilet. When refill stops note the height of the water in the bowl.

7. Set height of primer. Use adjustment screw for larger adjustments and sliding door for smaller adjustments.

Height of primer dictates amount of water diverted to the toilet bowl. (Note: water in bowl should fill to slightly below when water begins to drain down waste hole)

8. Continue adjustments and test flush until desired amount of water in bowl is reached.



9. Set length of pins on flush buttons in the tank lid. Adjust so that buttons initiate flush when pressed.

a. Loosen lock nut and adjust length of pins by threading in or out.

b. Once desired length is attained tighten lock nuts.

10. Replace cover on tank.

Cleaning and Care

For best results, please care for this product in accordance with the following instructions:

- Only use warm water and a mild detergent (i.e. dishwashing soap) for cleaning.
- If another cleaner is used, check the label to make sure that it is safe for use on the material being cleaned and always test in an inconspicuous area first.
- Make sure to wipe any excess cleaners off with a damp sponge or cloth and then rinse with water.
- Dry the surface with a soft cloth until dry after each use.
- Never use abrasive materials or cleaners that contain ammonia, bleach or acid, since they can cause damage to the finished surface.

We would like to thank you for your purchase and are confident that you will be able to enjoy our products for many years to come!

Cuidado y Limpieza

Para mejores resultados, por favor cuide des este producto de acuerdo con las siguientes instrucciones:

- Sólo utilice agua tibia y un detergente suave (es decir, el jabón para lavar la vajilla) para la limpieza.
- Si se utiliza otro limpiador, revise la etiqueta para asegurarse de que es seguro para el uso del material para su limpieza y siempre prueba en un área discreta primero.
- Asegúrese de limpiar cualquier exceso de productor de limpieza con una esponja o un trapo húmedo y luego enjuague con agua.
- Seque la superficie con un paño suave hasta que se seque después de cada uso.
- Nunca use materiales abrasivos o productos de limpieza que contienen amoníaco, lejía o ácido, ya que pueden causar daños a la superficie acabada.

¡Nos gustaría darle las gracias por su compra y estamos seguros que usted podrá disfrutar de nuestros productos por muchos años!