

*SPECIFICATIONS*

# 3.5" BASKET STRAINER

*Kitchen / Bar & Prep*



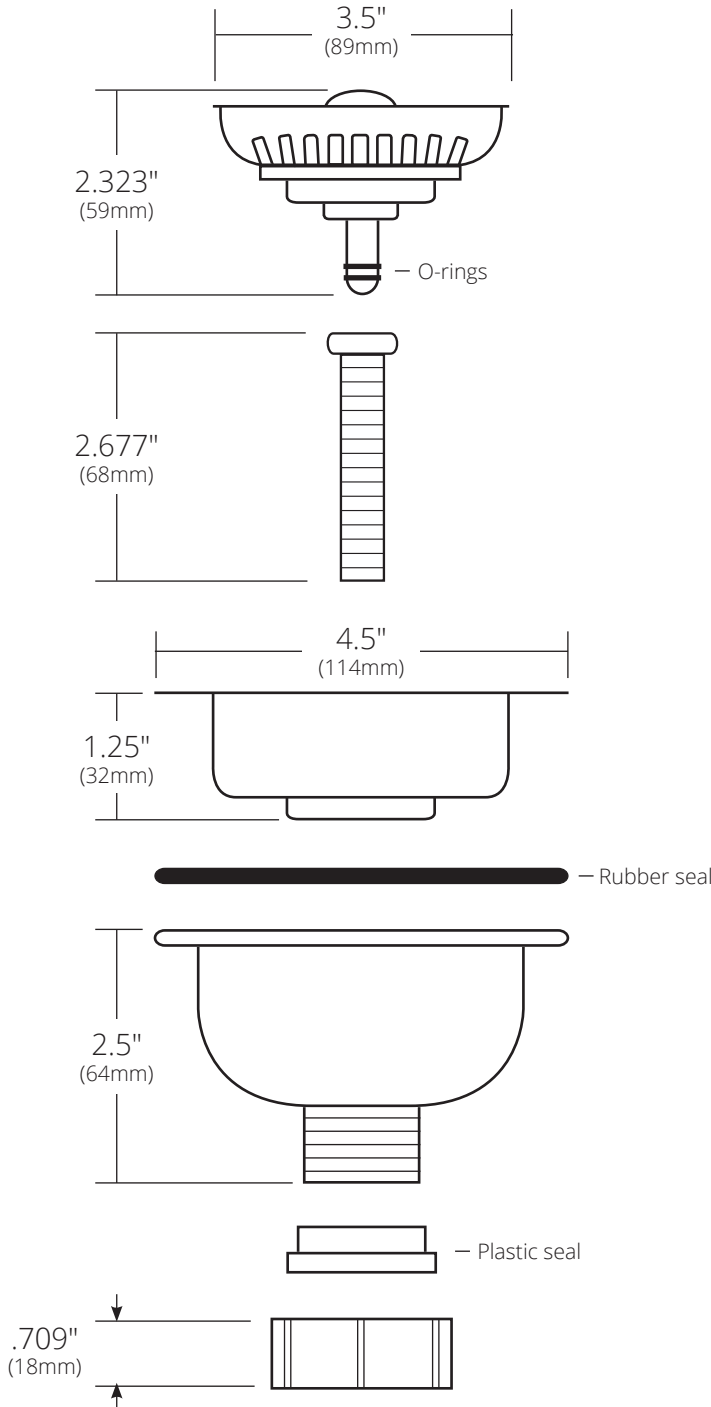
- DR320-BN Brushed Nickel
- DR320-CH Chrome
- DR320-MB Matte Black
- DR320-ORB Oil Rubbed Bronze
- DR320-PSC Polished Solid Copper
- DR320-PN Polished Nickel
- DR320-SC Solid Copper
- DR320-WC Weathered Copper
- DR320-BG Brushed Gold

**PRODUCT DETAILS**

- Fits 3.5" (89mm) drain opening
- Features center post with double o-ring construction for tight seal and durability

**COORDINATING PRODUCTS**

- Kitchen or Bar & Prep basin with 3.5" (89mm) drain opening
- Matching Basket Strainer with Disposer Trim: DR340



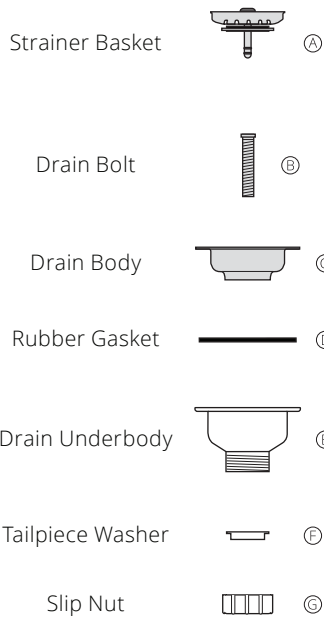
### General Instructions:

- We strongly recommend this product be installed by a professional installer.
- Disassemble and account for all pieces shown in "Parts Included" section.
- Drain intended to be used in sink without overflow

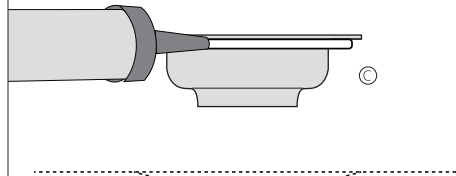
### Materials Recommended:

- 100% Silicone  
*(non-water based)*
- Large Flathead Screwdriver  
*(optional)*

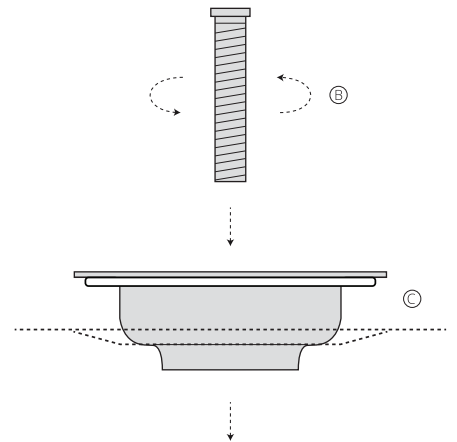
### Parts Included:



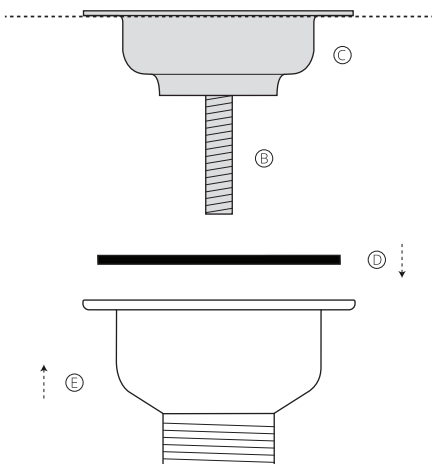
1. Clean and remove any loose debris from the drain hole located in the bottom of your sink.
2. Apply a bead of 100% silicone evenly around the underside of the flange of the Drain Body (C).



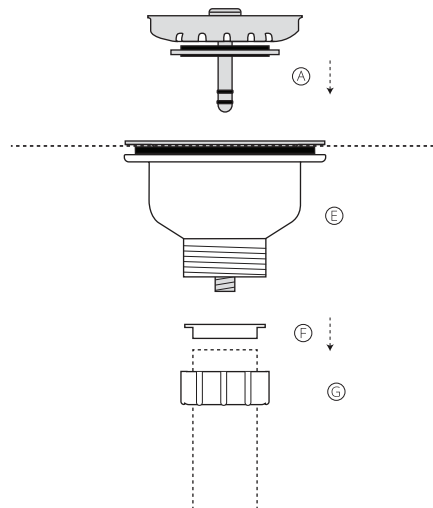
3. Insert the Drain Body (C) into the sink drain hole, ensuring that the silicone makes full contact with the sink, and the Drain Body (C) is centered.
4. Thread the Drain Bolt (B) into the Drain Body (C)



5. From under the sink, place the Rubber Gasket (D) into the cup of the Drain Underbody (E) then connect this assembly to the Drain Body (C) with the Drain Bolt (B) already threaded through, screw securely into place. \*Do not overtighten.
6. Wipe away any excess silicone around the drain area.



7. Insert the Strainer Basket (A) into the Drain Bolt (B).
8. Place the narrow end of the Tailpiece Washer (F) into the end of the tailpiece or other outlet to be connected to your sink, followed by the Slip Nut (G).



9. Insert the tailpiece with Tailpiece Washer (F) in place into the bottom of the Drain Underbody (E) then screw Slip Nut (G) up until secure but not overtight against the Drain Underbody (E).
10. Allow silicone to dry then check for leaks and test function of the Strainer Basket (A).

