



TO-V6202-27/29

### Features

- Over 28 finishes including 13 PVD finishes
- All brass construction
- 1.2 gpm (4.5 L/min) max flow rate
- Rough valve (VL-R) sold separately

### Codes/Standards Applicable

Product meets or exceeds the following:

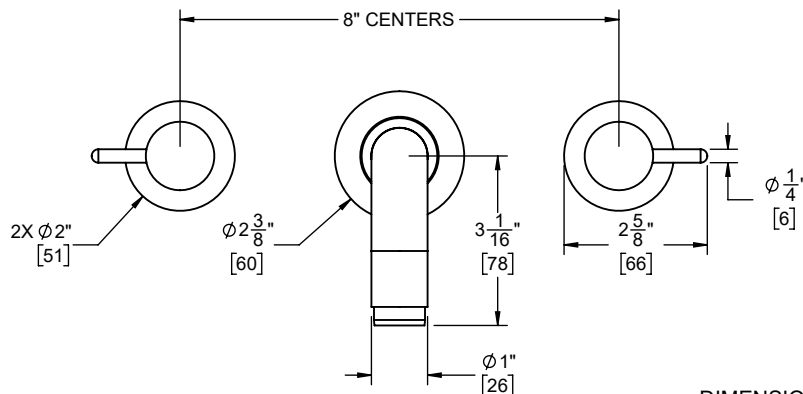
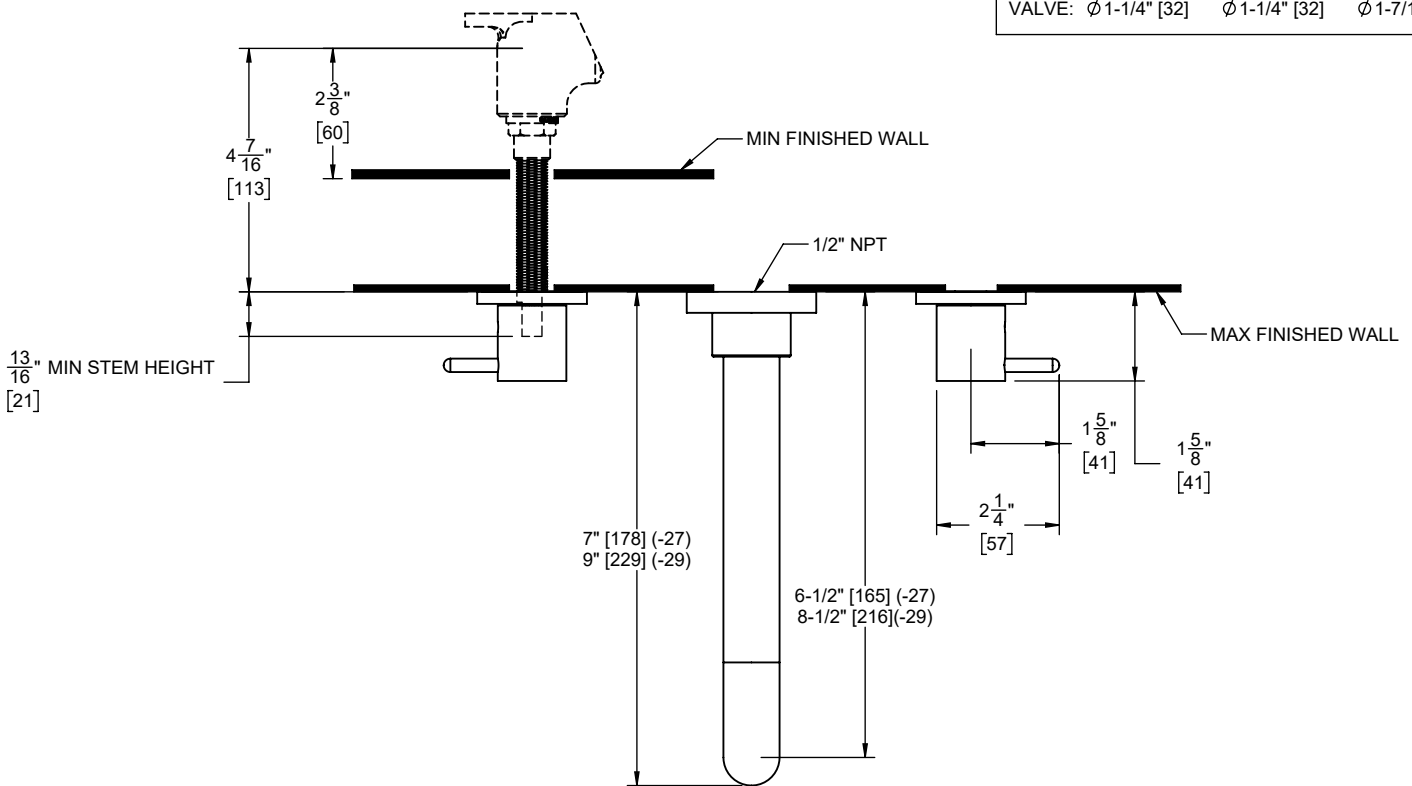
- ASME A112.18.1/CSA B125.1
- NSF/ANSI 61 & NSF/ANSI 372
- CEC & DOE
- Commonwealth of MA
- EPA WaterSense High Efficiency Lavatory
- ADA compliant



TO-V6202-29 shown

### THROUGH-HOLE SPECIFICATIONS

	MIN	RECOMMENDED	MAX
SPOUT: Ø 1" [25]		Ø 1-1/4" [32]	Ø 1-15/16" [49]
VALVE: Ø 1-1/4" [32]		Ø 1-1/4" [32]	Ø 1-7/16" [37]





Tel: 714-891-7797  
 Fax: 714-891-2478  
 Toll Free: 800-822-8855  
 www.calfaucets.com

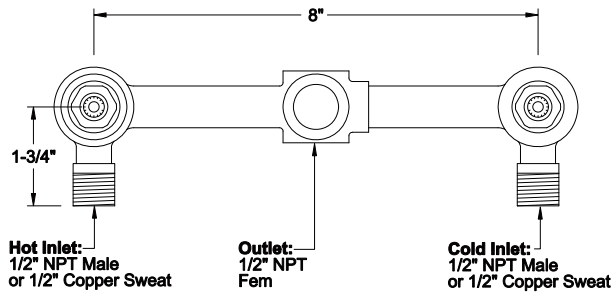
# VESSEL LAVATORY

## INSTALLATION INSTRUCTIONS

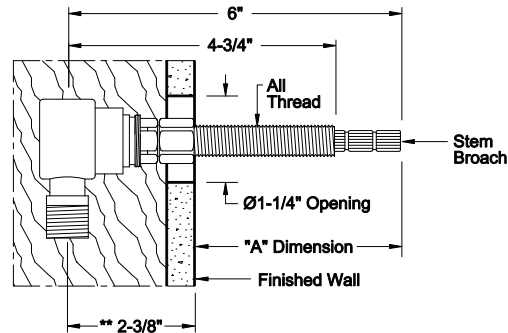
### VL-R

California Faucets reserves the right to make modification and specification changes at any time. Please visit [www.calfaucets.com](http://www.calfaucets.com) for most current technical data.

**Front View**



**Side View**



### "A" DIMENSION

"A" Dimension is from finished wall to tip of stem broach

Handle Series #	"A"
33	2-3/8"
34	2-3/8"
35	2-3/8"
36	2-3/8"
38	2-5/8"
40	2-5/8"
42	2-5/8"
43	2-1/4"
46	2-1/2"
47	2-1/2"
50	2-1/4"
51	2-1/2"
52	2-5/8"
53	2-1/4"
55	2-5/8"
57	2"
58	2-5/8"
59	2-5/8"
60	2-1/4"
61	2-1/4"
62	1-7/16"
63	3"
64	2-5/8"
65	2-1/8"
66	2-1/8"
67	2-1/4"
68	2-3/8"
69	2-3/8"
**71	1"
**72	1"
**73	1"

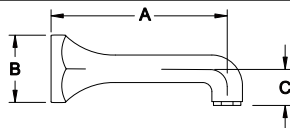
**NOTE:** In some cases, it may be necessary to TIGHTEN cartridge to achieve desired handle alignment. Cartridge shall be tightened in a clockwise direction only. DO NOT loosen the cartridge. Preset factory torque setting of 14 ft-lbs min. MUST be maintained to prevent possible failure and/or water damage.

**NOTE:** When fitting handle it may be necessary to shorten broach stem and/or all thread to eliminate gap between handle & escutcheon.

**\*\*NOTE:** For Series #71, 72 & 73 valve rough must be set back a minimum of 2-3/8" from finished wall surface to center of inlets.

#### VS-47-7 & -9

For Series:  
 #46, 47, 51, 60 & 63

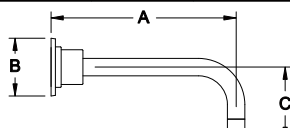


(Connecting nipple not supplied)

VS-47-7:	A=5-3/4"	B=2-3/4"	C=1-7/8"
VS-47-9:	A=8-1/2"	B=2-1/4"	C=1-5/16"

#### VS-62-7, -V7, -9 & -V9

For Series:  
 V6202-7/-V7  
 V6202-9/-V9

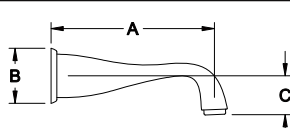


(Connecting nipple not supplied)

VS-62-7:	A=8"	B=2-1/2"	C=3-1/8"
VS-62-9:	A=10"	B=2-1/2"	C=3-1/8"

#### VS-64-7 & -9

For Series:  
 #38, 40, 42, 43,  
 55, 57 & 64

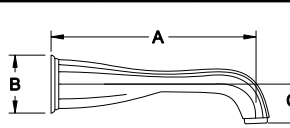


(Connecting nipple not supplied)

VS-64-7:	A=7-3/16"	B=2-3/8"	C=1-5/16"
VS-64-9:	A=8-3/8"	B=2-3/8"	C=1-5/16"

#### VS-68-9

For Series:  
 #50, 68 & 69

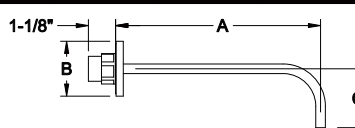


(Connecting nipple not supplied)

VS-68-9:	A=8-3/4"	B=2-3/8"	C=1-5/8"
----------	----------	----------	----------

#### VS-72-6 & -9\*\*

For Series:  
 #72

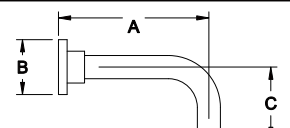


(Connecting nipple not supplied)

VS-72-7:	A=6-5/16"	B=2-1/4"	C=2-7/16"
VS-72-9:	A=8-5/16"	B=2-1/4"	C=2-7/16"

#### VS-65-7 & -9

For Series:  
 #65, 66 &  
 V6202-271-29

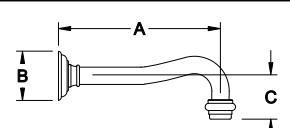


(Connecting nipple not supplied)

VS-65-7:	A=6-1/2"	B=2-3/8"	C=3-1/8"
VS-65-9:	A=8-1/2"	B=2-3/8"	C=3-1/8"

#### VS-67-7 & -9

For Series:  
 #33, 34, 35, 36,  
 52, 51 & 67

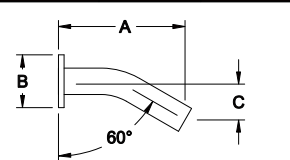


(Connecting nipple not supplied)

VS-67-7:	A=6-7/8"	B=2-1/8"	C=2"
VS-67-9:	A=10"	B=2-1/8"	C=2"

#### VS-71\*\*

For Series:  
 #71

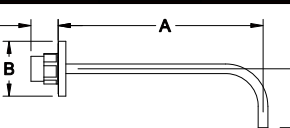


(Connecting nipple not supplied)

VS-71:	A=5"	B=2"	C=1-3/8"
--------	------	------	----------

#### VS-73-6 & -9\*\*

For Series:  
 #73



(Connecting nipple not supplied)

VS-73-7:	A=6-5/16"	B=2-1/4"	C=2-7/16"
VS-73-9:	A=8-5/16"	B=2-1/4"	C=2-7/16"

**IMPORTANT CLEANING NOTICE** Please refer to *Finish Care Instructions* for complete cleaning information. Wipe frequently with a soft, damp cloth. **Never use acids, harsh abrasives or detergents.**