

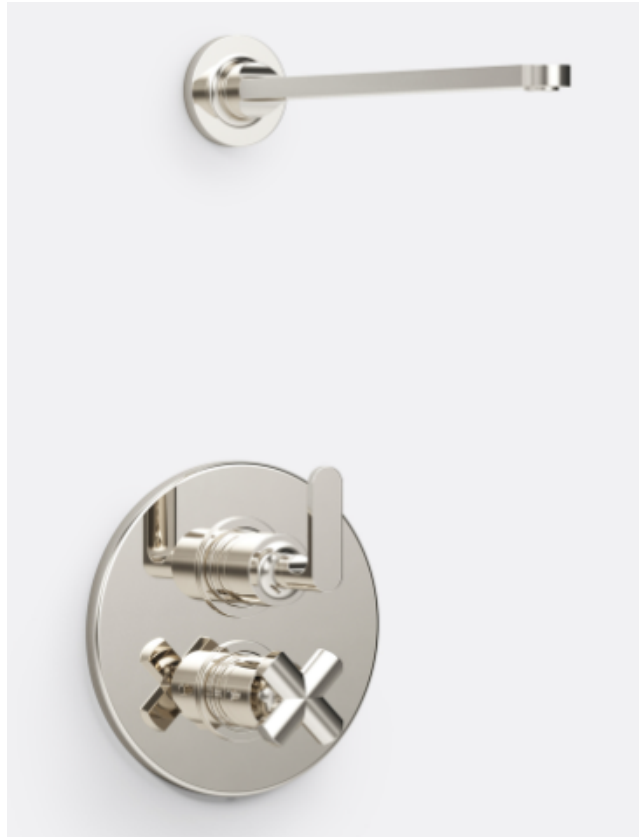
# REJUVENATION

[www.rejuvenation.com](http://www.rejuvenation.com)

## **Bowman**

Thermostatic Shower Set

Includes SS-TH2000 rough in valve



Meets the applicable requirements of ASME A112.18.1-2005/CSA B125.1-05, entitled "Plumbing Supply Fittings"

**WATERMARK** DESIGNS

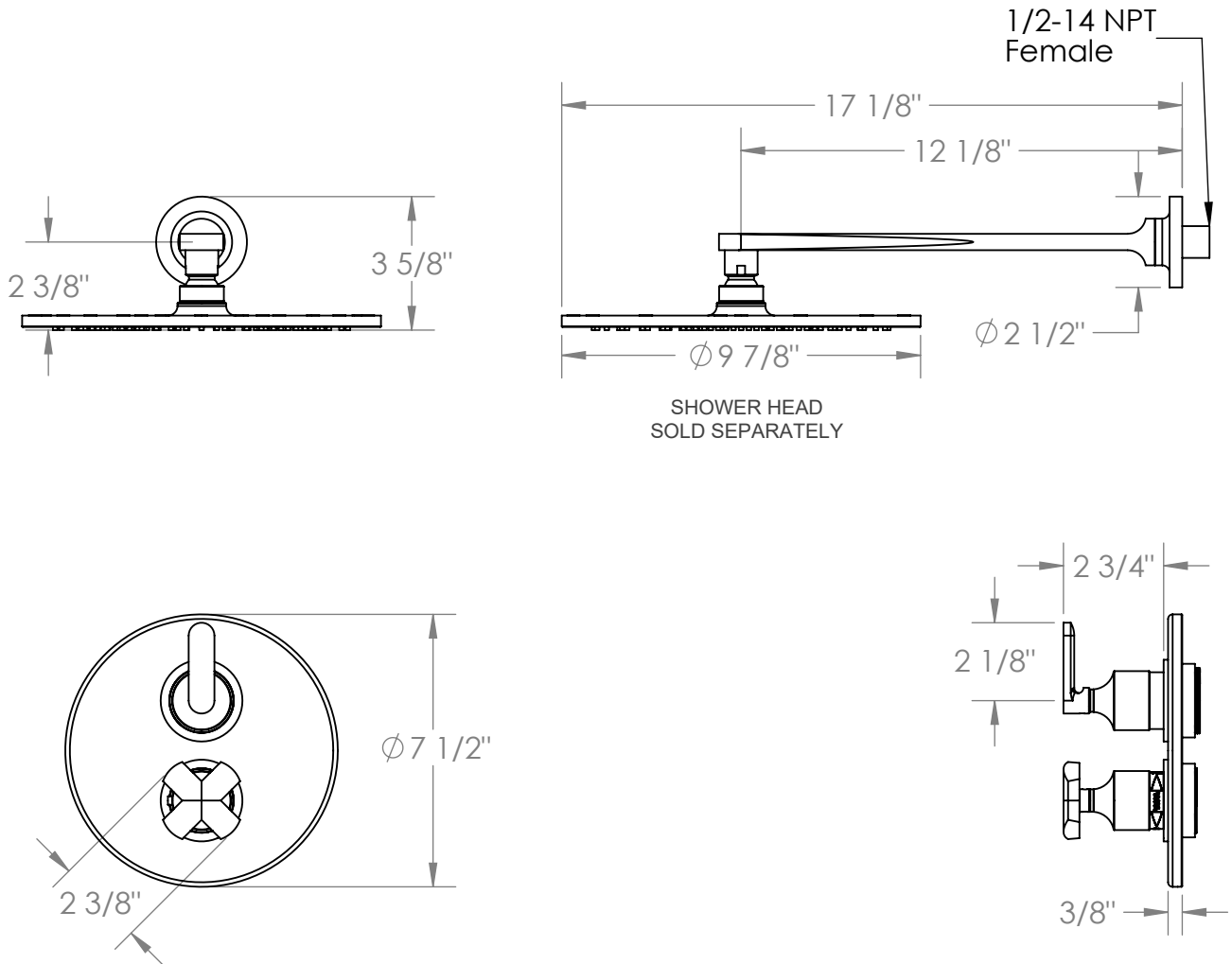
# REJUVENATION

www.rejuvenation.com

## Bowman

Thermostatic Shower Set

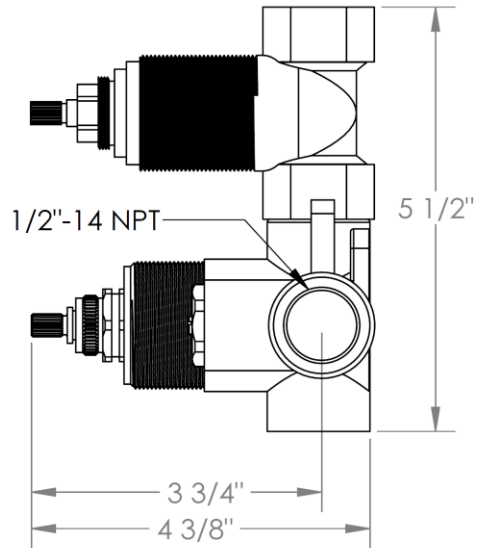
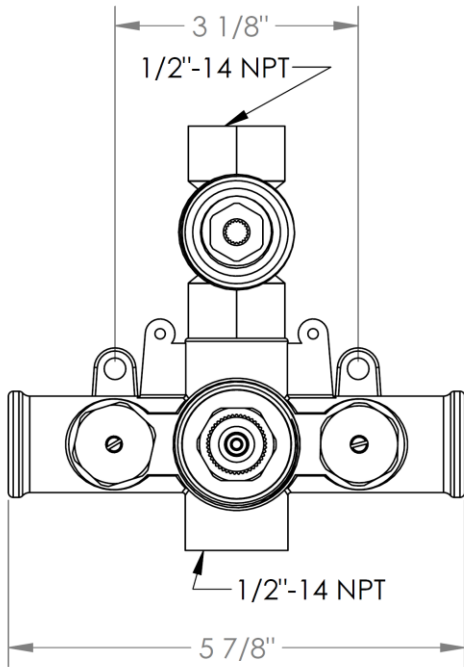
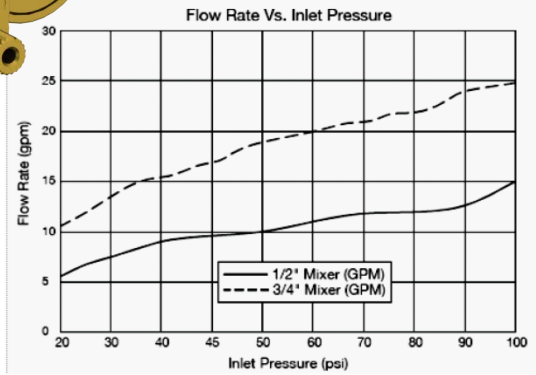
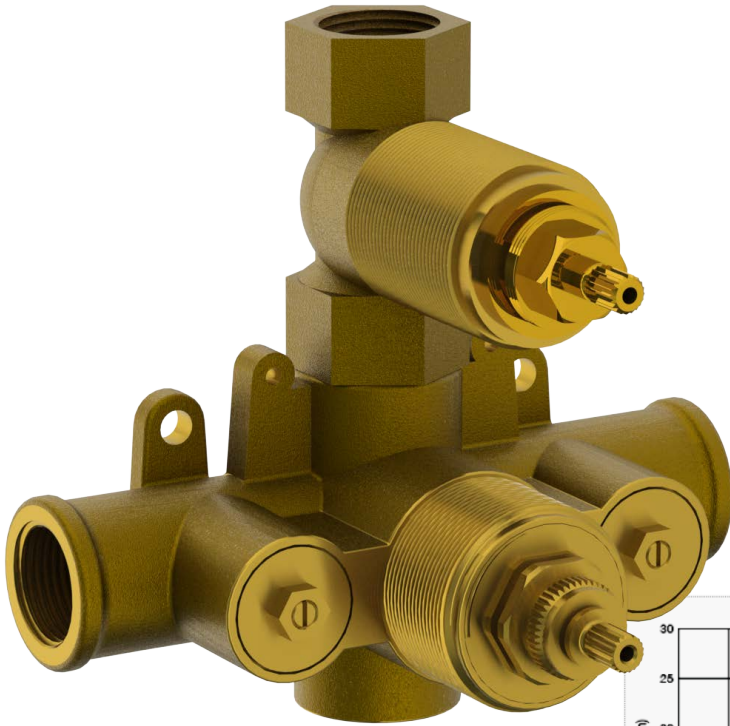
Includes SS-TH2000 rough in valve



Meets the applicable requirements of ASME A112.18.1-2005/CSA B125.1-05, entitled "Plumbing Supply Fittings"

# SS-TH2000

1/2" Thermostatic Valve with Built In Volume Control



Meets the applicable requirements of ASME A112.18.1-2005/CSA B125.1-05, entitled "Plumbing Supply Fittings"