

# REJUVENATION

[www.rejuvenation.com](http://www.rejuvenation.com)

## **BOWMAN**

Thermostatic Tub/Shower Set

Includes SS-THVD2 rough in valve with diverter



Meets the applicable requirements of ASME A112.18.1-2005/CSA B125.1-05, entitled "Plumbing Supply Fittings"

**WATERMARK** DESIGNS

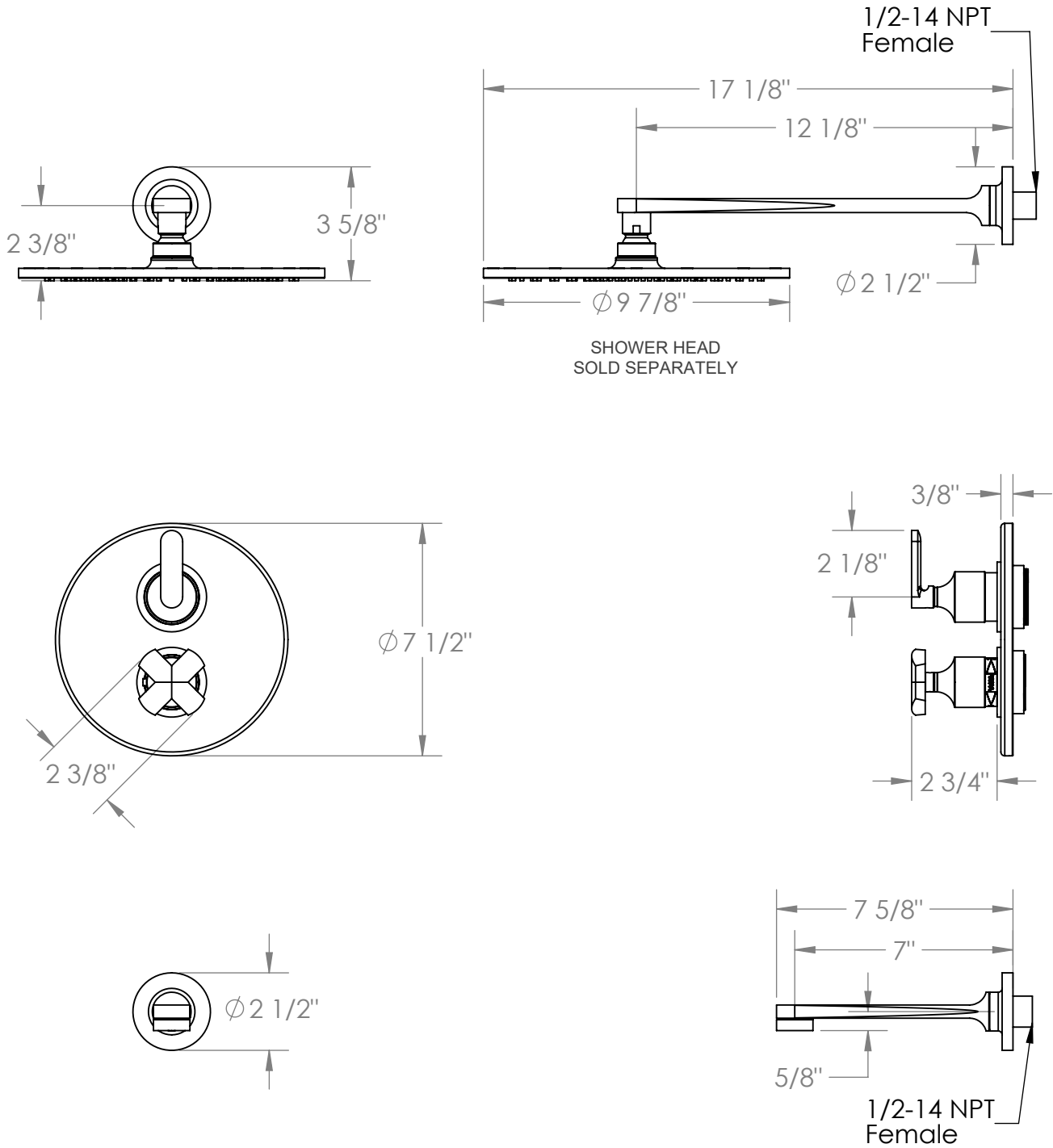
# REJUVENATION

www.rejuvenation.com

## BOWMAN

Thermostatic Tub/Shower Set

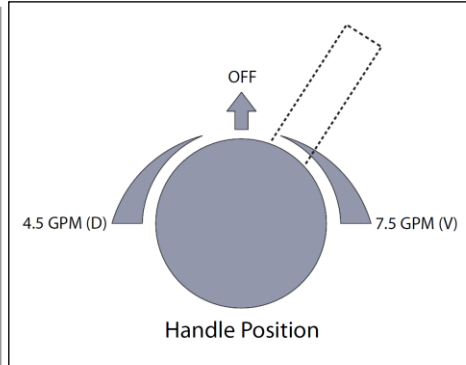
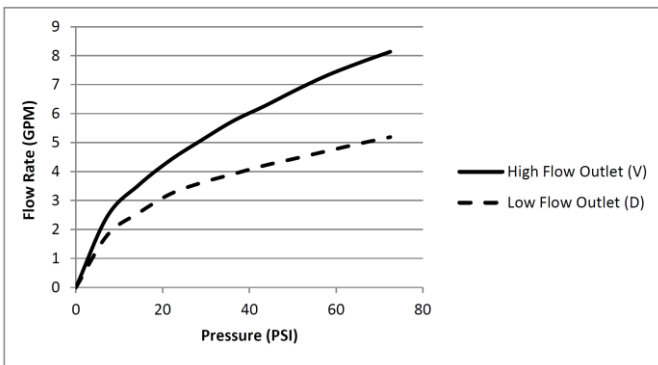
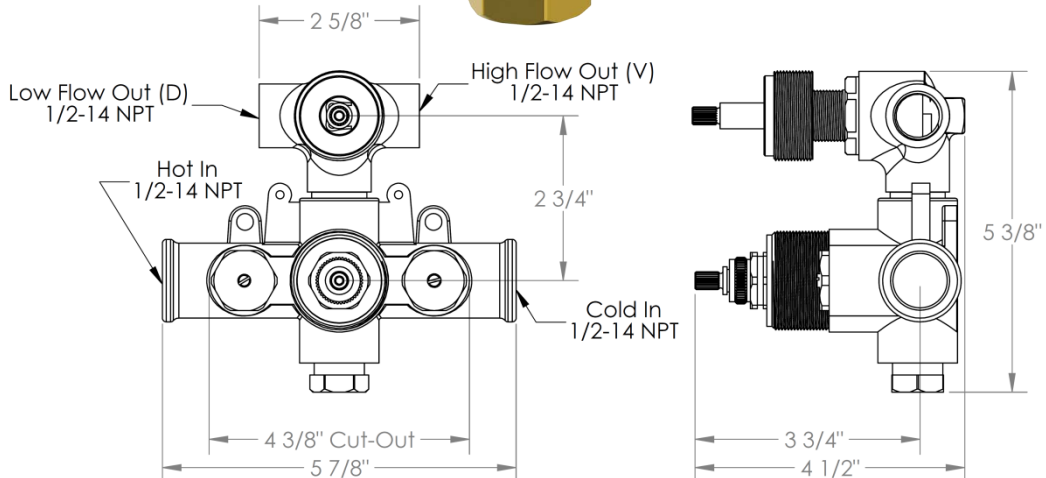
Includes SS-THVD2 rough in valve with diverter



Meets the applicable requirements of ASME A112.18.1-2005/CSA B125.1-05, entitled "Plumbing Supply Fittings"

**SS-THVD2**

1/2" Thermostatic Valve with Volume Control and 2 Way Diverter



Meets the applicable requirements of ASME A112.18.1-2005/CSA B125.1-05, entitled "Plumbing Supply Fittings"