

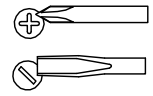
# Foster Ceiling Fixture Install

skill level • Basic Electrician

## installation instructions

For a safe installation, make sure the electrical box is securely mounted to a structural member.

• toolbox



1. Mount the crossbar to the electrical box using screws supplied with the box.

2. Holding the fixture close to the electrical box, connect the fixture wires to the house wires.

Make connections as appropriate for your house wiring.

**See reverse side of instructions for important wiring information**

3. Set the canopy mounting screws such that the screw head is 1" clear of the crossbar surface. Ensure that there is clearance beyond the mounting surface for the screws to protrude through the backside of the crossbar at least 1/2". Depending on electrical box shape, the canopy screws may or may not protrude into the box.

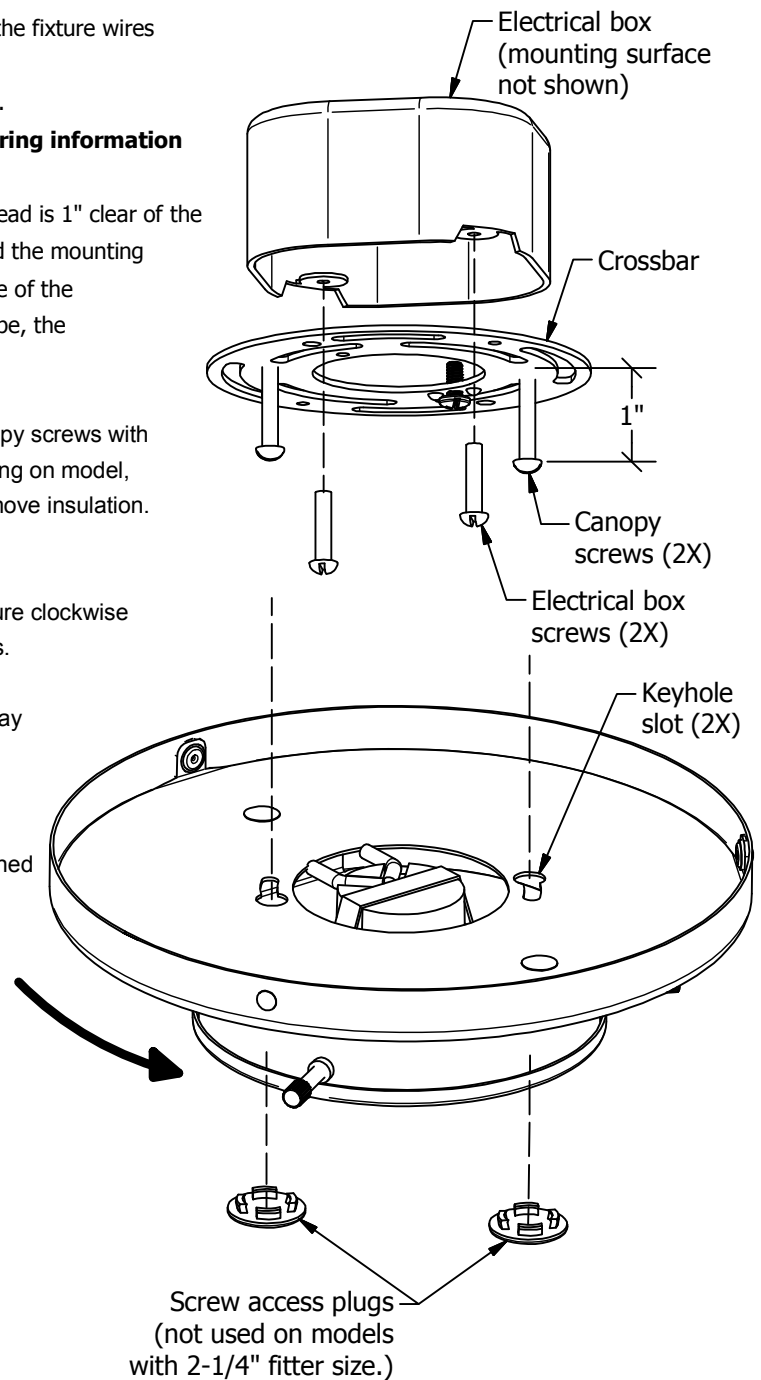
4. Position fixture over electrical box by aligning the canopy screws with the keyhole shaped slots in the canopy plate. Depending on model, there may be insulation covering the holes. Do not remove insulation.

5. With canopy fully against mounting surface, rotate fixture clockwise to seat the screws against the ends of the keyhole slots.

6. Secure fixture by tightening canopy screws. Screws may be accessed through holes near the light socket.

7. Cover the screw access holes by snapping color matched plugs in place. (Not available on 2-1/4" fitter size).

Complete !



## REJUVENATION

2550 N.W. Nicolai Street, Portland Oregon 97210 Customer Service: 888-401-1900 rejuvenation.com