

REJUVENATION

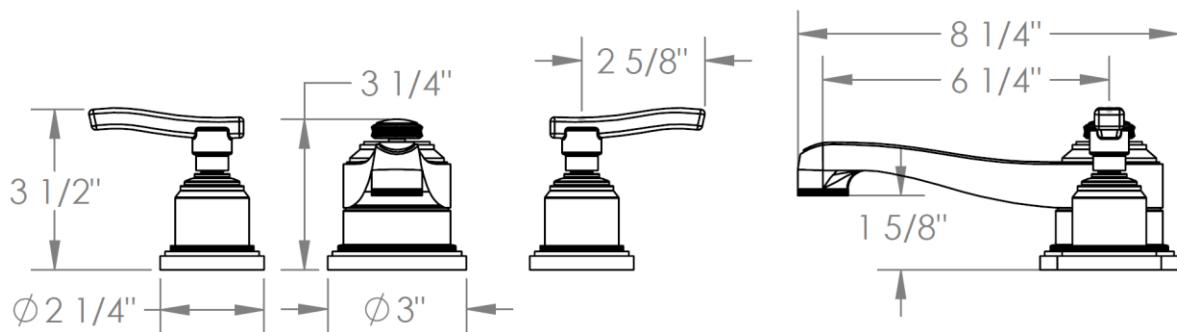
www.rejuvenation.com

RIGDON

Deck Mounted 3 Hole Lavatory Set

Includes MPU7 pop-up drain

Flow Rate: 1.2 GPM



Meets the applicable requirements of ASME A112.18.1-2005/CSA B125.1-05, entitled "Plumbing Supply Fittings"

MPU7
Pop Up Drain Assembly

