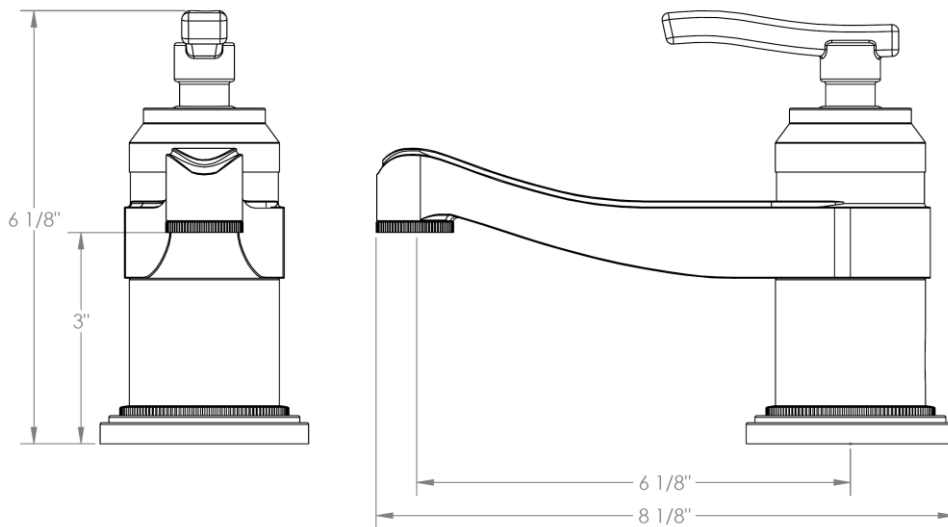


# REJUVENATION

www.rejuvenation.com

## RIGDON

Deck Mounted Monoblock Lavatory  
Mixer Includes MPU5 soft touch drain  
Flow Rate: 1.2 GPM



Meets the applicable requirements of ASME A112.18.1-2005/CSA B125.1-05, entitled "Plumbing Supply Fittings"