

2019.08.30

www.rejuvenation.com



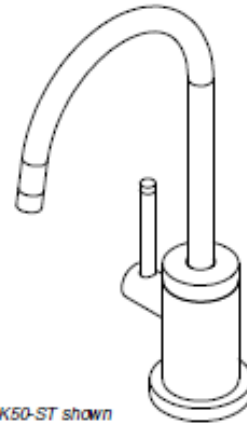
California Faucets®

CORSANO

CONTEMPORARY HOT ONLY WATER DISPENSER

Features

- Solid brass construction
- 360° rotating spout
- Insulated body and spout to reduce heat transfer to faucet
- Self-closing handle
- Flow rate: 1.8 gpm (6.8 L/min)
- Over 30 finishes including 15 PVD finishes
- Requires separate Hot Water Tank (9628SS) sold separately



CF-9625-K50-XX



Codes/Standards Applicable

Meets or exceeds the following at date of manufacture:

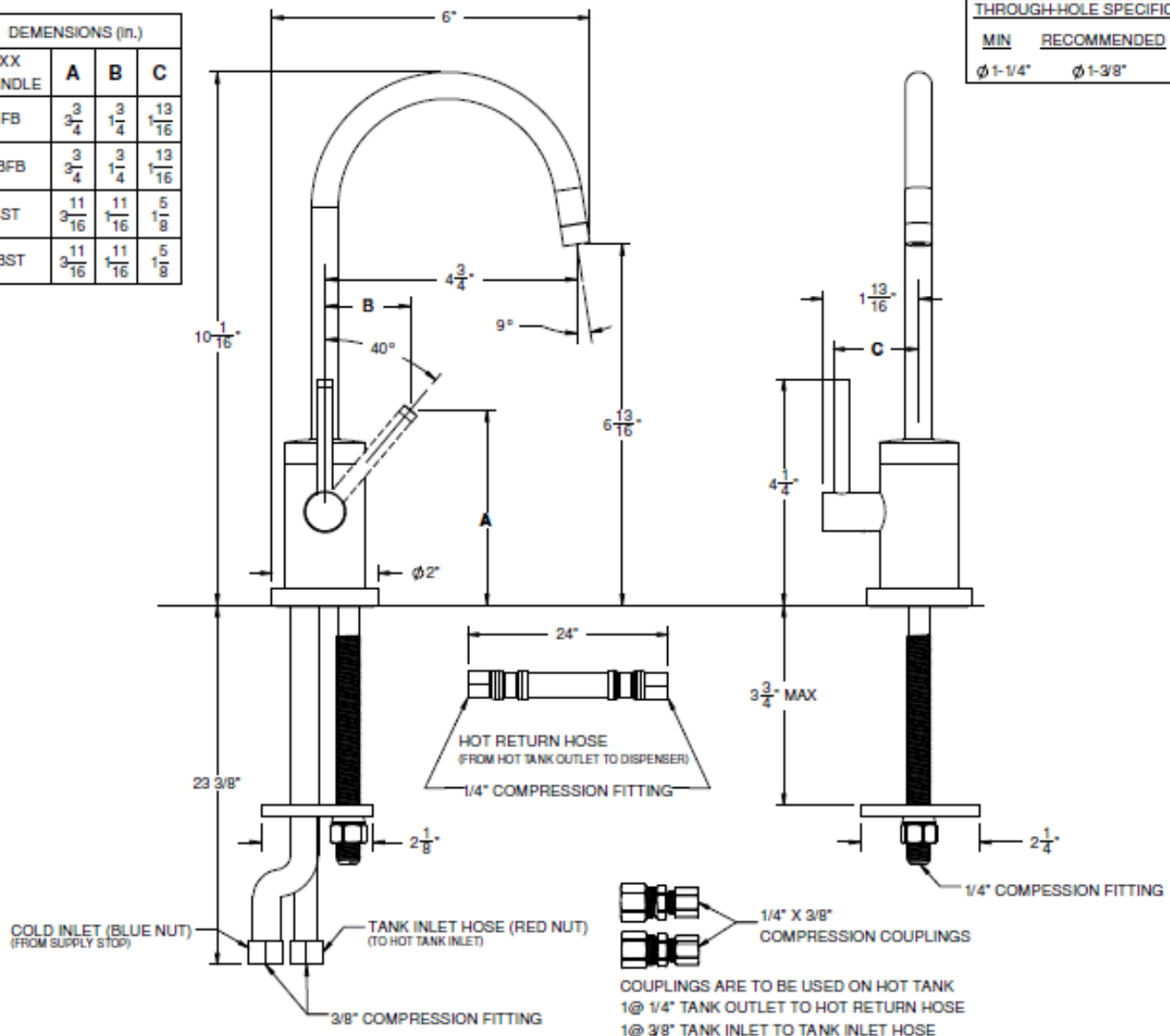
- ASME A112.18.1/CSA B125.1
- NSF 61 and NSF 372

CF-9625-K50-ST shown

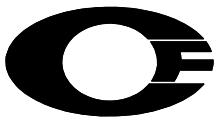
XX - DENOTES HANDLE STYLE

DIMENSIONS (in.)			
XX HANDLE	A	B	C
FB	3 3/4	1 3/4	1 13/16
BFB	3 3/4	1 3/4	1 13/16
ST	3 11/16	1 11/16	5 1/8
BST	3 11/16	1 11/16	5 1/8

THROUGH-HOLE SPECIFICATIONS		
MIN	RECOMMENDED	MAX
ϕ 1-1/4"	ϕ 1-3/8"	ϕ 1-1/2"



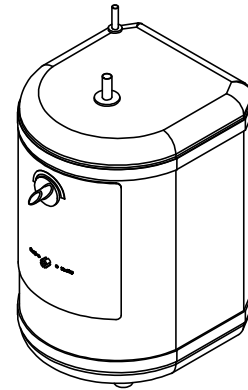
COUPLINGS ARE TO BE USED ON HOT TANK
1 @ 1/4" TANK OUTLET TO HOT RETURN HOSE
1 @ 3/8" TANK INLET TO TANK INLET HOSE



9628SS

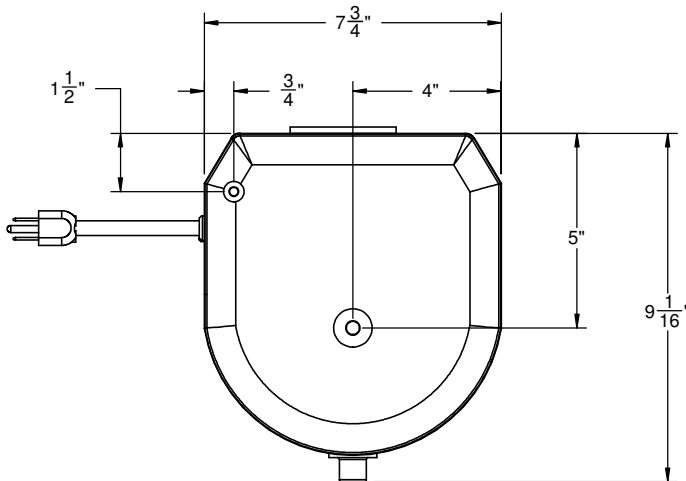
Features

- Tank capacity 5/8 gallon (2-1/2 quarts)
- Provides 190°F water instantly
- Heats 60 cups per hour
- Power 1300 watts (uses less energy than a 40W light bulb)
- All stainless steel tubes, heating coil, tank and outer case
- Sensor prevents dry start-up
- On indicator light
- RO filter compatible
- Mounting bracket included



Codes/Standards Applicable

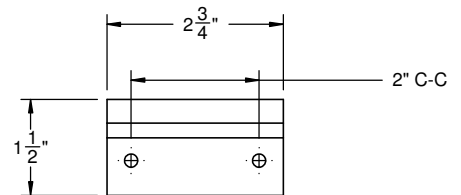
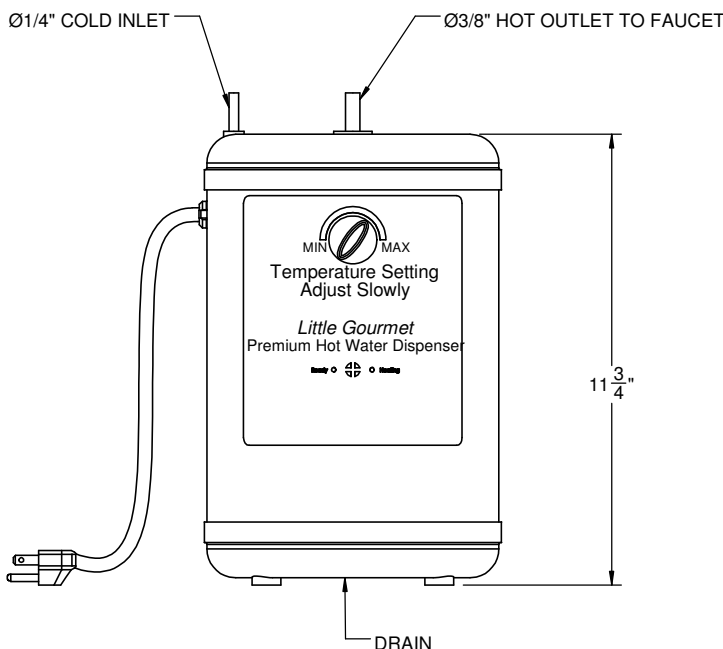
- Product meets or exceeds the following:
- NSFANSI 372 (UL File: MH61355)



Electrical Specifications

- 120 VAC, 60 HZ, 1300 Watts
- 10.83 amps- connect to 15 or 20-amp circuit
- Max temp 190°F ± 5°F

NOTE: Since tank is an open vent system (continuous opening between tank and spout) to relieve pressure that may occur during heating cycle, water may drip from spout during this cycle. **THIS IS NORMAL**



MOUNTING BRACKET