

# REJUVENATION

www.rejuvenation.com

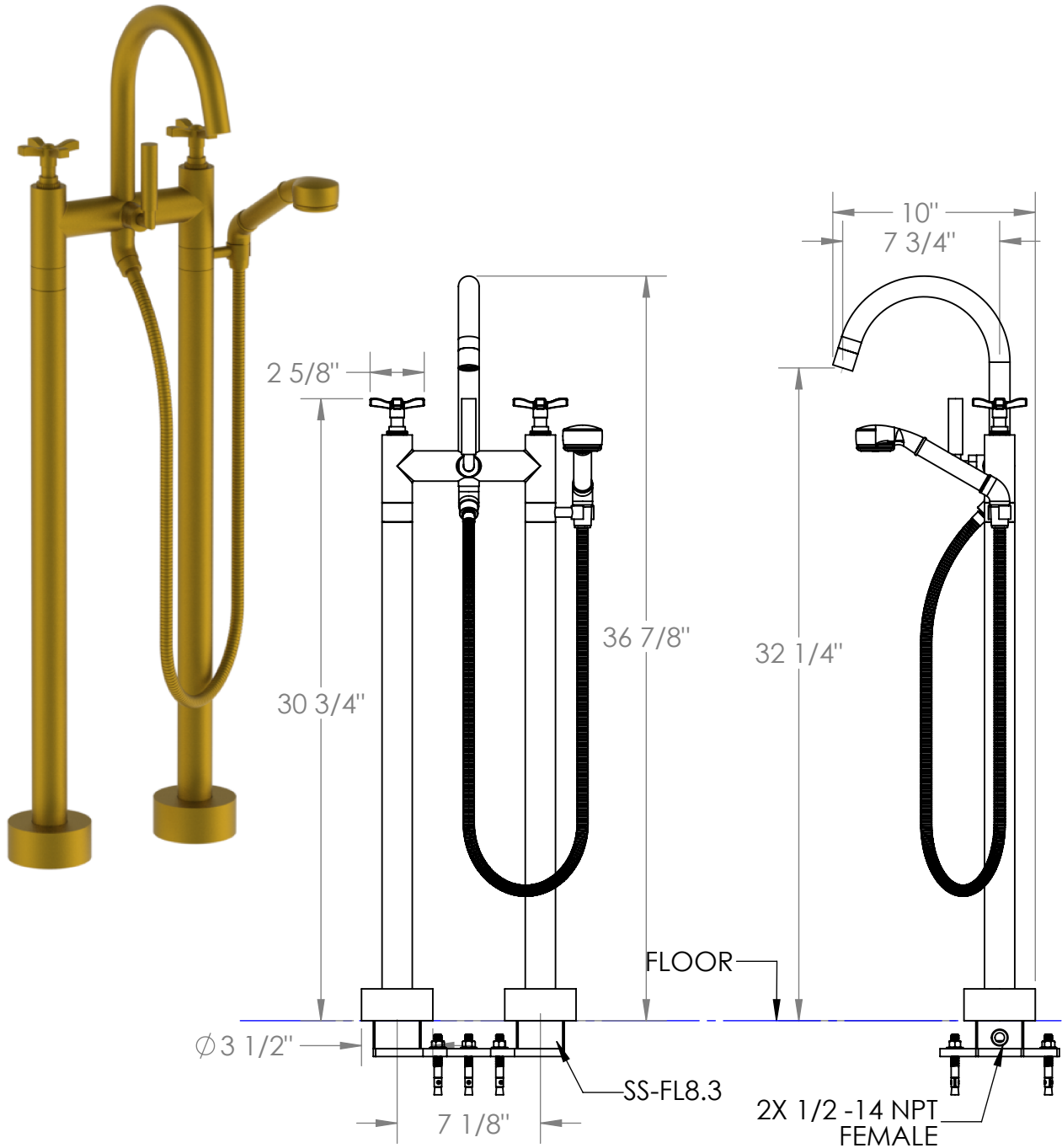
## RIGDON

Floor Mounted Tub Filler with Hand Shower

Hand Shower Flow Rate: 1.75 GPM

Requires concealed rough SS-FL8.3

Note: Some building codes require remote pressure balance valves for anti-scald



Meets the applicable requirements of ASME A112.18.1-2005/CSA B125.1-05, entitled "Plumbing Supply Fittings"