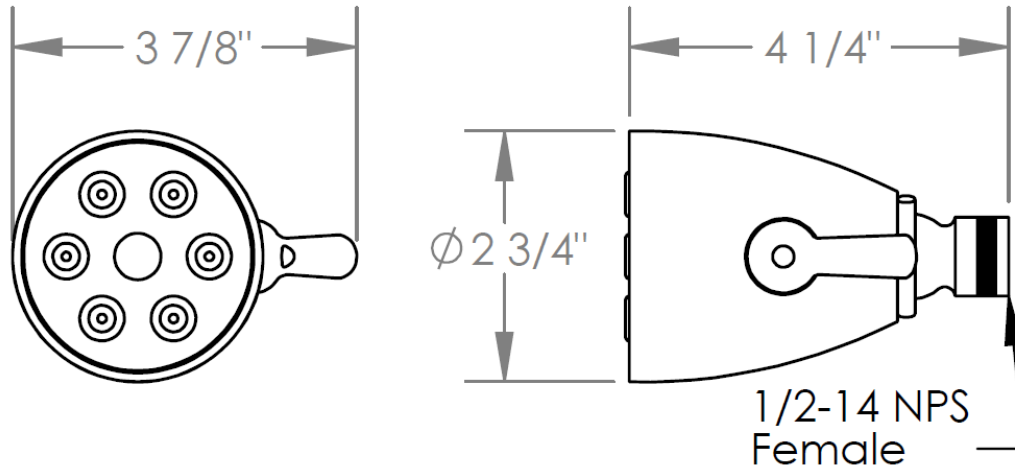


REJUVENATION

www.rejuvenation.com

6 Jet Shower Head
Connection Type: 1/2" Female
Flow Rate: 1.75 GPM @ 80 PSI



Meets the applicable requirements of ASME A112.18.1-2005/CSA B125.1-05, entitled "Plumbing Supply Fittings"

WATERMARK DESIGNS

350 Dewitt Ave Brooklyn NY 11207 USA