

REJUVENATION

www.rejuvenation.com

Taylor

Pedestal sink with single faucet drilling



Faucet sold separately

W: 17-³/₄"
D: 18-³/₄"
H: 32-¹/₄"

Column Dimensions

Bottom: 6-¹/₄" X 6-¹/₄"
Top: 7-¹/₄" X 6-³/₄"

Back of basin to center of faucet: 6-⁵/₈"
Back of basin to center of drain: 11-¹/₂"
Mount bolts height: 30"
Weight: 44 lbs.

Interior Dimensions:

Basin interior: 16-¹/₂" x 9-¹/₄"
Basin depth: 4-³/₈"
Faucet and spout holes: 1-³/₈"

Features:

- Made of Vitreous China
- Designed for corner installation
- Pre-drilled with 1 faucet hole
- Pre-drilled overflow hole
- Mounting hardware included

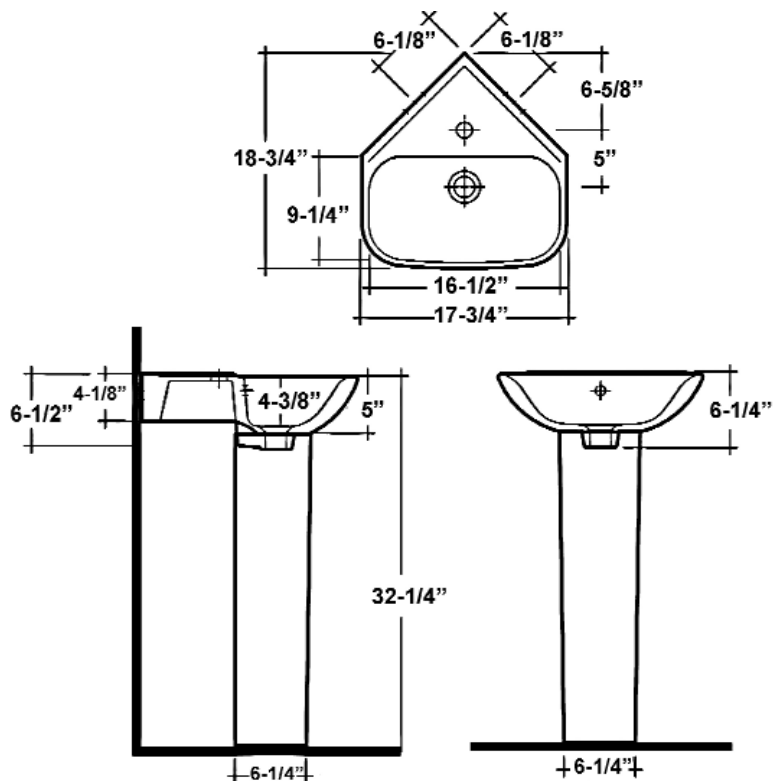
Colors:

WH White



Compliance Certification

Meets or exceeds the following specifications: ASME A112.19.2 2018 and CSA B45.1-18 for ceramic plumbing fixtures.



Dimensions of fixture are nominal and may vary within the range of tolerances established by ASME Standard A112.19.2-2018. Dimensions and specifications subject to change without notice.