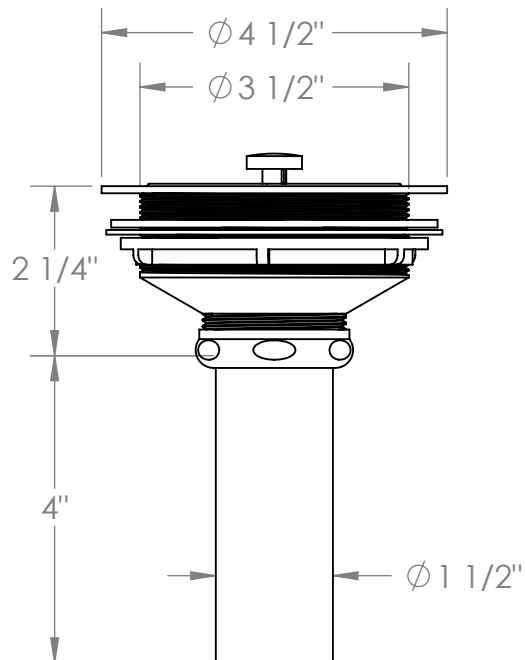


REJUVENATION

www.rejuvenation.com

Kitchen Sink Basket Strainer

Fits ϕ 3.5" sink holes and sink thicknesses up to 5/8"



Meets the applicable requirements of ASME A112.18.2-2005/CSA B125.2-05, entitled "Plumbing Waste Fittings"