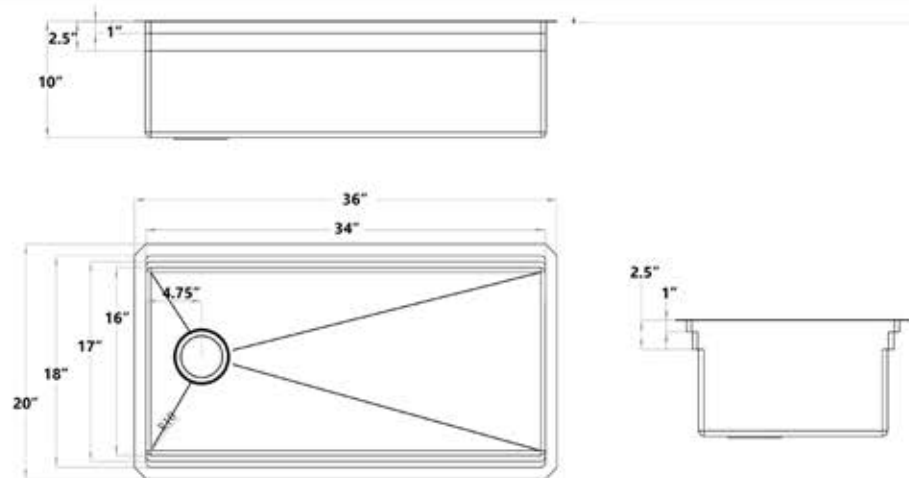


Pro Series Collection
 Premium Stainless Steel
 Small Radius Undermount Kitchen Sink



MODEL:
SR-PS-3620-OSD



Overall Dimensions	Interior Bowl	Interior Ledge Dimensions	Drain Opening	Bottom Grid
36" x 20" x 10"	34" x 16" At bottom /basin	34" x 17" 34" x 18"	3.5"	Included

FEATURES

- Premium 304, 16 gauge Stainless Steel Kitchen Sink
- Colander Included, fits 16" ledge
- 10" Bowl Depth
- Offset Drain
- Limited Lifetime Manufacturers Warranty
- Insulated to Reduce Condensation
- Rubber Padding is Applied for Noise Reduction
- Included Roll Up Matt fits ledge -use as drying rack or trivet
- Bottom Grid and Colander Drain are included



PROJECT/ NAME:

ARCHITECT/CONTRACTOR:

MODEL:

JOB NOTES: