

REJUVENATION

Warren House Number

CALIFORNIA PROPOSITION 65 WARNING: This product contains brass hardware components which contain lead, a heavy metal known by the State of California to cause cancer, birth defects, or other reproductive harm.

PARTS INCLUDED:

House Number	1 pc	Mounting Pin	2 pcs for 0, 1 and 2;
Template	1 pc		3pcs for 3, 4, 5, 6, 7 and 9; 4pcs for 8.

TOOLS REQUIRED: Pencil, Drill with an appropriate size bit.

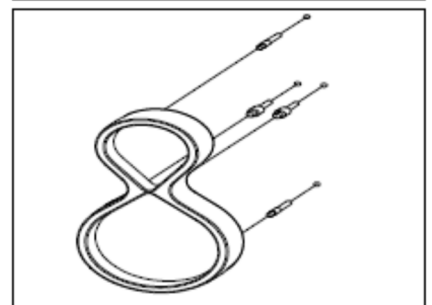
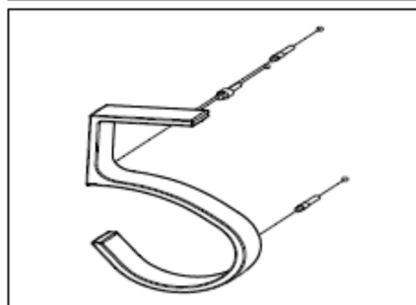
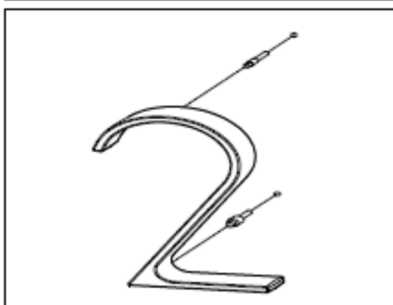
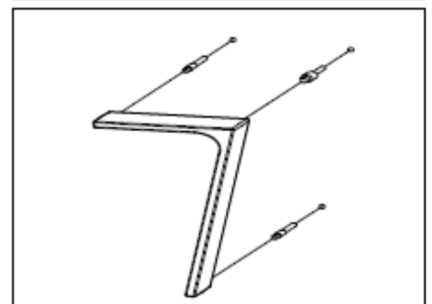
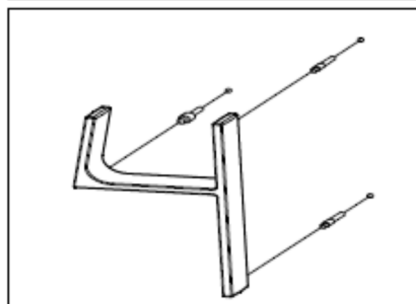
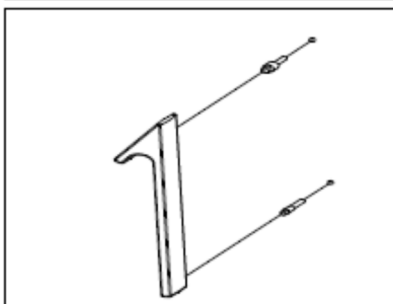
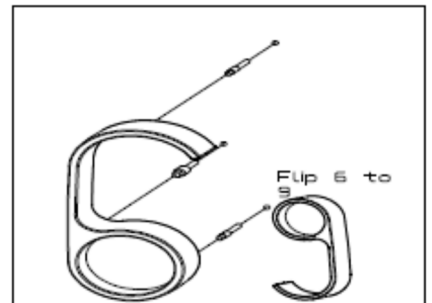
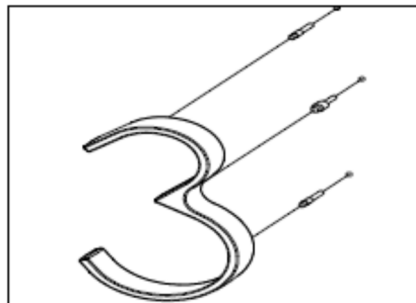
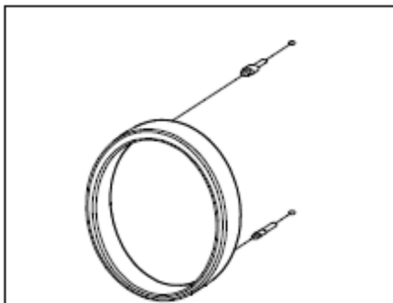
INSTALLING INSTRUCTIONS

Note: Mounting pins are provided for mounting to wood board. Please consult your local hardware store for assistance when mounting on walls made of alternate material.

1. Determine the desired mounting location for your house number(s). Using the supplied template, mark the locations of mounting pins.
2. Use a 1/8inch diameter drill bit and an appropriate drill to make holes at these marks. Drill each hole for 1-1/4" in depth.
3. Threading mounting pins into the back of house number. Apply a small amount of clear adhesive caulk in each hole and press the house number posts firmly into the previously drilled holes, adjusting as necessary to keep spacing from top to bottom even. Note: Using a hammer over a small block of wood--to protect the number--may be necessary.

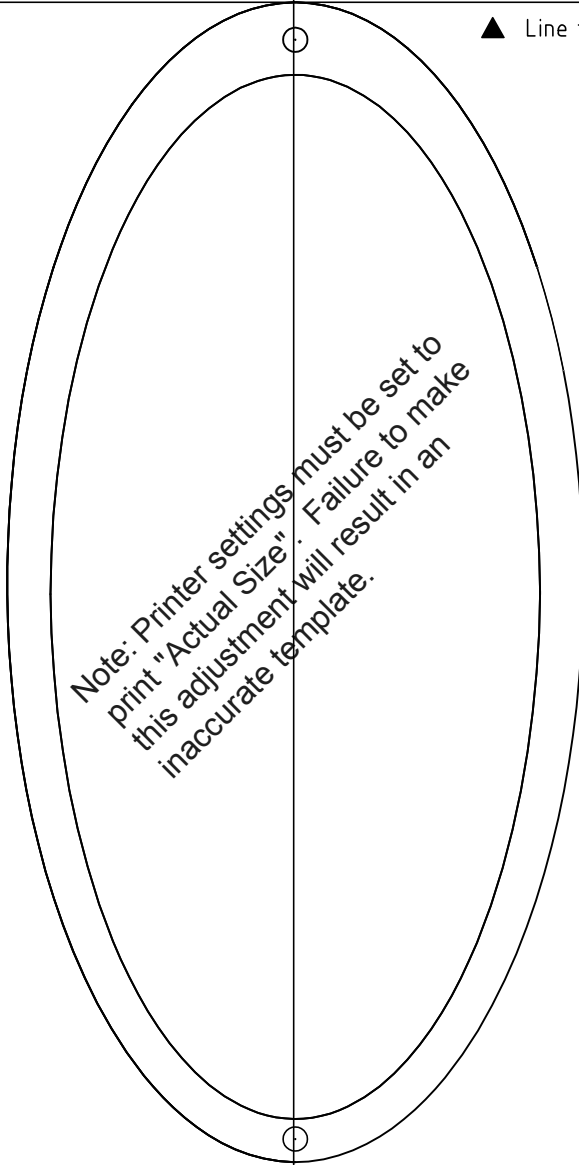
CARE INSTRUCTIONS

Wipe with a soft, dry cloth. To protect the finish, do not use household cleaners or abrasives.



REJUVENATION

▲ Line for alignment



◀ Line for alignment

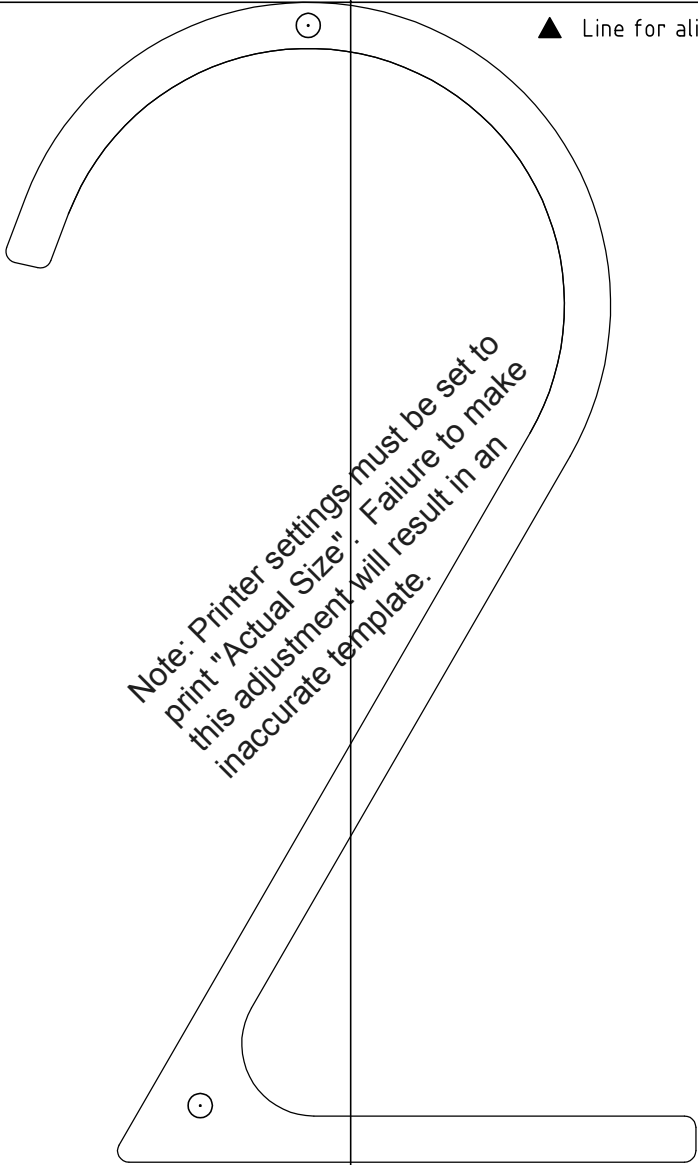
REJUVENATION

▲ Line for alignment

Note: Printer settings must be set to print "Actual Size". Failure to make this adjustment will result in an inaccurate template.

◀ Line for alignment

REJUVENATION



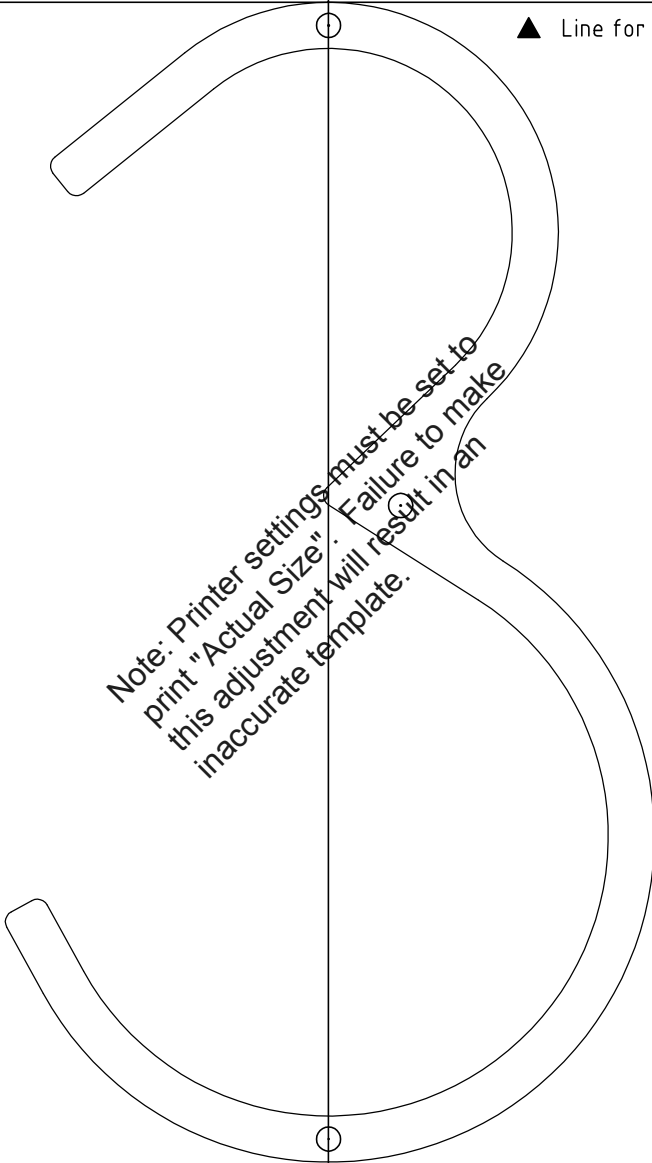
▲ Line for alignment

Note: Printer settings must be set to print "Actual Size". Failure to make this adjustment will result in an inaccurate template.

◀ Line for alignment

REJUVENATION

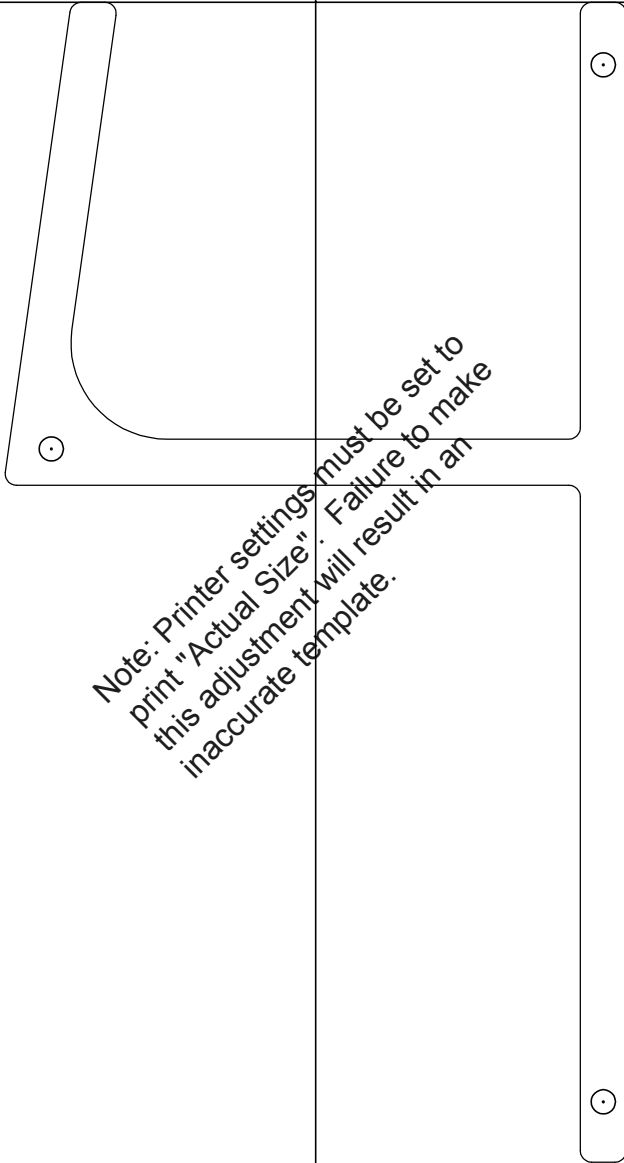
▲ Line for alignment



Note: Printer settings must be set to print "Actual Size". Failure to make this adjustment will result in an inaccurate template.

◀ Line for alignment

REJUVENATION

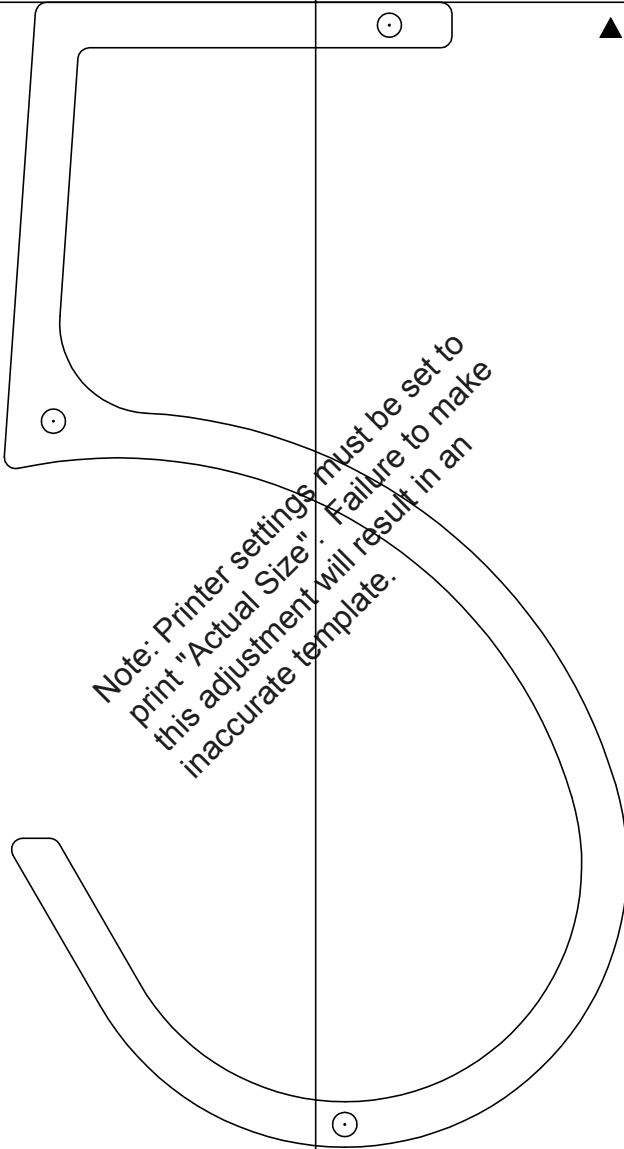


Note: Printer settings must be set to print "Actual Size". Failure to make this adjustment will result in an inaccurate template.

▲ Line for alignmer

◀ Line for alignment

REJUVENATION

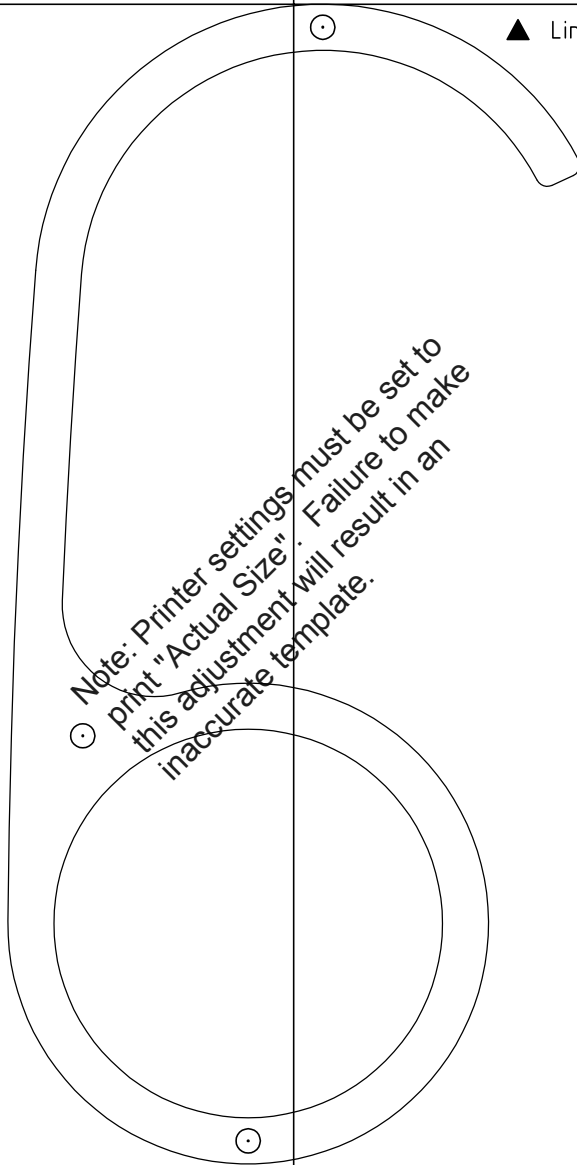


▲ Line for alignment

Note: Printer settings must be set to print "Actual Size". Failure to make this adjustment will result in an inaccurate template.

◀ Line for alignment

REJUVENATION

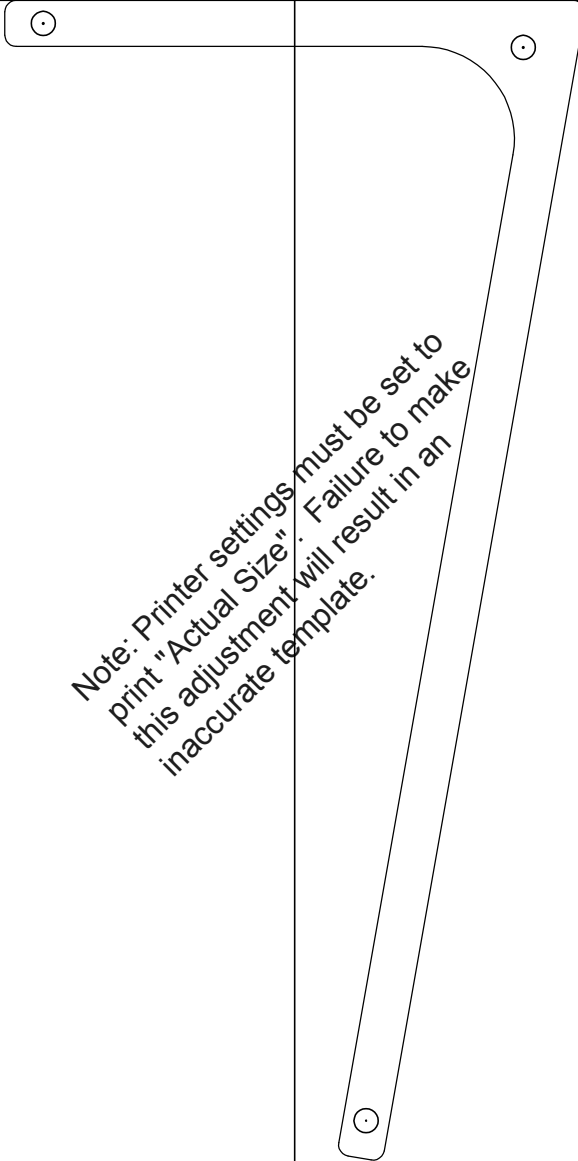


▲ Line for alignment

Note: Printer settings must be set to print "Actual Size". Failure to make this adjustment will result in an inaccurate template.

◀ Line for alignment

REJUVENATION



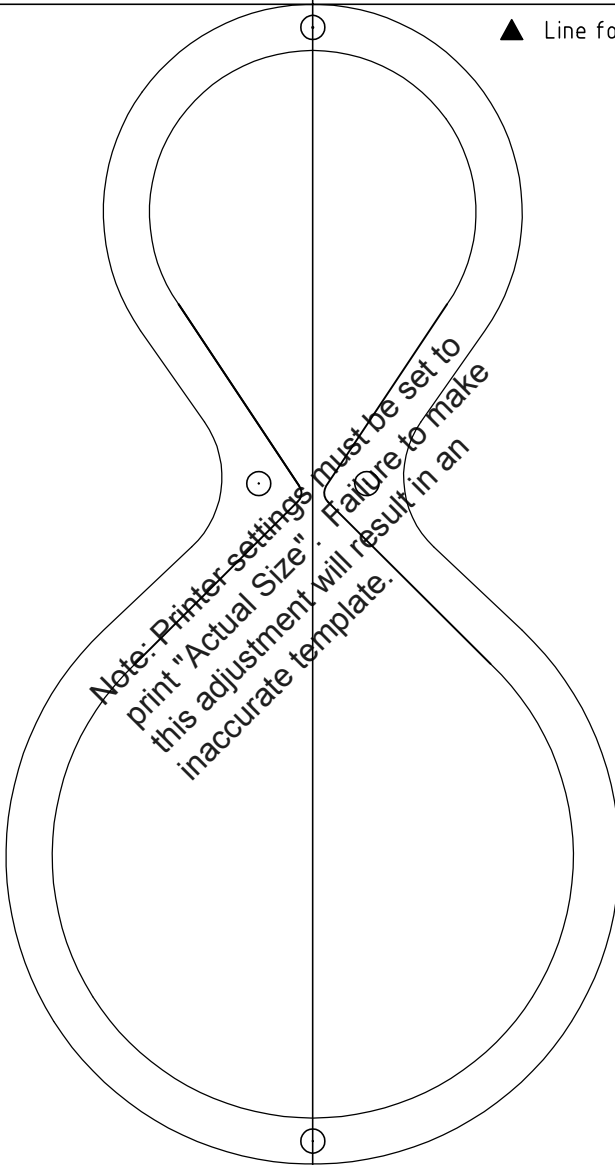
▲ Line for alignment

Note: Printer settings must be set to print "Actual Size". Failure to make this adjustment will result in an inaccurate template.

◀ Line for alignment

REJUVENATION

▲ Line for alignment



Note: Printer settings must be set to print "Actual Size". Failure to make this adjustment will result in an inaccurate template.

◀ Line for alignment