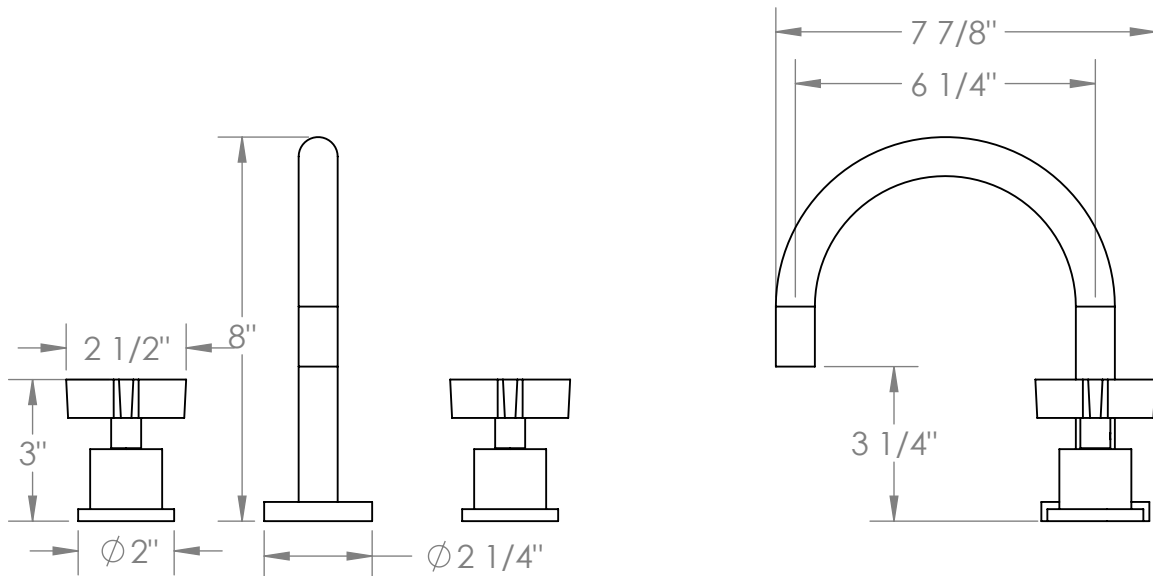


# REJUVENATION

www.rejuvenation.com

## WEST SLOPE

Short Spout Cross Handle Widespread  
Bathroom Faucet



Meets the applicable requirements of ASME A12.18.1-2005/CSA B125.1-05, entitled "Plumbing Supply Fittings"

# WATERMARK DESIGNS

350 Dewitt Ave Brooklyn NY 11207 USA