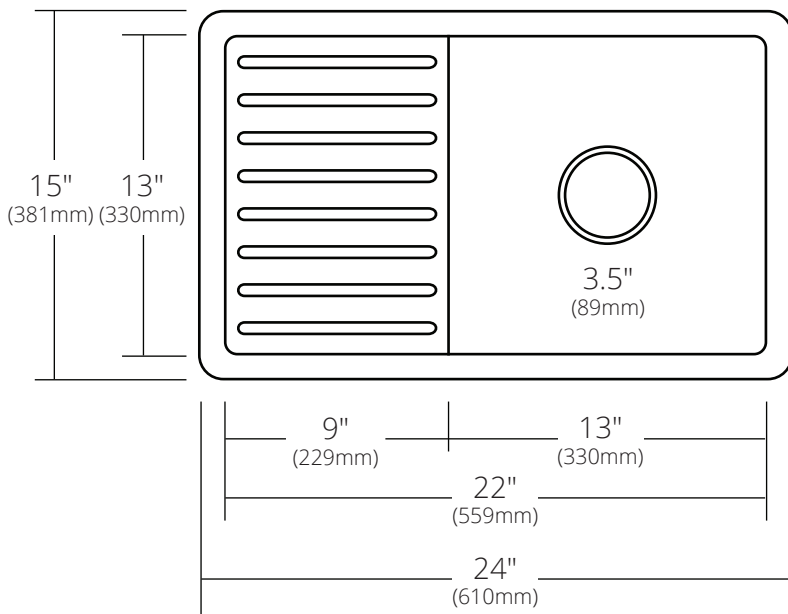


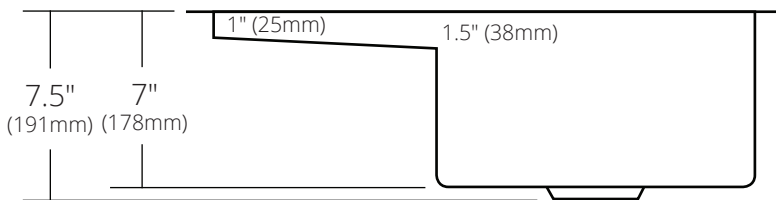
SPECIFICATIONS

CANTINA PRO

TOP VIEW



SIDE VIEW



CPS233 Antique
CPS533 Brushed Nickel

PRODUCT DETAILS

- 24" x 15" x 7.5" OD (610mm x 381mm x 191mm)
- Basin: 13" x 13" x 7" ID (330mm x 330mm x 178mm)
- Hand hammered 17 gauge recycled copper
- 3.5" (89mm) drain opening

INSTALLATION

- Undermount

COORDINATING PRODUCTS

- Drains: DR320 or DR340
- Bottom Grid: GR934

STANDARDS COMPLIANCE

- UPC/cUPC compliant

IMPORTANT

Due to the handcrafted nature of this product, it will vary in finish, texture, hammering, and other details. Dimensions may vary up to ¼" (6mm). We strongly recommend waiting for the actual product before making any installation cuts.