



### Features

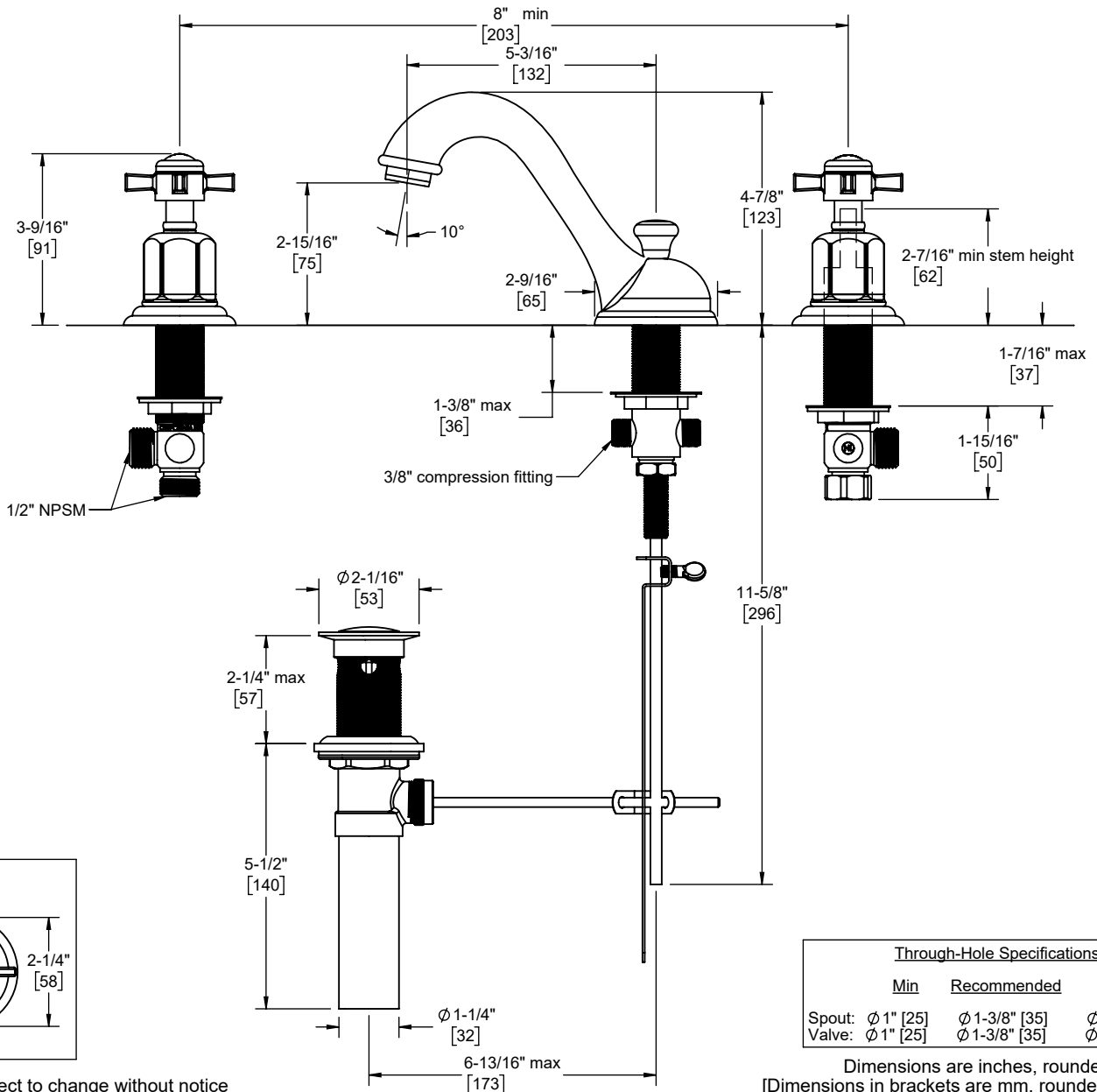
- Available in 27 finishes including 12 PVD finishes
- All brass construction
- 5-3/16" spout center to center
- 1/4 turn ceramic disc cartridge(s)
- Flexible braided hoses for ease of installation
- ø1-1/4" all brass lift rod style pop up drain assembly
- 1.2 gpm (4.5 L/min) max flow rate



### Codes/Standards

Product meets or exceeds the following:

- ASME A112.18.1/CSA B125.1
- NSF 61, NSF 372, CEC & DOE
- EPA WaterSense
- Commonwealth of MA



Through-Hole Specifications			
	Min	Recommended	Max
Spout:	ø 1" [25]	ø 1-3/8" [35]	ø 1-5/8" [41]
Valve:	ø 1" [25]	ø 1-3/8" [35]	ø 1-1/2" [38]

Dimensions are inches, rounded to 1/16"  
[Dimensions in brackets are mm, rounded to 1mm]

Specifications subject to change without notice



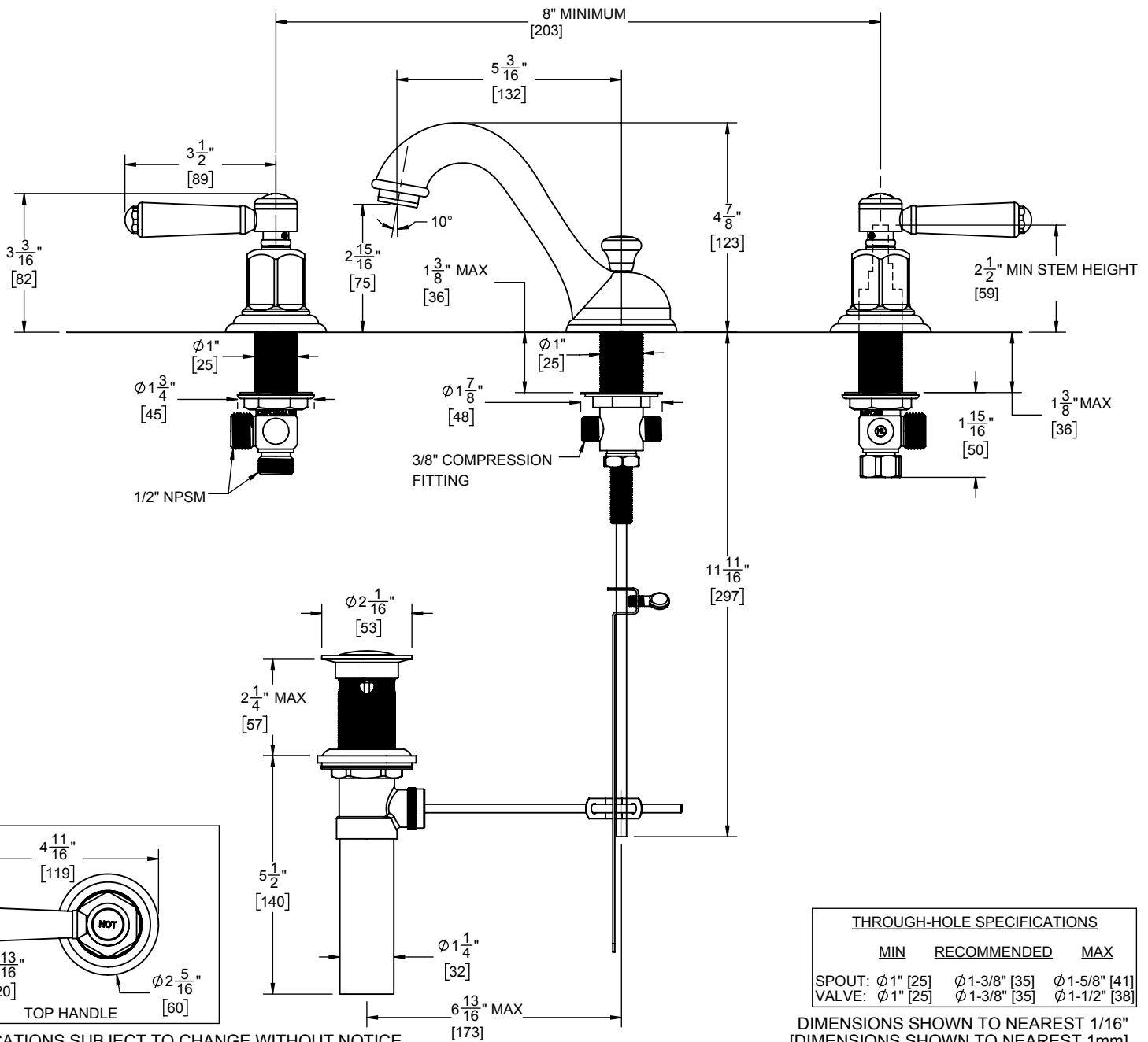
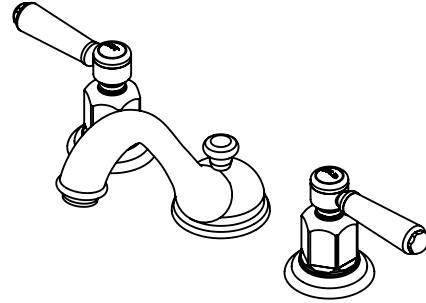
**Features**

- Available in 28 finishes including 13 PVD Finishes
- All brass construction
- 5-3/16" spout center to center
- 1/4 turn ceramic disc cartridge(s)
- Flexible braided hoses for ease of installation
- Ø 1-1/4" all brass lift rod style pop up drain assembly
- 1.2 gpm (4.5 L/min) max flow rate

**Codes/Standards**

Meets or exceeds the following at date of manufacture:

- ASME A112.18.1/CSA B125.1
- NSF/ANSI 61 & NSF/ANSI 372
- CEC / DOE
- EPA WaterSense High Efficiency Lavatory
- Commonwealth of MA
- ADA compliant



SPECIFICATIONS SUBJECT TO CHANGE WITHOUT NOTICE



800-822-8855  
5271 Argosy Ave.  
Huntington Bch, CA 92649  
californiafaucets.com

California Faucets®

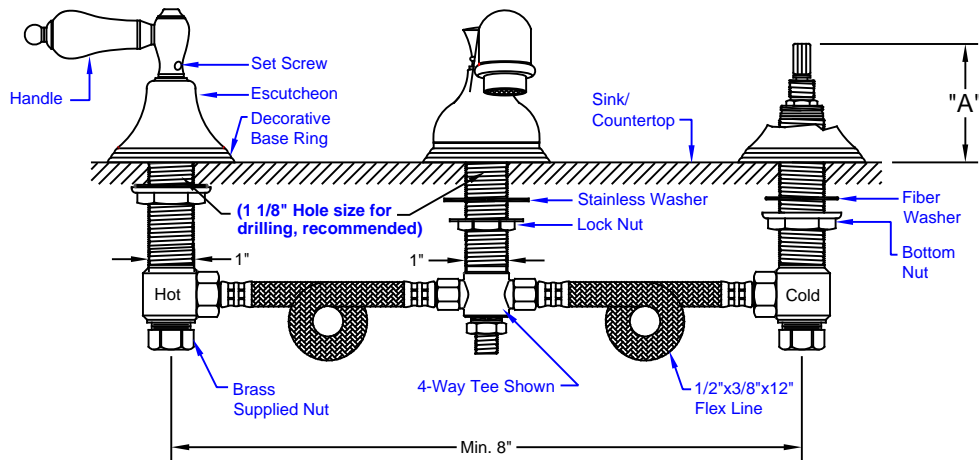
# WIDESPREAD FAUCETS

**INSTALLATION  
INSTRUCTIONS**

## IMPORTANT

All California Faucets® products are engineered to provide quality performance provided they are installed and operated properly. To fully enjoy the comfort, safety, and reliability of your new Widespread Faucet, please follow the instructions below.

California Faucets reserves the right to make modification and specification changes at any time. Please visit [californiafaucets.com](http://californiafaucets.com) for most current technical data.



<b>"A" DIMENSION</b>			
"A" Dimension is from sink/countertop to tip of stem broach			
Handle Series #	"A"	Handle Series #	"A"
32	2 5/16"	51	2 1/2"
33	2 5/16"	53	2 1/4"
34	2 5/16"	55	2 7/16"
35	2 5/16"	57	1 11/16"
36	2 5/16"	58	2 1/2"
38	2 1/2"	59	2 1/2"
40	2 7/16"	60	2 1/16"
42	2 7/16"	61	2 1/16"
44	2 3/4"	63	2 15/16"
45	2"	64	2 1/2"
46	2 5/16"	67	2 1/16"
47	2 5/16"	68	2 5/16"
50	2 1/8"	69	2 5/16"

Fig. 1

\*\*\*NOTE: SHUT OFF WATER SUPPLY BEFORE BEGINNING INSTALLATION\*\*\*

### 1 Install spout according to the type of tee it has:

#### For spout with 4-way tee:

- Remove the Tee, Flange Nut and Stainless Steel Washer.
- Insert the spout through center hole of the sink or countertop.
- Place Washer and Flange Nut onto Shank from below. Align spout and tighten Flange Nut until Spout is firmly in place.
- With O-Ring in place on end of Shank, slide Tee onto Shank.
- Place the Rubber Washer, Brass Washer and Nut onto Nipple and tighten.

◀OR▶

#### For spout with 3-way tee:

- Remove the tee, lock nut and notched washer.
- Insert the spout through center hole of the sink or countertop.
- Slip the notched washer over spout shank. Align notch for pop-up rod to pass through, then thread lock nut onto the spout shank. Align spout and tighten nut firmly.
- Place white washer into top of tee and screw assembly onto spout shank.
- Insert lift rod through top of spout

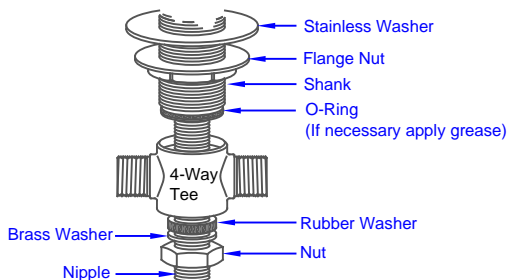


Fig. 2

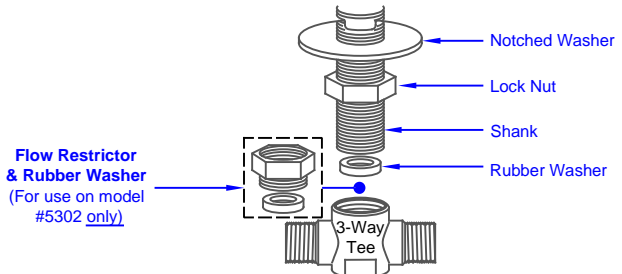


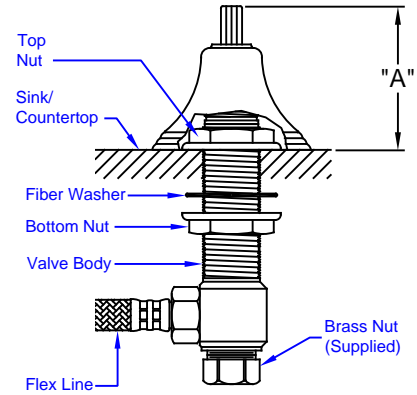
Fig. 3

**NOTE: Due to sediment in the water it may be necessary on occasion to remove the aerator and clean the screen with a soft bristle toothbrush.**

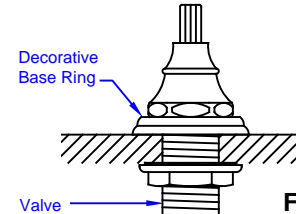
**IMPORTANT CLEANING NOTICE**  
Please refer to *Finish Care Instructions* for complete cleaning information. Wipe frequently with a soft, damp cloth. **Never use acids, harsh abrasives or detergents.**

**2****Install valve bodies:****NOTE:** Hot & cold valves are labeled: *cold=blue & hot=red.*

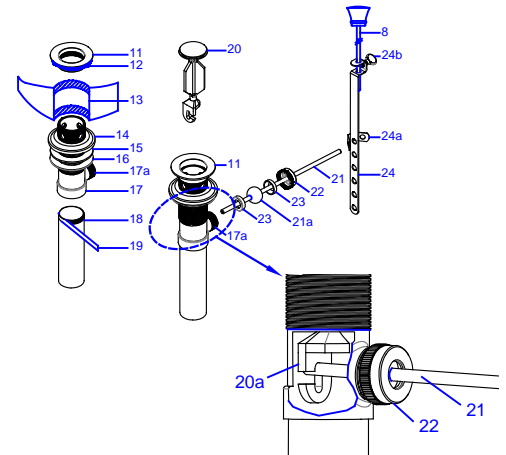
- Remove top nut and turn bottom nut with fiber washer down the valve until it stops.
  - Insert valve through hole from below and install top nut (if applicable), and adjust to proper height, see Fig. 4A (also refer to "A" dimension table on page 1).
  - Tighten the bottom nut to secure the valve.
  - Install trim parts (base ring if applicable), escutcheon and handle and tighten handle set screws with Allen key provided.
- REMINDER: Please retain allen key as handles may require re-tightening with normal use.**
- Attach flex lines to valve and spout tee. Hand-tighten. Then go 1/4 to 1/2 turn more with wrench (not supplied). Do not overtighten.

**Fig. 4A****Installation Note for series:****# 32, 33, 34, 35, 36, 43, 57, 60, 61, 67, 68 & 69.**

The trim to those products do not require a top nut to be installed on the valve (See Fig. 4A)  
 The decorative base ring and escutcheon takes the place of the top nut. (See Fig. 4B).

**Fig. 4B****3****Install LIFT ROD STYLE pop-up assembly.**

- Remove COLLAR (11) from pop-up assembly and apply silicone CAULK (12) (or equivalent) to underside of COLLAR (11)
- CAUTION:** Do not use or any oil base sealant that may damage finish
- insert drain BODY (17) from underside through sink drain HOLE (13) & attach to COLLAR (11)
  - Align BALL ROD HOLE (17a) toward rear of sink and firmly tighten FLANGE NUT (16) against FRICTION WASHER (15), MACK WASHER (14) and sink drain HOLE (13)
  - Remove TAILPIECE (18) from drain BODY (17), apply thread SEALANT (19) to TAILPIECE (18) threads and tighten into drain BODY (17)
  - Insert STOPPER (20) into COLLAR (11) & rotate off-set HOOK (20a) to front of sink to accept BALL ROD (21)
  - Remove spring CLIP (24a) from BALL ROD (21)
  - Place CONE WASHERS (23) on both sides of ball rod BALL (21a) with NUT (22) to backside
  - Insert BALL ROD (21) into body BALL ROD HOLE (17a) and through off-set HOOK (20a)
  - Tighten NUT (22), but allow BALL ROD (21) to freely move up & down
  - Place STRAP (24) onto LIFT ROD (8) and tighten THUMB-SCREW (24b)
  - Place one end of CLIP (24) onto BALL ROD (21), then STRAP (24), gently squeeze CLIP (24a) and slide other end of CLIP (24a) onto BALL ROD (21)
  - Check proper operation of STOPPER (20) and adjust by sliding STRAP (24) on LIFT ROD (8) as necessary

**Install TOUCH STYLE pop-up assembly.**

Slide white foam WASHER (14) up under flange of BODY (9)

-or-

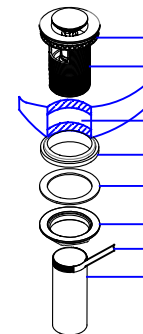
Apply thin film of Silicon sealant (or equivalent - DO NOT use petroleum-based sealant as this WILL void finish warranty) to underside of flange on BODY (9)

Insert BODY (9) down through sink drain HOLE (15)

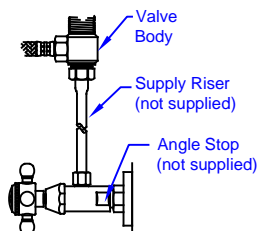
From underside, slide MACH-WASHER (10) and FRICTION-WASHER (10a) up onto BODY (9)

Secure BODY (9) into place with flange NUT (11)

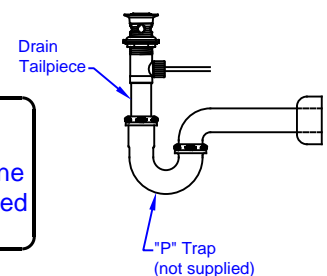
Apply Teflon tape (13) (not supplied) to threaded portion of TAILPIECE (12) &amp; tighten onto BODY (9)

**4****Connect faucet to water supply:****IMPORTANT:** Flush supply lines of all debris prior to connecting to lavatory valve bodies. Debris remaining in the line will damage valve bodies and cause leaking. Failure to flush the lines could result in voiding the warranty.

- Connect supply risers from the angle stops.

**5****Install "P" trap:**

-Connect your waste "P" trap to the drain tailpiece.



**NOTE:**  
 P-trap, angle stops, and supply risers are not supplied. We recommend genuine Cal-Trim parts available at your authorized California Faucets dealer.