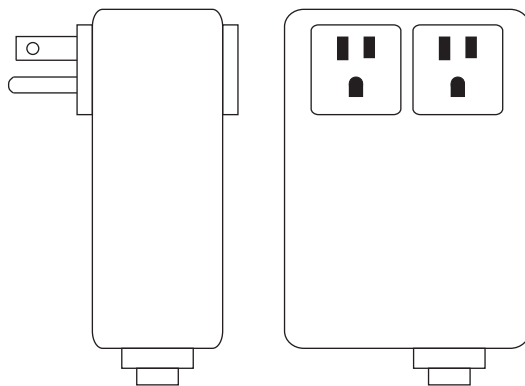
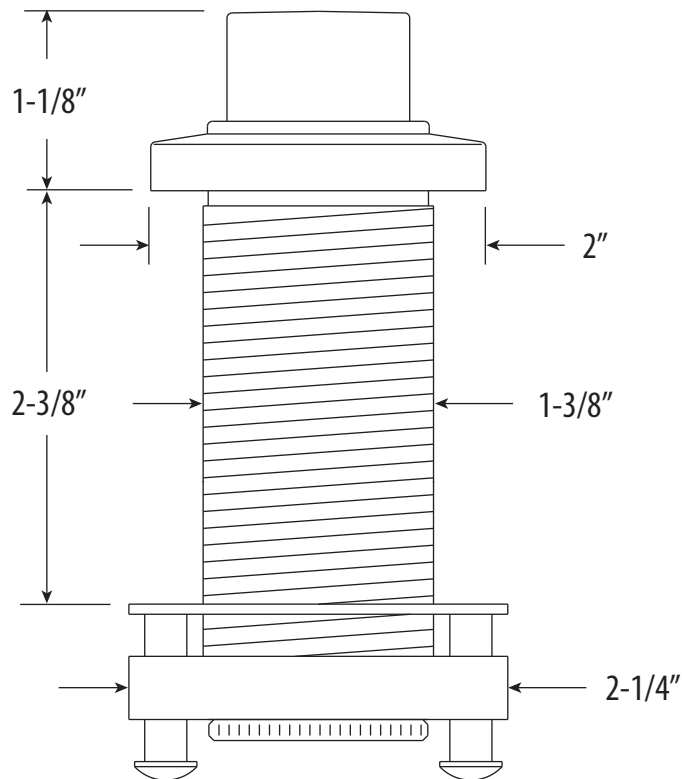


## CONTEMPORARY AIR SWITCH

# 3010

- MAX COUNTER THICKNESS 2-5/8"
- INSTALL HOLE SIZE ADAPTABLE UP TO 1-1/2"



**Connection Box**  
 4-1/4"H x 3"W x 2"D  
 120v 15Amp 1Hp  
 9-1/2' Tubing included

*DIMENSIONS MAY VARY AND ARE SUBJECT TO CHANGE. NO RESPONSIBILITY IS ASSUMED FOR USE OF SUPERCEDED OR VOIDED DATA*



# AIR SWITCH INSTALLATION

Contemporary Model # 3010

Traditional Model # 4010

Industrial Model # 9010

## BEFORE YOU BEGIN YOUR INSTALLATION:



Turn off water supply.

### REQUIRED TOOLS:



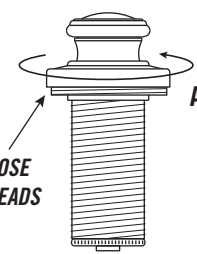
1. Phillips Screwdriver

### PARTS INCLUDED:

USM1375

Undersink Mounting Hardware  
(1-1/4")

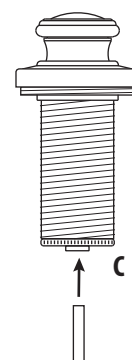
**1.**



**EXPOSE THREADS**

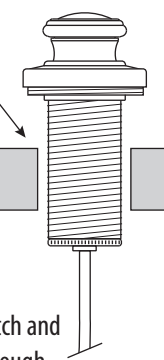
Before inserting air switch into hole, loosen switch base (A) until threads are exposed.

**2.**



Slide clear tubing (B) into tube fitting (C) at bottom of air switch shroud.

**3.**



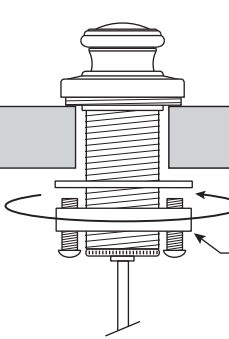
**1-1/2" HOLE**

**COUNTER OR SINK**

Fit air switch and tubing through 1-1/2" hole on counter or sink.

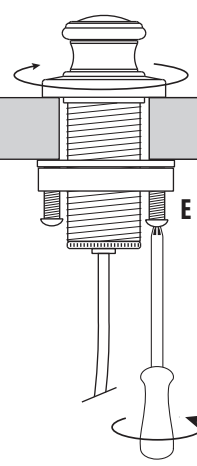
*(No plumbers putty is required. O-ring seals base.)*

**4.**



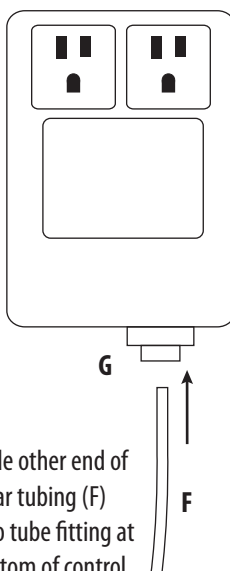
Slide washer up then thread the clamp nut onto threaded shroud. Hand tighten nut to underside of sink or counter until snug.

**5.**



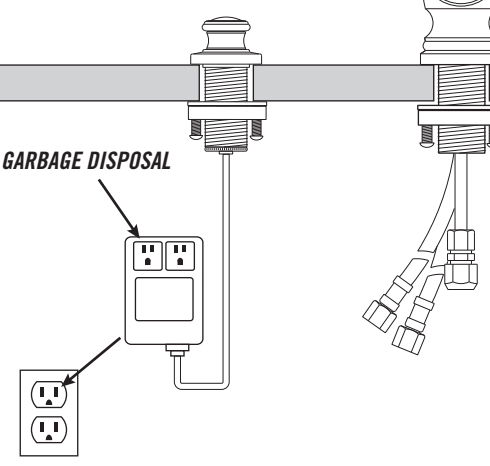
Tighten clamp screws (C) securely with screwdriver. Hand tighten switch base back down to cover threads.

**6.**



Slide other end of clear tubing (F) into tube fitting (G) at bottom of control box (G).

**7.**



**GARBAGE DISPOSAL**

Plug control box into undersink electrical outlet. Garbage disposal can be plugged into either dual outlet.