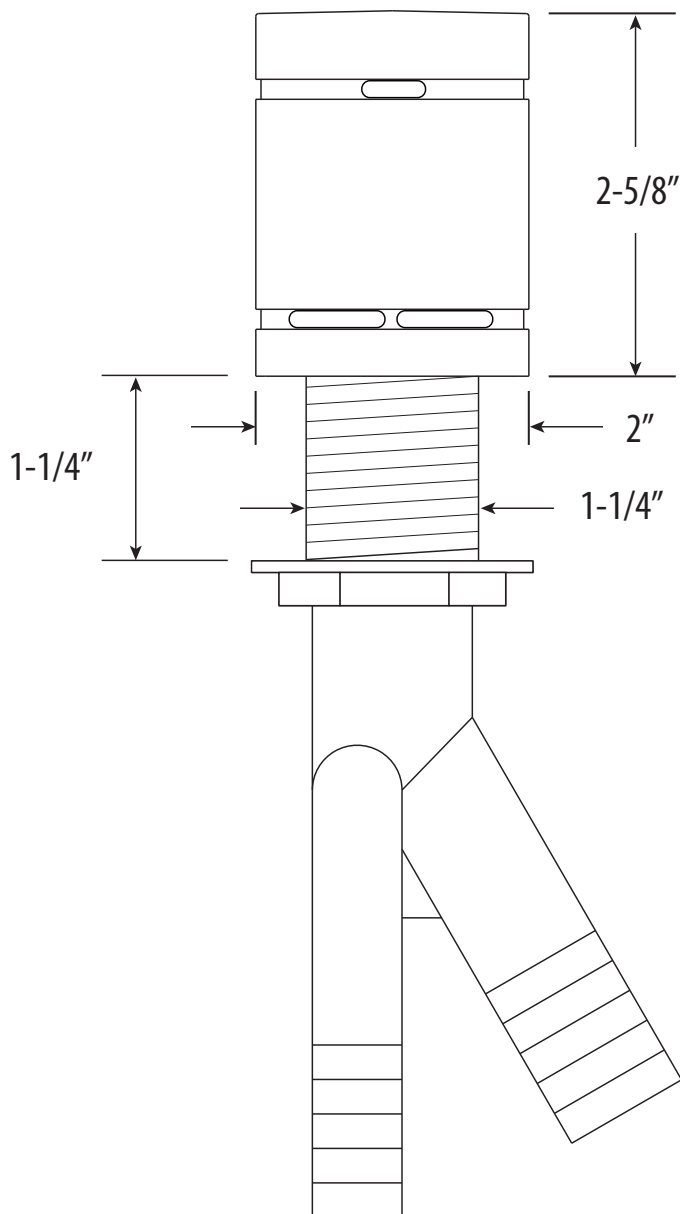


CONTEMPORARY SINGLE PORT AIR GAP

3020

- MAX COUNTER THICKNESS 1-1/4"
- INSTALL HOLE SIZE ADAPTABLE UP TO 1-3/8"



DIMENSIONS MAY VARY AND ARE SUBJECT TO CHANGE. NO RESPONSIBILITY IS ASSUMED FOR USE OF SUPERCEDED OR VOIDED DATA



BEFORE YOU BEGIN YOUR INSTALLATION:



Turn off water supply.

REQUIRED TOOLS:



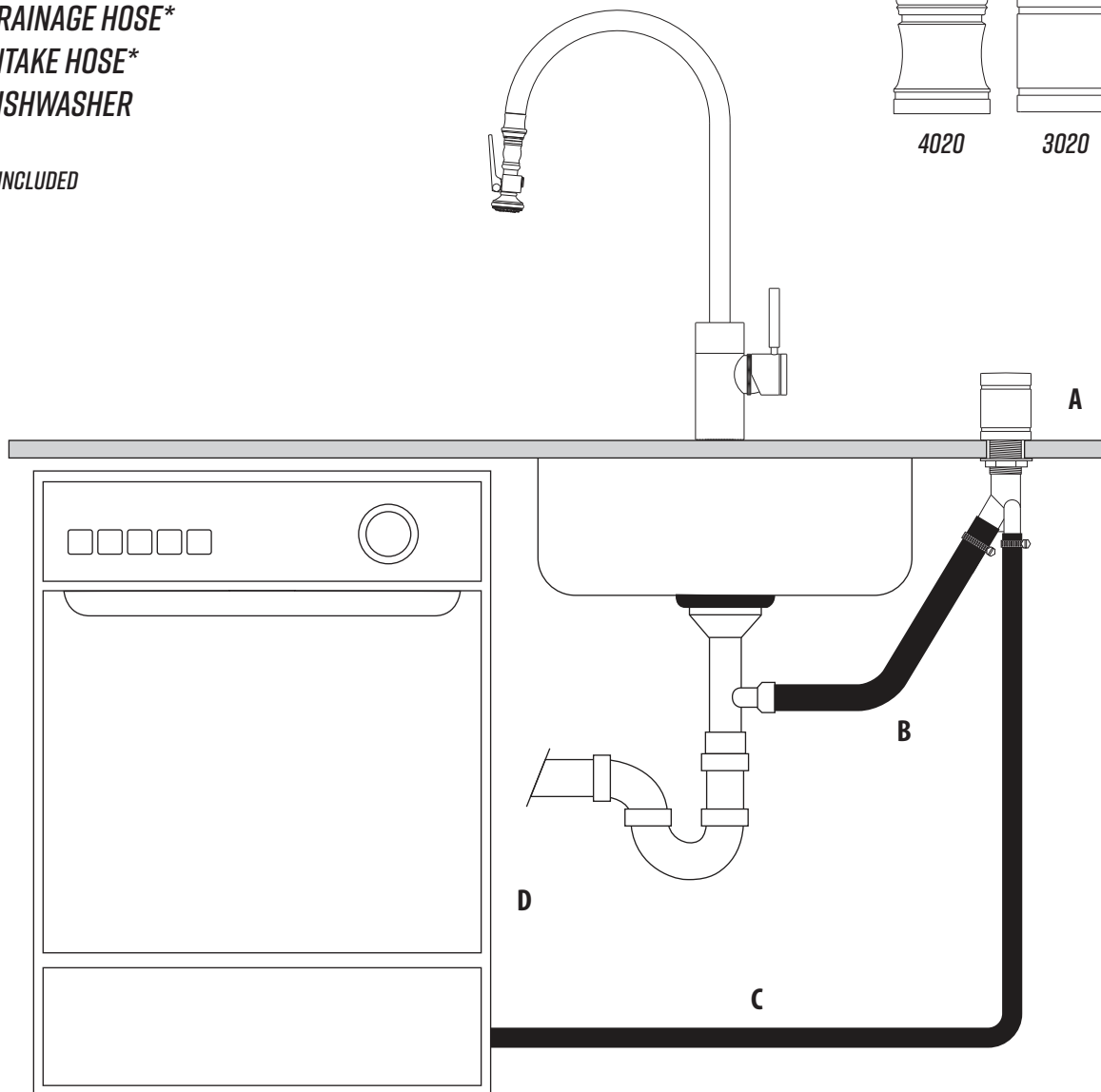
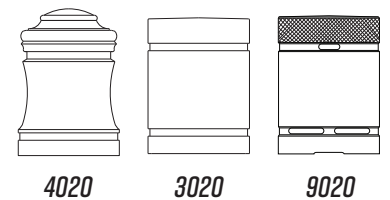
1. Phillips Screwdriver

PARTS INCLUDED:

Optional Button Caps -
Logo and Finish
(TRADITIONAL MODELS ONLY)

- A. SINGLE PORT AIR GAP*
- B. DRAINAGE HOSE**
- C. INTAKE HOSE**
- D. DISHWASHER*

**NOT INCLUDED*



SINGLE PORT AIR GAP INSTALLATION

MODELS # 3020, 4020, 9020

