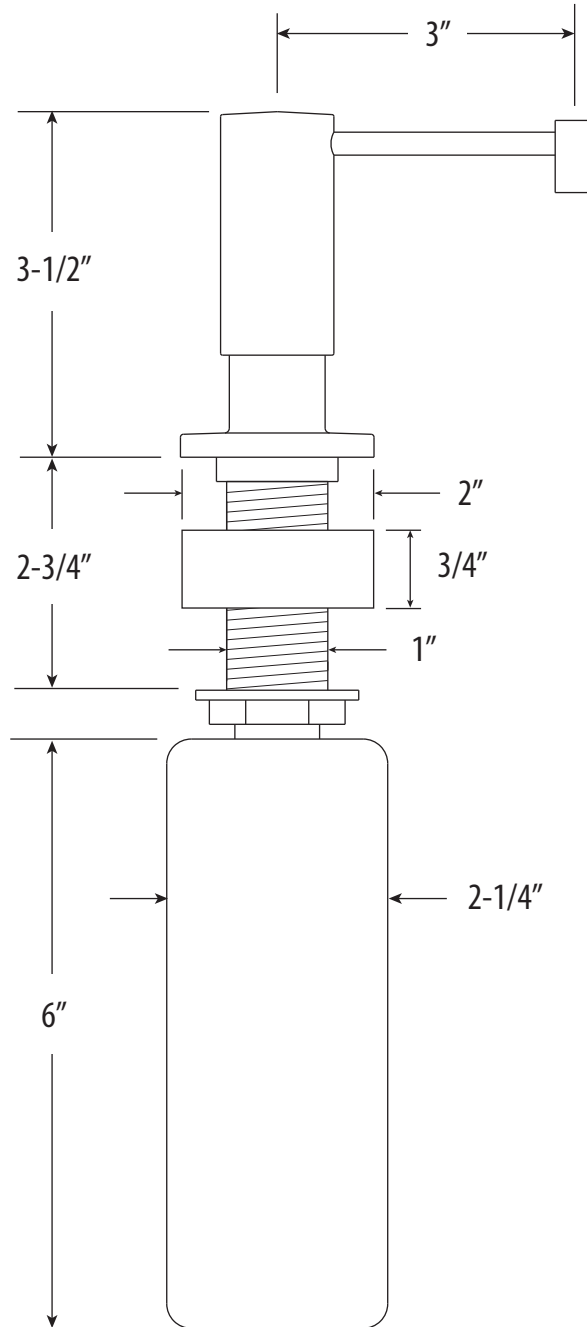


## CONTEMPORARY SOAP/LOTION DISPENSER

# 4065

- MAX COUNTER THICKNESS 2-3/8"
- INSTALL HOLE SIZE ADAPTABLE UP TO 1-3/8"



DIMENSIONS MAY VARY AND ARE SUBJECT TO CHANGE. NO RESPONSIBILITY IS ASSUMED FOR USE OF SUPERCEDED OR VOIDED DATA



# SOAP/LOTION DISPENSER INSTALLATION

CONTEMPORARY MODELS # 4065, 4065E  
 INDUSTRIAL MODELS # 9065, 9065E

**BEFORE YOU BEGIN YOUR INSTALLATION:**

**REQUIRED TOOLS:**



Adjustable Wrench

