



**K51-120S-XX**

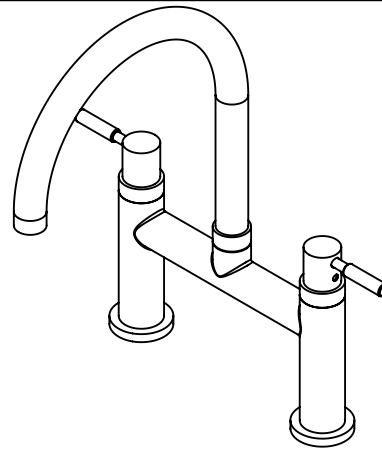
**Features**

- 25+ artisanal finishes including 12 PVD finishes
- All brass construction
- Spout rotates 360°
- 3-hole deck mount installation
- Built-in diverter for sidespray
- Insulated brass sidespray handle and trigger
- Mixed water supplied to sidespray without separate valve
- Flexible braided hoses for ease of installation
- 1/4 turn ceramic disc cartridge(s)
- 1.8 gpm (6.8 L/min) max flow rate

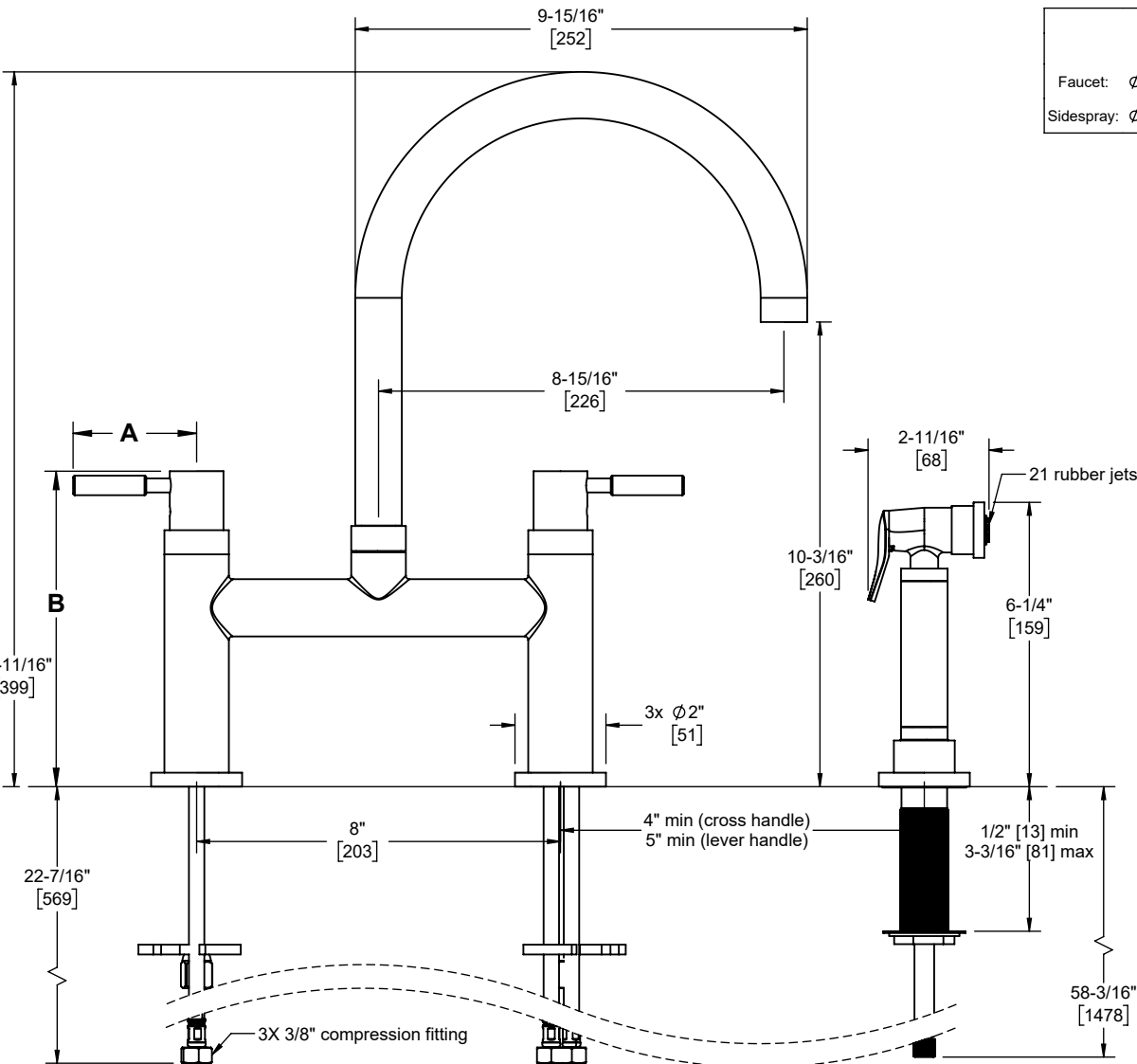
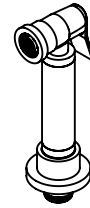
**Codes/Standards Applicable**

Product meets or exceeds the following:

- ASME A112.18.1/CSA B125.1
- NSF 61, NSF 372, CEC & DOE
- Commonwealth of MA
- ADA compliant (with lever handles)



K51-120S-62-ZZ shown



Through-Hole Specifications			
	Min	Recommended	Max
Faucet:	Ø 1-1/8" [29]	Ø 1-3/8" [35mm]	Ø 1-3/8" [35mm]
Sidespray:	Ø 1-1/8" [29]	Ø 1-3/8" [35mm]	Ø 1-3/8" [35mm]

Handle Style	A	B
45	3" [76]	6-11/16" [169]
45X	1-3/8" [35]	6-9/16" [167]
52	2-3/4" [69]	7-1/16" [179]
52B	2-3/4" [69]	7-1/16" [179]
62	2-11/16" [69]	6-15/16" [177]
62B	2-11/16" [69]	6-15/16" [177]
65	1-3/8" [36]	6-13/16" [173]
66	2-5/8" [66]	6-15/16" [177]
74	3" [76]	7-1/8" [181]
E3	2-3/4" [70]	6-13/16" [173]
E3B	2-3/4" [70]	6-13/16" [173]
E3RB	3" [76]	7-3-3/16" [183]
E3BRB	3" [76]	7-3-3/16" [183]



California Faucets®

# K10-I20(S)-XX

K30-I20(S)-XX / K30-I23(S)-XX

K51-I20(S)-XX / K51-I23(S)-XX

K81-I20(S)-XX / K81-I23(S)-XX

## Kitchen Bridge Faucet Installation Instructions

**CALIFORNIA FAUCETS RECOMMENDS THAT ALL PLUMBING PRODUCTS BE INSTALLED BY A LICENSED PROFESSIONAL**

**IMPORTANT: Read all instructions prior to installation and provide copy of instructions to consumer.**

### Operating Specifications:

Recommended Supply Pressure: 20 to 70 psi\*†

\* Operating pressures between hot and cold supplies should vary no more than 30 psi.

† If water pressure exceeds 70 psi, install a Pressure-Reducing Valve (PRV).

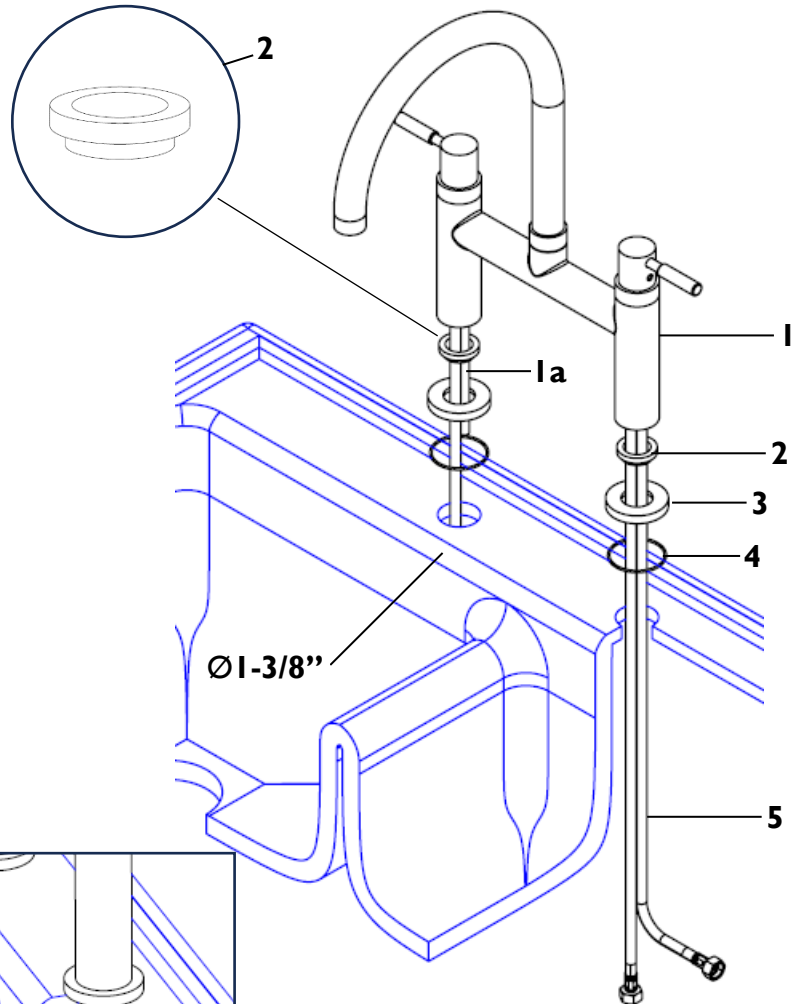
## I INSTALLING TO SINK/DECK

**NOTE:** Sink/deck recommended hole size is  $\varnothing 1-3/8"$

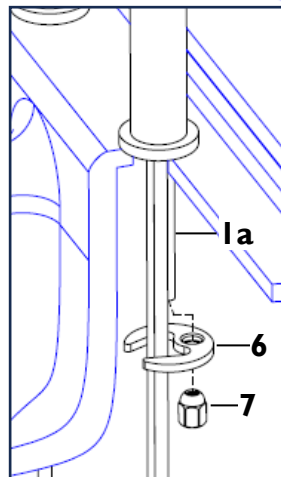
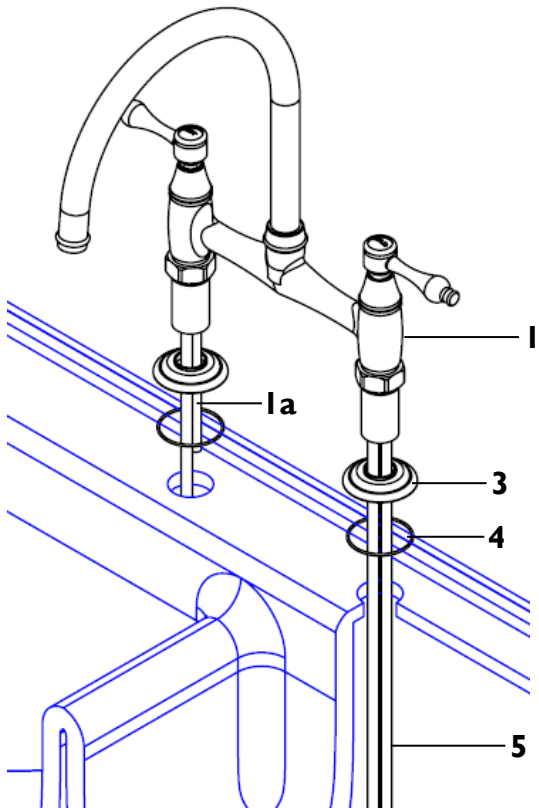
- Place BUSHING (2) and BASE (3) with O-RING (4) onto BODY (1)

**NOTE:** If installing a K10 faucet, there will be no BUSHING (2) needed, see below

- Slide HOSES (5) through sink/deck hole
- From underside slide BRACKET (6) and NUT (7) onto mounting ROD (1a); securely tighten NUT (7), repeat other side



**K10 Faucet**



**NOTE:** 2<sup>nd</sup> HOSE (5) on cold side is for sidespray models only

# 2

## WATER CONNECTIONS

**IMPORTANT:** Water supplies **MUST** be flushed before running water through faucet.

- Secure red colored **HOT INLET (5a)** to **HOT (8a)** supply
- Secure blue colored **COLD INLET (5b)** to **COLD (8b)** supply
- With faucet **HANDLE (1b)** in closed position, slowly open **HOT** and **COLD** supply **VALVES (8)**

**NOTE:** Flushing faucet procedure is dependent on if faucet has sidespray or not, see below

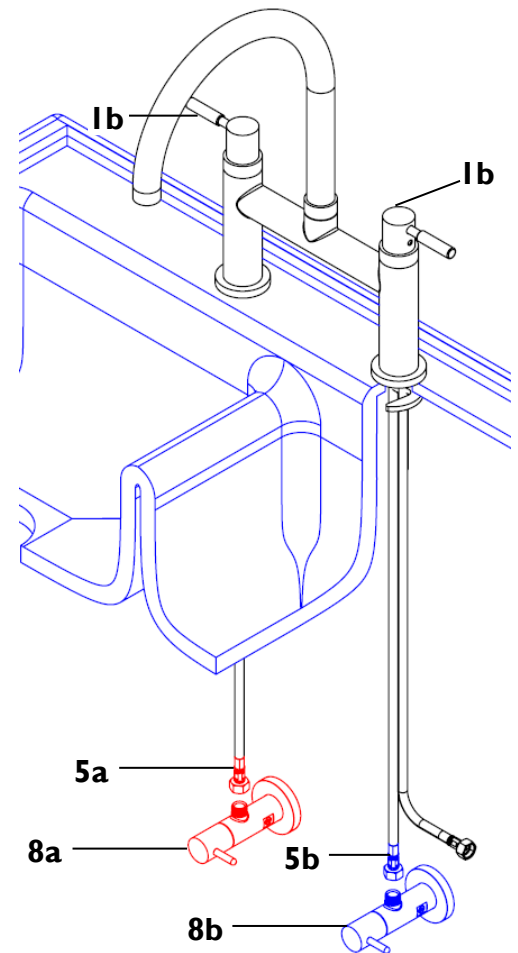
### LESS SIDESPRAY

- Use **KEY(9)** to remove **AERATOR (1d)**
- Slowly open **HANDLES (1b)** on faucet and cycle through cold and hot water until water runs clear

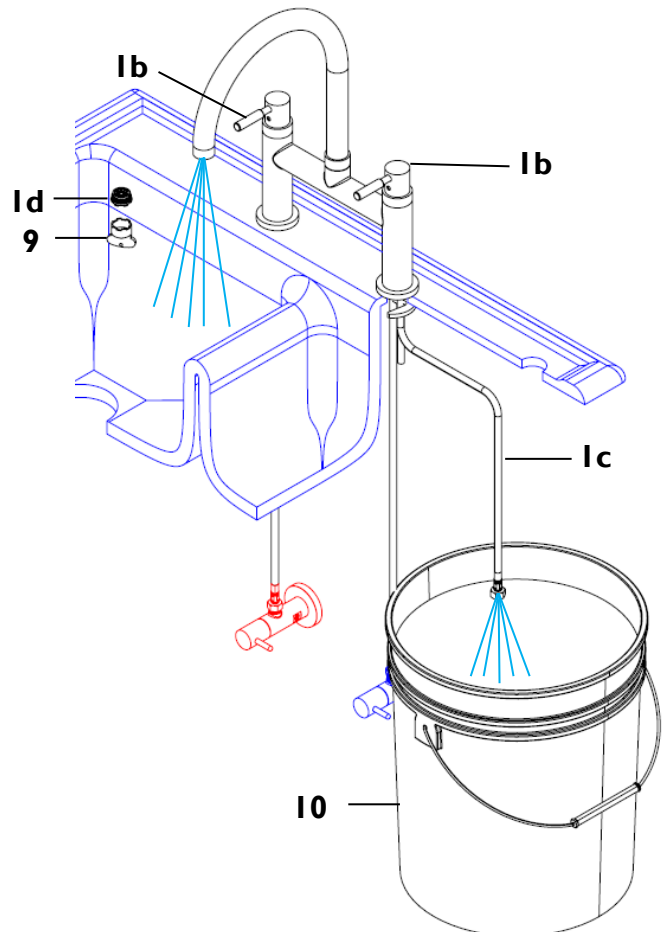
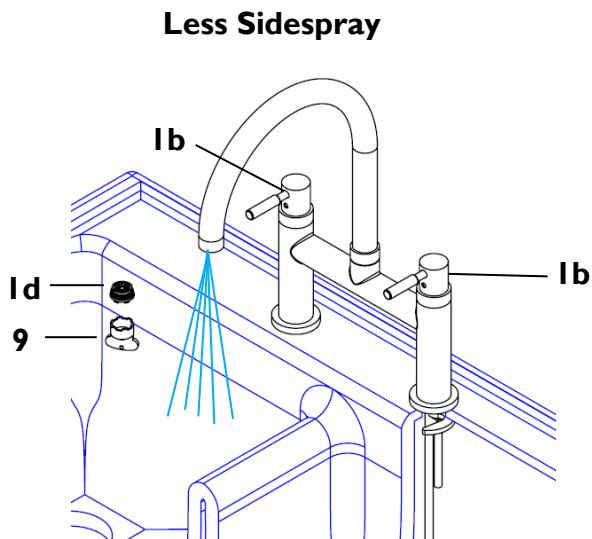
**NOTE:** Skip following steps if faucet does **NOT** have **SIDESPRAY (16)**

### WITH SIDESPRAY

- Use larger **KEY(9)** to remove **AERATOR (1d)**
- Place **MIX HOSE (1c)** hose into **BUCKET (10)**
- Slowly open **HANDLES (1b)** on faucet and cycle through cold and hot water until water runs clear



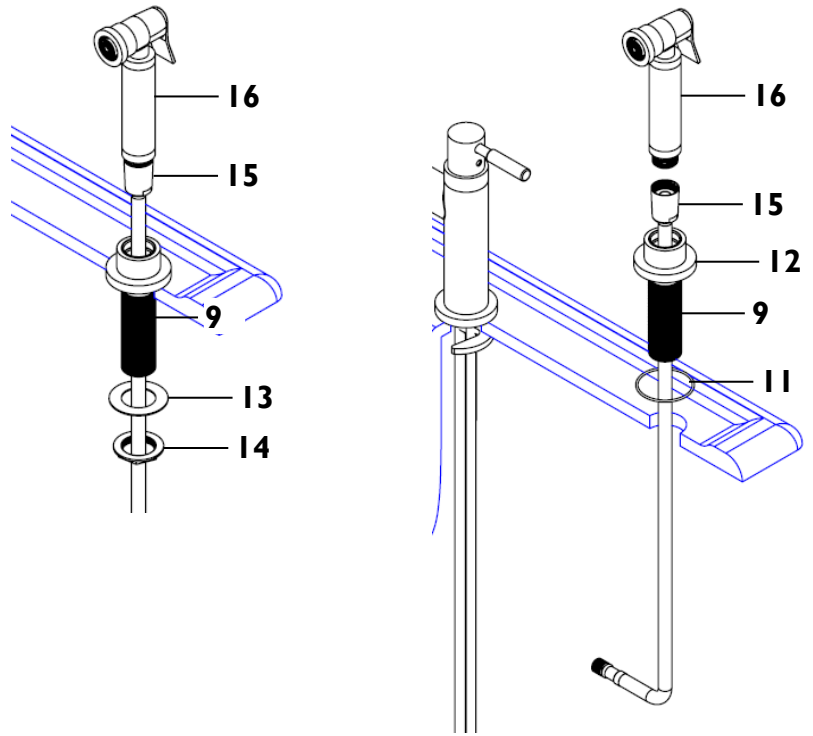
**With Sidespray**



### 3

## INSTALLING SIDESPRAY

- Place O-RING (11) onto ESCUTCHEON (12)
- Slide SHANK (9) through sink/deck hole
- From underside slide WASHER (13) and sidespray NUT (14) onto SHANK (9); securely tighten sidespray NUT (14)
- Attach sidespray HOSE (15) to SIDESPRAY (16)
- Slide sidespray HOSE (15) through ESCUTCHEON (12) and insert SIDESPRAY (16) into ESCUTCHEON (12)



### 4

## FINAL CONNECTIONS

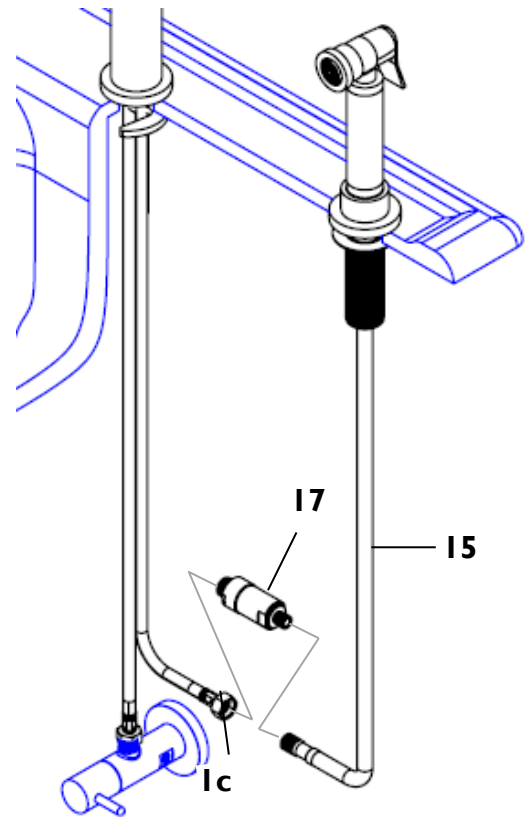
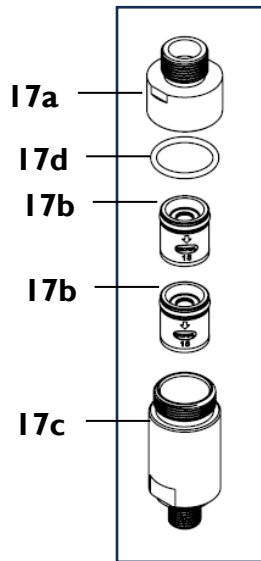
- Tighten CHECK ASSEMBLY (17) onto end of MIX HOSE (1c)
- Attach sidespray HOSE (15) onto end of CHECK ASSEMBLY (17)

### CHECK ASSEMBLY MAINTENANCE

- Disconnect CHECK ASSEMBLY (17) from sidespray HOSE (15) and MIX HOSE (1c)
- Unscrew UPPER HOUSING (17a), remove both CHECK VALVES (17b) by gently pushing through hole in LOWER HOUSING (17c)
- Rinse both CHECK VALVES (17b) with clean water
- Assemble CHECK VALVES (17b) into LOWER HOUSING (17c) using plumbers grease on orings as needed

**IMPORTANT:** Both CHECK VALVES (17b) must be orientated in LOWER HOUSING (17c) as shown.

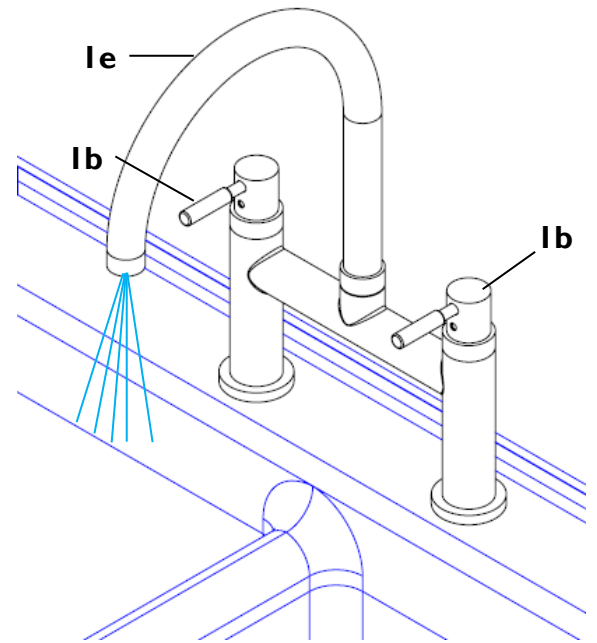
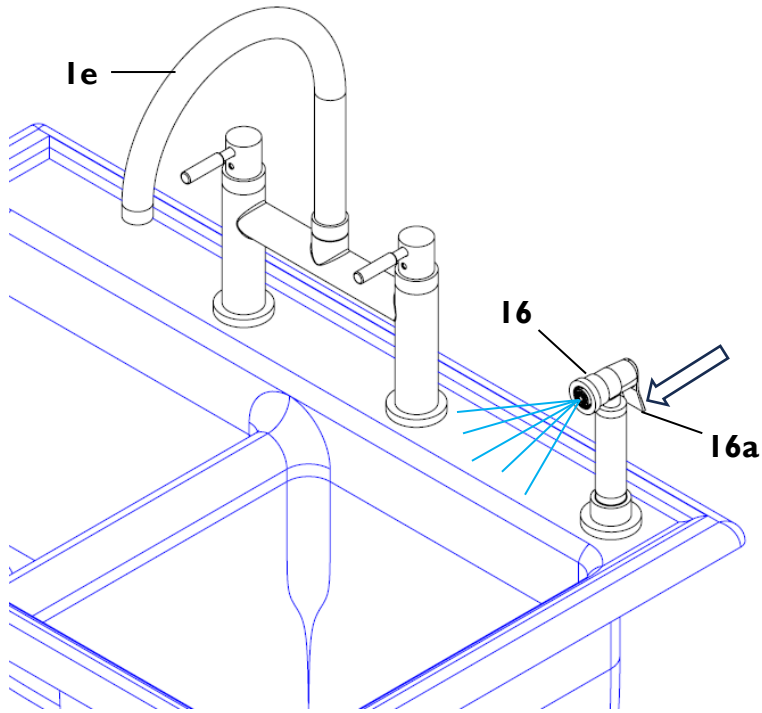
- Apply thin film of plumber's grease to HOUSING O-RING (17d) and tighten UPPER HOUSING (17a) onto LOWER HOUSING (17c)
- Attach CHECK ASSEMBLY (17) to MIX HOSE (1c) and sidespray HOSE (1)



## 5 OPERATION

- For SPOUT (1e) flow, rotate COLD (1b), HOT (1b), or both handles(s)
- For SIDESPRAY (16) flow, while SPOUT (1e) is flowing, press sidespray TRIGGER (16a)

**NOTE:** When SIDESPRAY (16) is in use, SPOUT (1e) flow should stop or have minimal flow.



## 6 MAINTENANCE

### SPOUT AERATOR

- Use large KEY (9) to remove AERATOR (1d)
- Rinse AERATOR (1d) with clean water to remove debris
- Replace parts in opposite order as described above

### SIDESPRAY INSERT

- Use sidespray KEY (18) to remove sidespray INSERT (16a)
- Rinse INSERT (16a) with clean water to remove debris
- Replace parts in opposite order as described above

