

Features

- All brass construction including sprayhead
- 360° rotating spout
- PDS™ "Positive Docking System" secures sprayhead
- Squeeze lever activates spray mode
- Spray jets have easy-to-clean surface
- Quiet polymer-braided hose with rotating joint
- Ceramic disc cartridge
- Max flow rate: 1.8 gpm (6.8 L/min)

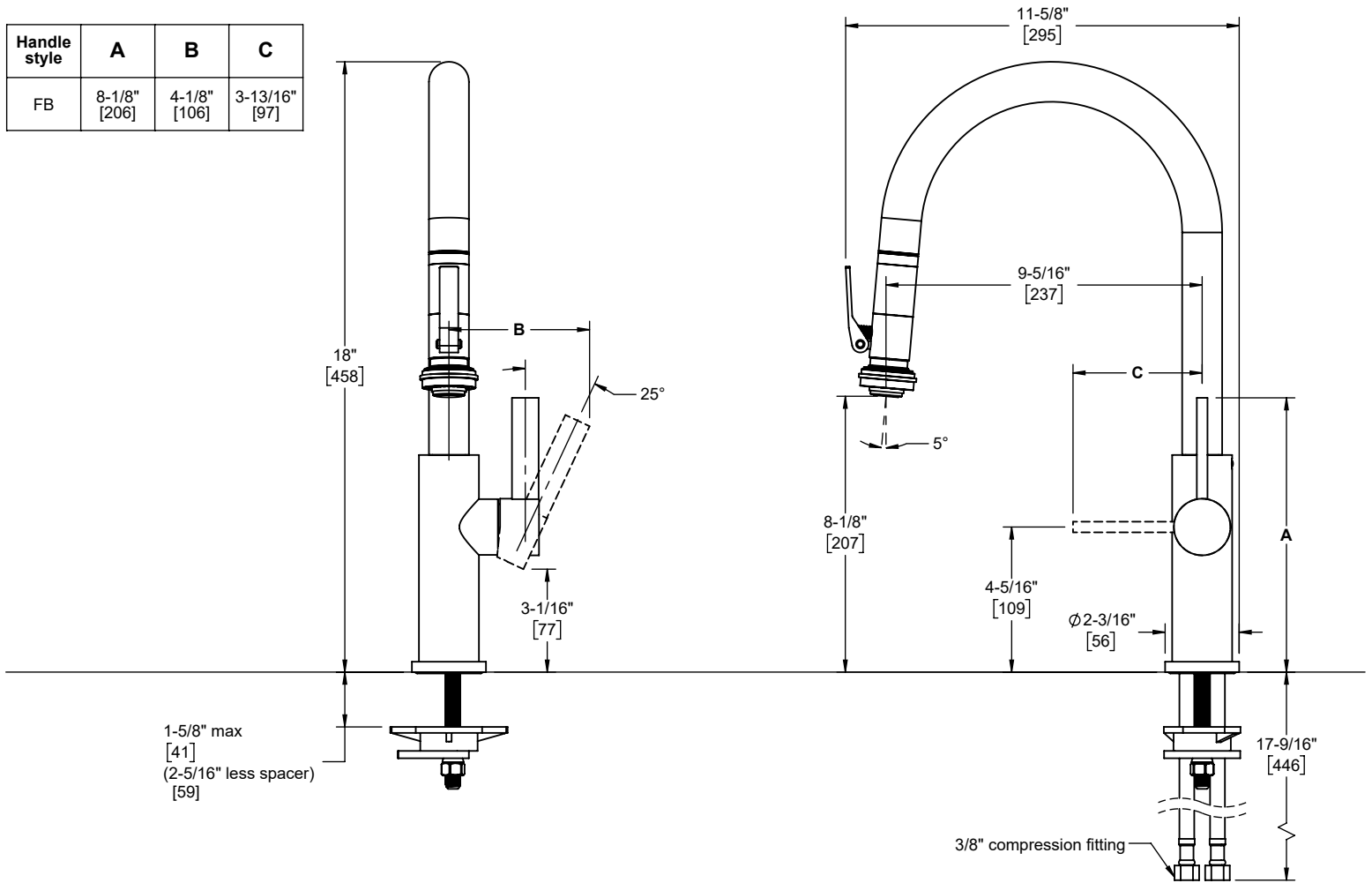
Codes/Standards Applicable

Product meets or exceeds the following:

- ASME A112.18.1/CSA B125.1
- NSF 61, NSF 372, CEC, & DOE
- Commonwealth of MA
- ADA compliant



Handle style	A	B	C
FB	8-1/8" [206]	4-1/8" [106]	3-13/16" [97]



Through-Hole Specifications		
Min	Recommended	Max
ϕ 1-1/4" [32]	ϕ 1-3/8" [35]	ϕ 1-3/8" [35]