

Deck Mount Tub Filler Installation Instructions

CALIFORNIA FAUCETS RECOMMENDS THAT ALL PLUMBING PRODUCTS BE INSTALLED BY A LICENSED PROFESSIONAL

IMPORTANT: Read all instructions prior to installation and provide copy of instructions to consumer.

Operating Specifications:

Recommended Supply Pressure: 20 to 70 psi**

Maximum Flow Rate: 15 gpm

* Operating pressures between hot and cold supplies should vary no more than 30 psi.

† If water pressure exceeds 70 psi, install a Pressure-Reducing Valve (RPV).

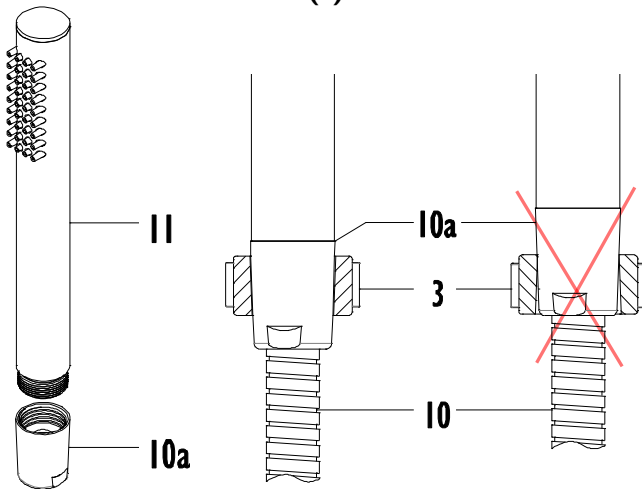
I PREPARING & ATTACHING LEGS

Important: It is the responsibility of the **INSTALLER** to discuss with **CONSUMER** as to which side the **HANDSHOWER (21)** shall be placed on the Floor Mounted Tub Filler before proceeding.

- LEG (1) *without handshower* place SPACER (4) at top of LEG (1)
- LEG (1) *with handshower* place friction WASHER (2), then HOOK (3) and second friction WASHER (2) on top of LEG (1) (HOOK shall have one friction WASHER on top and bottom)

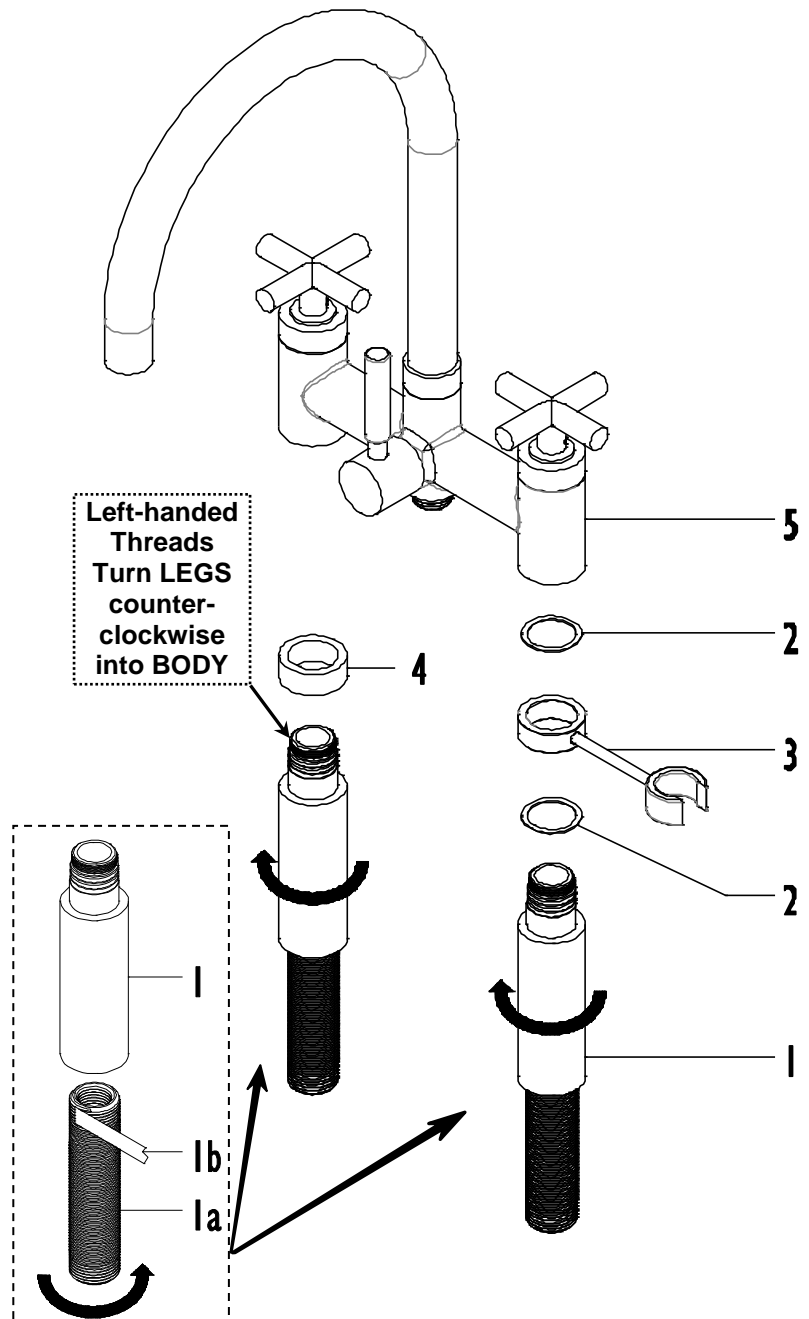
Important: Proper orientation of the HOOK (3) is necessary to properly allow HANDSHOWER (11) to fit into HOOK (3) before proceeding.

- Attach CONICAL (10a) nut of HOSE (10) to HANDSHOWER (11) to confirm proper orientation of the HOOK (3) as shown below



Important: The LEGS (1) have **left-handed threads**, therefore, it is necessary to rotate LEGS (1) **counter-clockwise** into BODY (5)

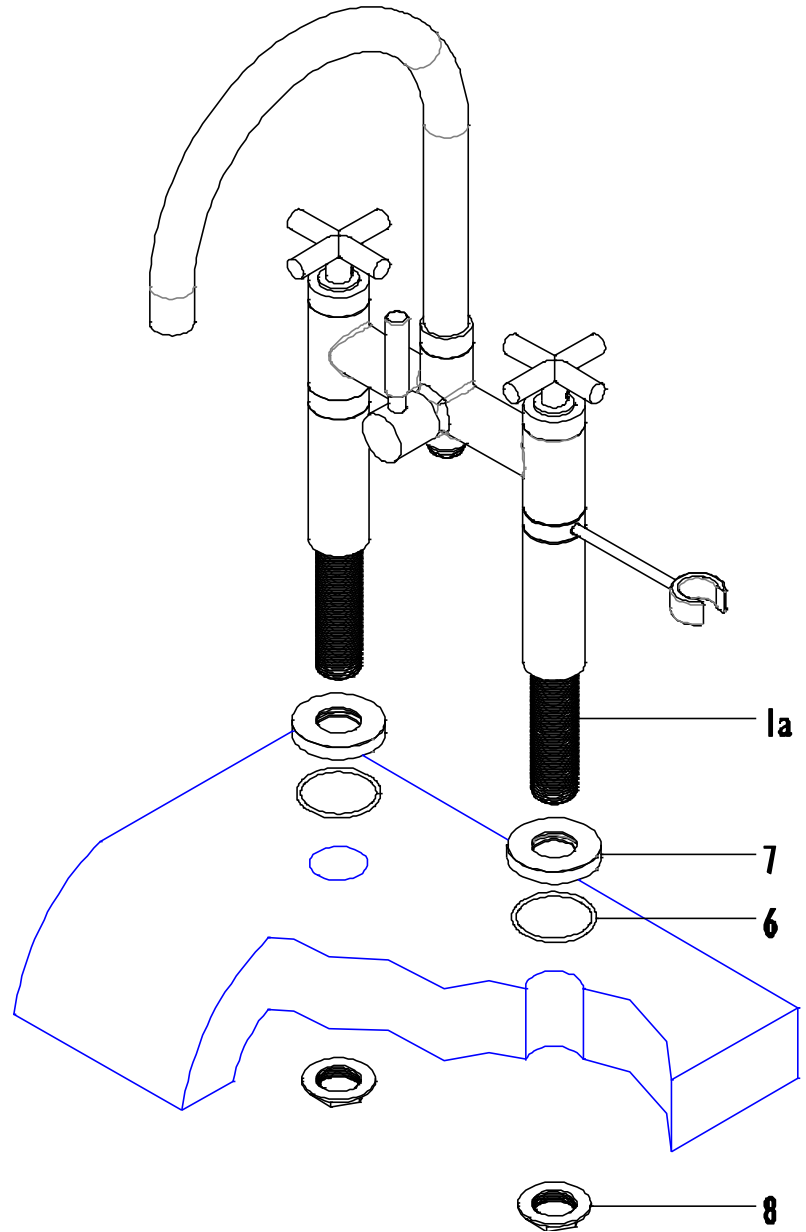
- Using thread SEALER (1b) securely tighten SHANK (1a) into LEG (1); repeat on other side
- Ensure that there is sufficient grease on both upper O-rings on LEG (1) and securely tighten into BODY (5); repeat same procedure on other side



2

SECURING LEGS TO DECK

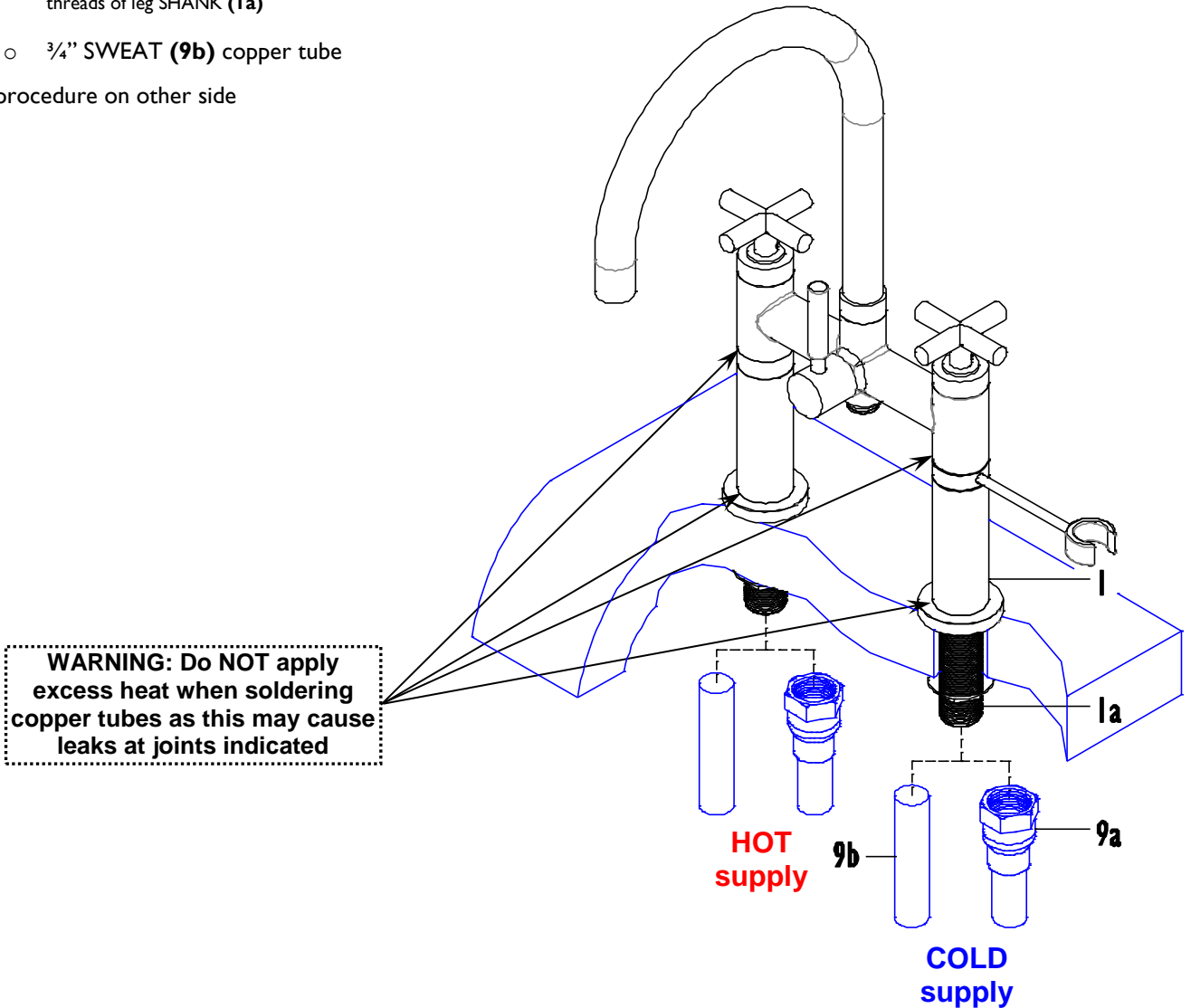
- Place O-RING (6) into bottom side FLANGE (7)
- Slide leg SHANK (1a) through FLANGE (7) and deck surface
- Securely tighten NUT (8) onto leg SHANK (1a)
- Repeat same procedure on other side



CONNECTING WATER SUPPLY

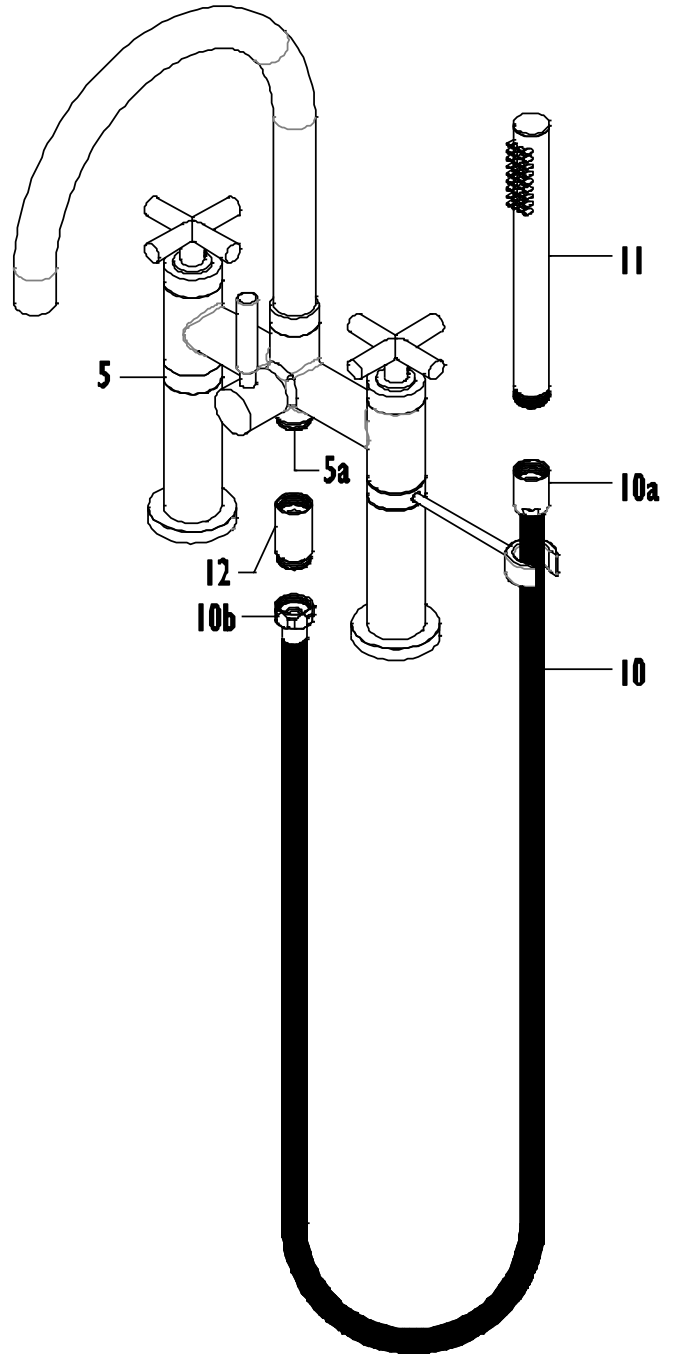
Warning: When soldering or use of FLAME on leg SHANK (1a), it is the responsibility of the installer to take proper steps to prevent over heating of the leg SHANK (1a) to prevent damage to sealed joint between LEG (1) and leg SHANK (1a). All soldering shall be a minimum of 4" away from joint

- Use one of the following methods to supply water to leg SHANKS (1a):
 - $\frac{3}{4}$ " Female ADAPTER (9a)
Requires use of Thread Sealant on male threads of leg SHANK (1a)
 - $\frac{3}{4}$ " SWEAT (9b) copper tube
- Repeat same procedure on other side



4 FINAL CONNECTIONS

- Attach inlet of CHECK VALVE (12) to lower OUTLET (5a) of BODY (5)
- Attach HEX (10b) nut of HOSE (10) to lower outlet of CHECK VALVE (12)
- Operate faucet; divert from tub spout to handshower and check for leaks





Features

- Available in 28 finishes including 13 PVD Finishes
- All brass construction
- Tub filler: Maximum flow rate: 15 gpm (60.6 L/min) at 60 psi
- Handshower: Flow rate: 2.0 gpm (7.6 L/min) or 1.8 gpm (6.8 L/min)
- Rotatable handshower bracket may be placed on COLD or HOT side of body
- 1/4 turn ceramic disc cartridges
- Rough kit (9516) sold separately

Codes/Standards Applicable

Product meets or exceeds the following:

- ASME A112.18.1/CSA B125.1
- CEC (1.8 gpm) / DOE (2.0 & 1.8 gpm)
- Commonwealth of MA
- EPA WaterSense handshower (2.0 gpm)
- EPA WaterSense (2.0 gpm)
- ADA compliant (with lever handles)



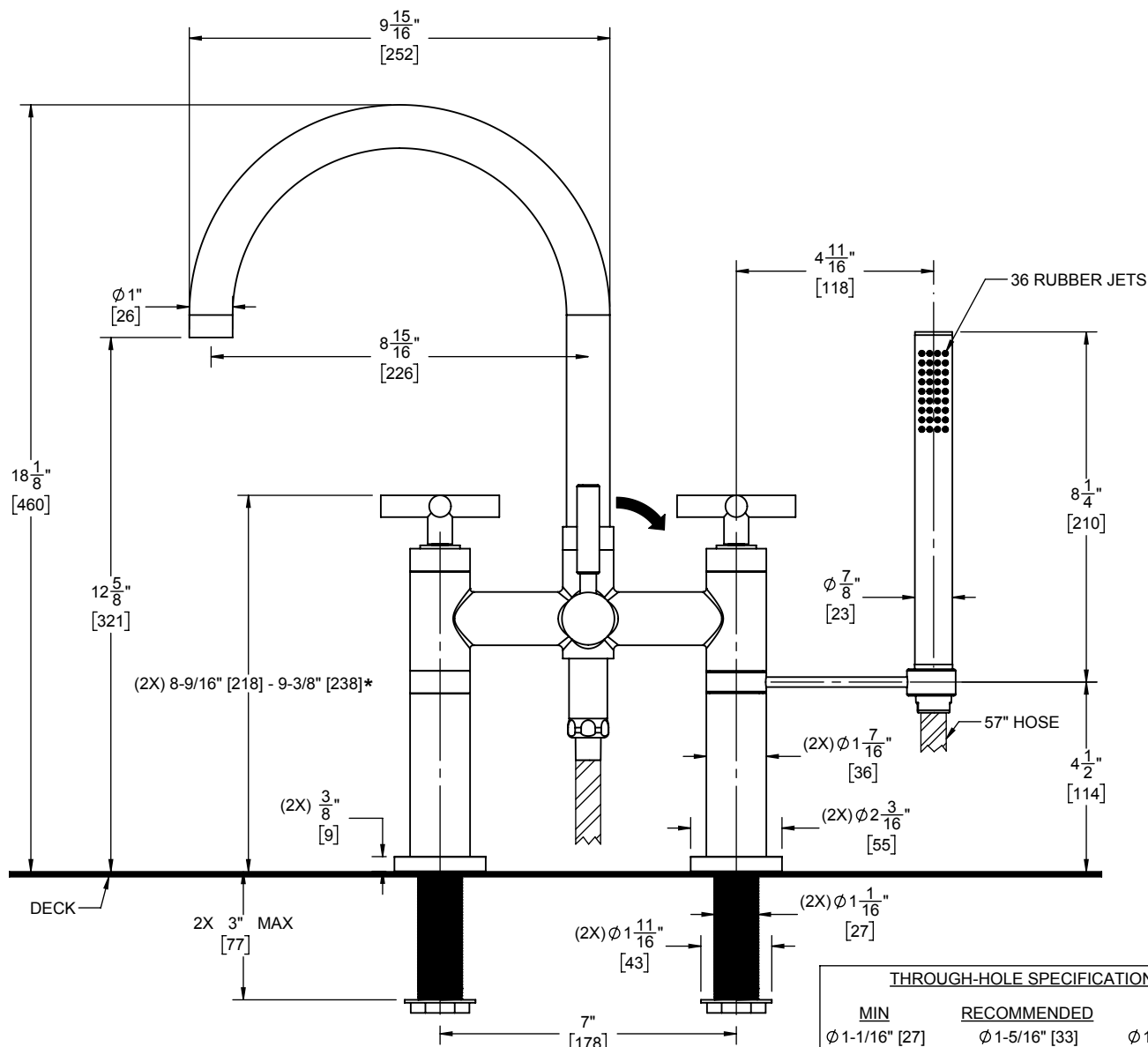
1108-74.FR shown

1108-XX.20
1108-XX.18



XX = DENOTES HANDLE SERIES

* = DIMENSION VARIES BASED ON HANDLE SERIES



* HEIGHT VARIES BASED ON HANDLE SERIES
SPECIFICATIONS SUBJECT TO CHANGE WITHOUT NOTICE