

# Wall Mount Tub Filler Installation Instructions

**CALIFORNIA FAUCETS RECOMMENDS THAT ALL PLUMBING PRODUCTS BE INSTALLED BY A LICENSED PROFESSIONAL**

**IMPORTANT: Read all instructions prior to installation and provide copy of instructions to consumer.**

**Operating Specifications:**

Recommended Supply Pressure: 20 to 70 psi\*\*†

Maximum Flow Rate: 15 gpm

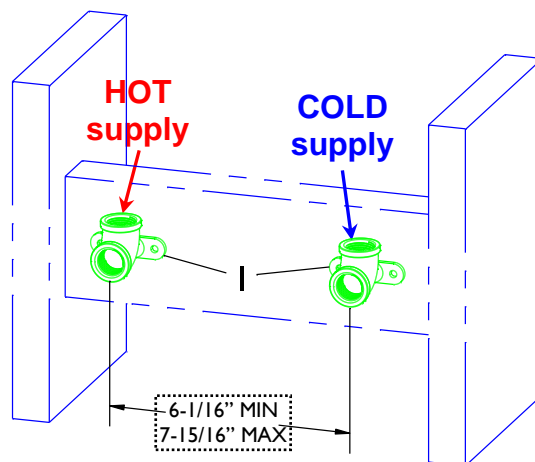
\* Operating pressures between hot and cold supplies should vary no more than 30 psi.

† If water pressure exceeds 70 psi, install a Pressure-Reducing Valve (RPV).

## 1 PREPARING FITTING IN WALL

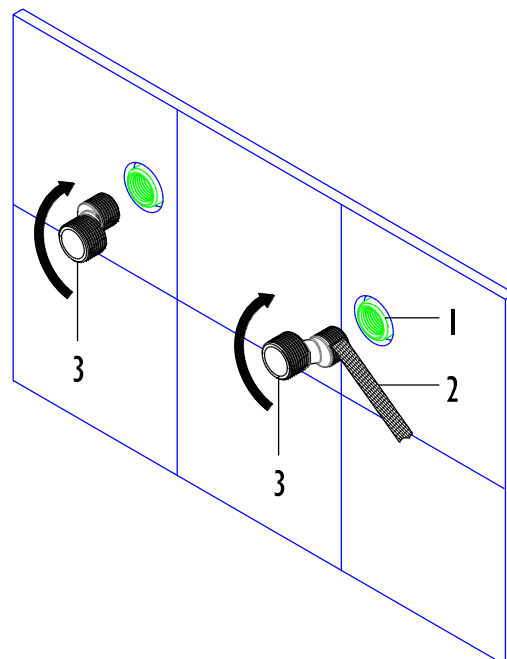
**Important:** It is the responsibility of the **INSTALLER** to securely install supply ELL (1) and piping to provide proper support of this faucet.

- Securely mount the supply ELL (1) and plumbing to studs in wall to provide proper support of wall tub faucet
- Supply ELL (1) shall be 6-1/16" to 7-15/16" apart



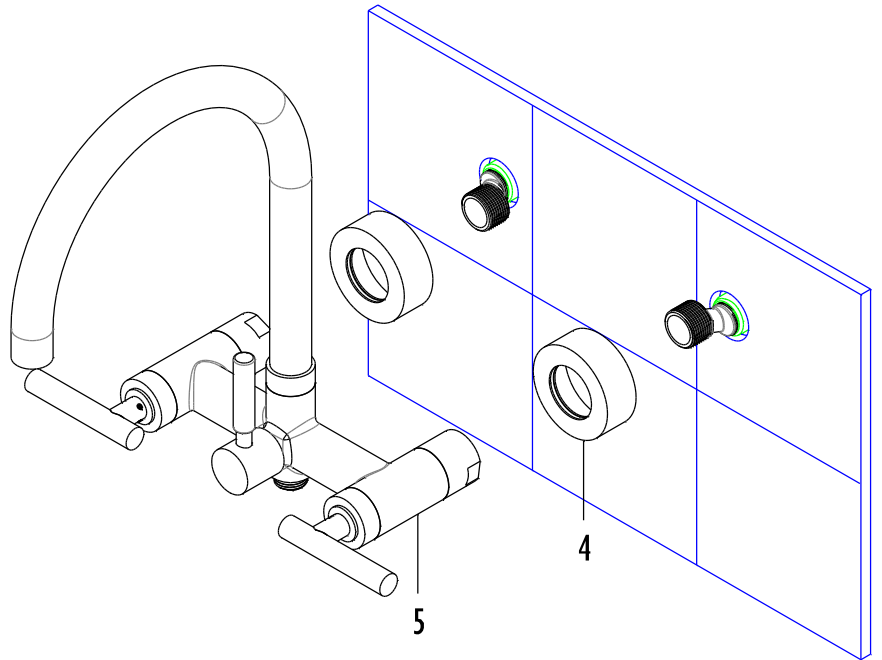
## 2 INSTALLING ECCENTRICS

- Apply 3-5 wraps of Teflon TAPE (2) to inlet ECCENTRIC (3)
- Tighten ECCENTRIC (3) into supply ELL (1)
- Repeat same procedure on other side



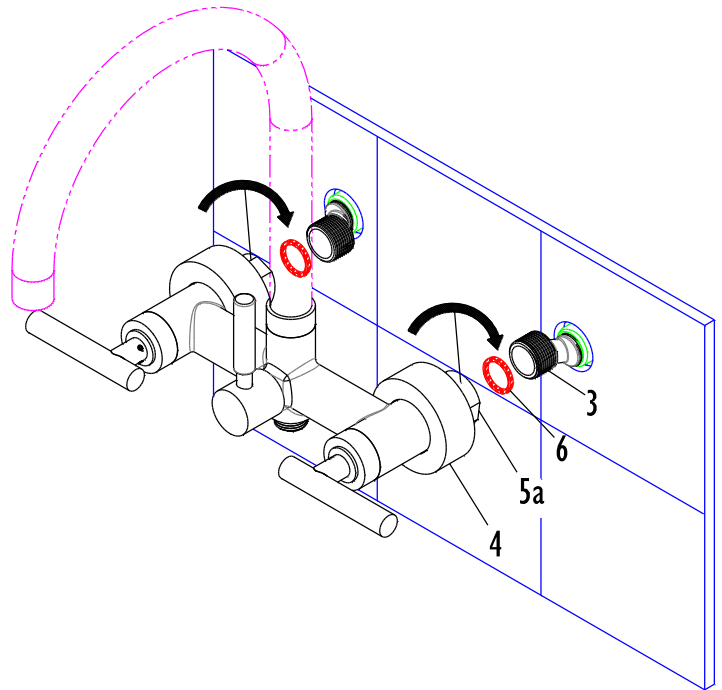
### 3 INSTALLING ESCUTCHEONS

- Slide ESCUTCHEON (4) onto back of BODY (5)
- Repeat same procedure on other side



### 4 SECURING FAUCET TO WALL

- Place WASHER (6) into NUT (5a)
- Tighten NUT (5a) onto ECCENTRIC (3)
- Slide ESCUTCHEON (4) against wall
- Repeat same procedure on other side



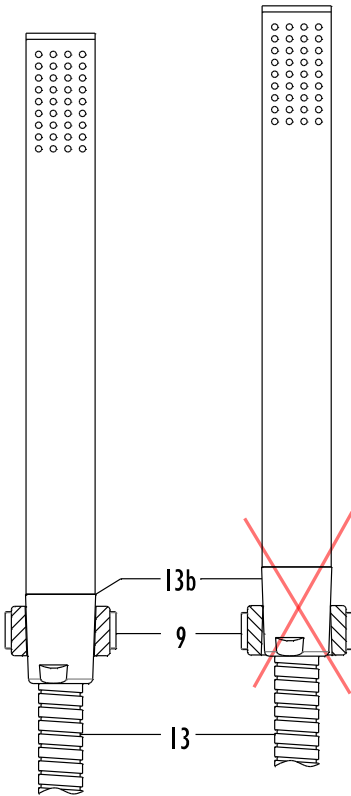
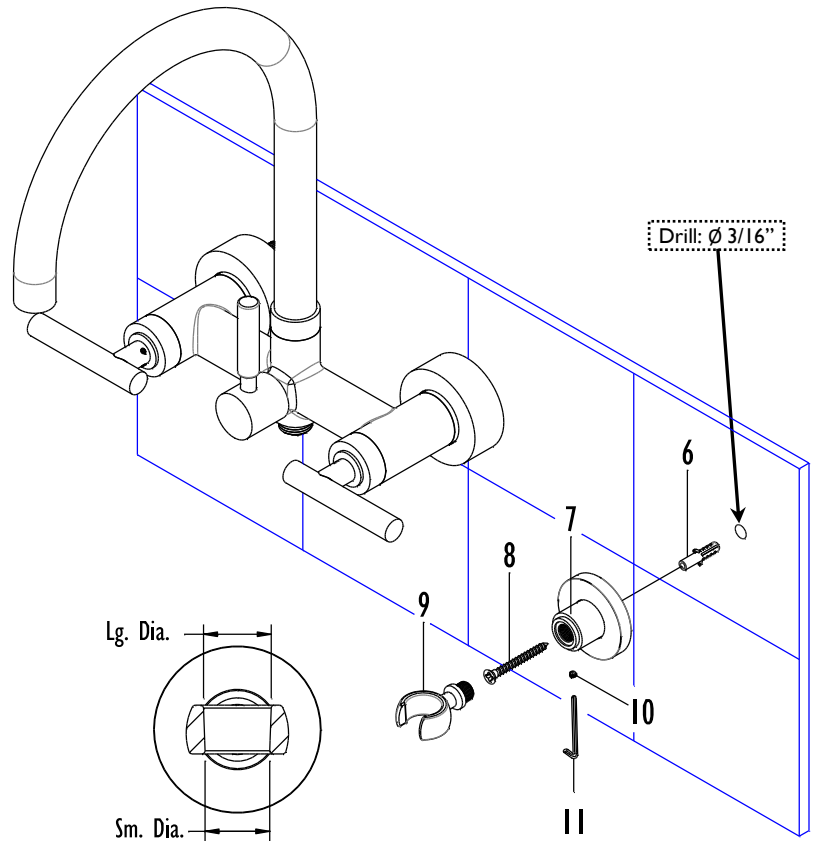
## 5 ATTACHING HANDSHOWER HOLDER

**Important:** It is the responsibility of the **INSTALLER** to discuss with **CONSUMER** as to which side the **HANDSHOWER (14)** shall be placed on the wall before proceeding.

- Drill  $\varnothing 3/16''$  hole on wall for handshower holder
- Install **ANCHOR (6)** into hole
- Secure holder **BASE (7)** onto wall with **SCREW (8)**
- Tighten **HOOK (9)** into **BASE (7)**

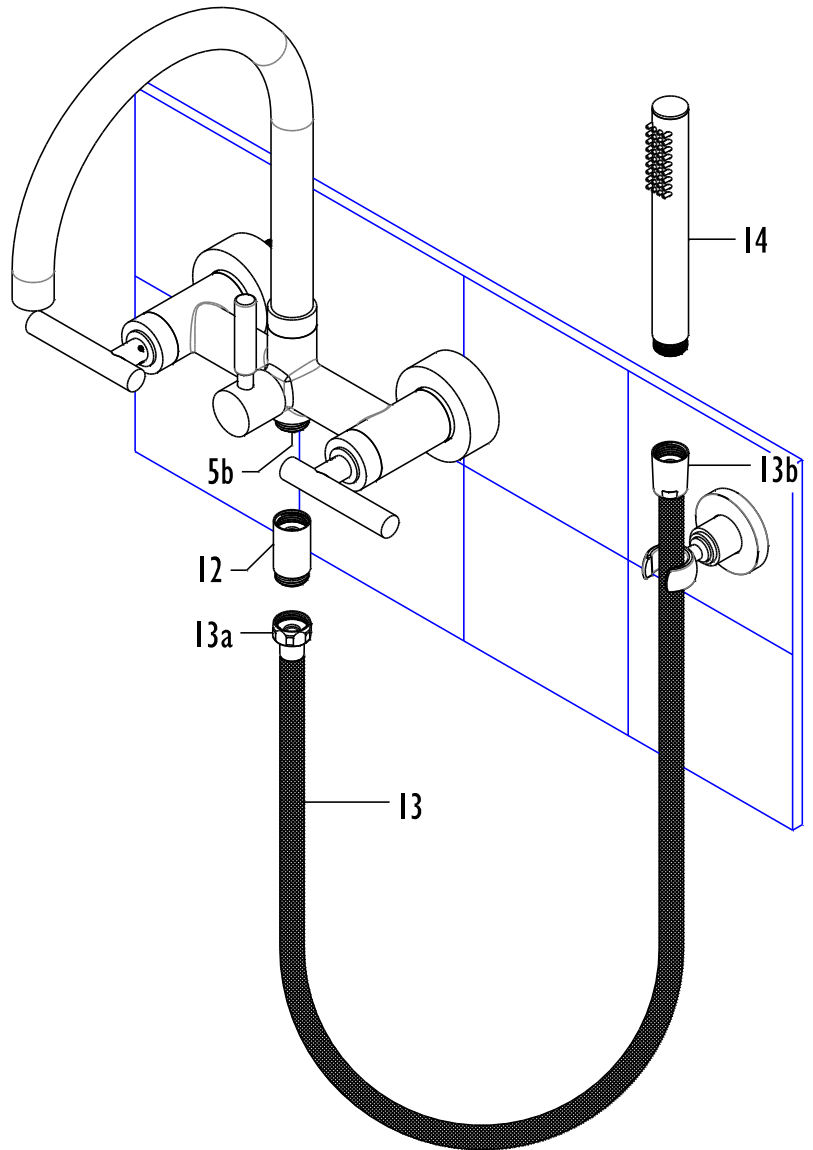
**Important:** The hook must be rotated to have the larger diameter at the top for proper joining of handshower.

- Secure **HOOK (9)** in place by tightening **SETSCREW (10)** with **KEY (11)**
- Attach **CONICAL (13b)** nut of **HOSE (13)** to **HANDSHOWER (14)** to confirm proper orientation of the **HOOK (9)** as shown below



## 6 FINAL CONNECTIONS

- Attach inlet of CHECK VALVE (12) to lower OUTLET (5b) of BODY (5)
- Attach HEX (13a) nut of HOSE (13) to lower outlet of CHECK VALVE (12)
- Attach HANDSHOWER (14) to CONICAL (13b) and place in holder
- Operate faucet divert from tub spout to handshower and check for leaks





California Faucets®

# ASILOMAR®

## CONTEMPORARY WALL MOUNT TUB FILLER WITH HANDSHOWER

### Features

- Available in 28 finishes including 13 PVD finishes
- All brass construction
- Tub filler maximum flow rate: 15 gpm (58.6 L/min) at 60 psi
- Handshower flow rate: 2.0 gpm (7.6 L/min) or 1.8 gpm (6.8 L/min)
- 1/4 turn ceramic disc cartridges

### Codes/Standards Applicable

Product meets or exceeds the following:

- ASME A112.18.1/CSA B125.1
- CEC (1.8 gpm) / DOE (2.0 & 1.8 gpm)
- Commonwealth of MA
- EPA WaterSense handshower (2.0 gpm)
- ADA compliant (with lever handles)
- Local codes may require installation of an upstream tempering valve

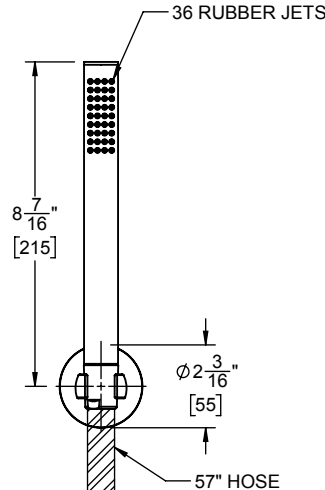
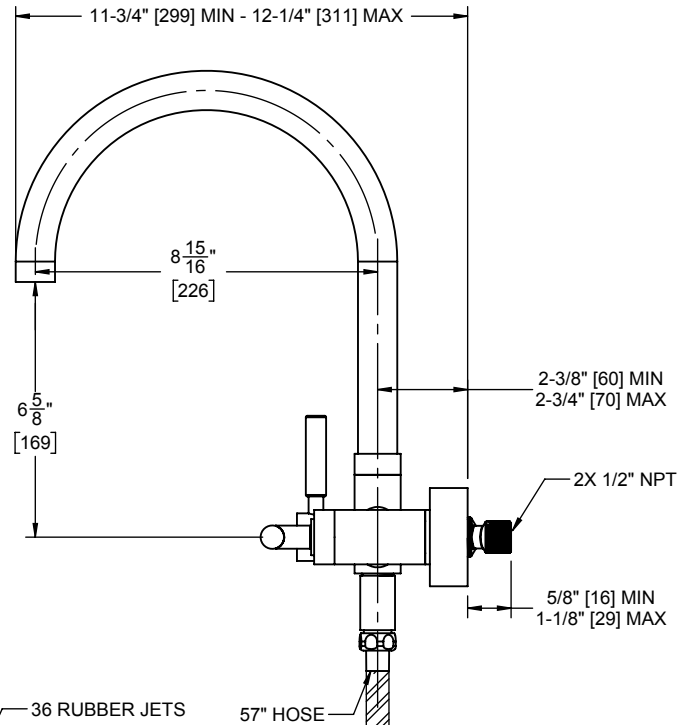
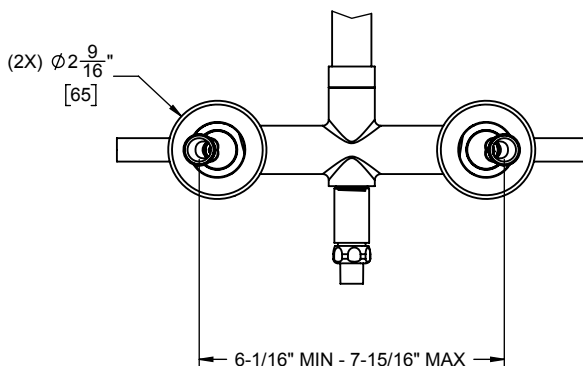
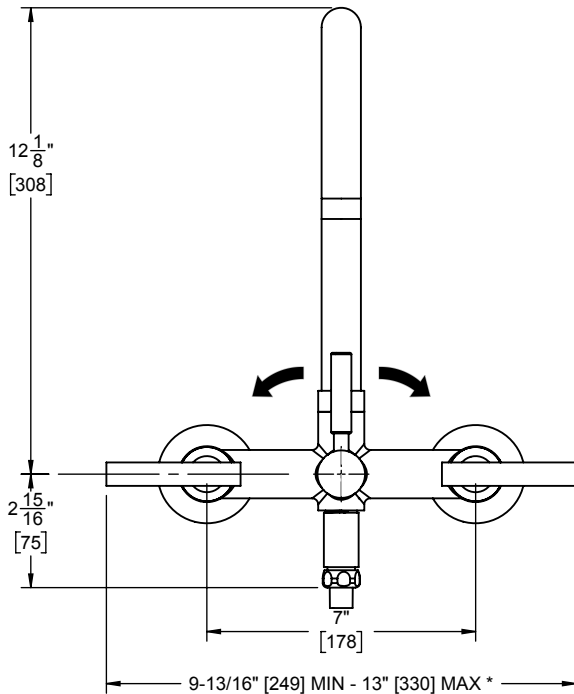


1106-65 SHOWN

# 1106-XX.20 1106-XX.18



XX = DENOTES HANDLE SERIES



### THROUGH-HOLE SPECIFICATIONS

MIN	RECOMMENDED	MAX
Ø 1-1/4" [32]	Ø 1-3/4" [45]	Ø 2" [51]



(1x) PLASTIC #8-10 FINNED ANCHOR

(1x) #10 x 2 STAINLESS STEEL SCREW

ALL DIMENSIONS SHOWN TO NEAREST 1/16"

\* = DIMENSIONS VARIES BASED ON HANDLE SERIES  
SPECIFICATION SUBJECT TO CHANGE WITHOUT NOTICE