



### Features

- Solid brass construction trim
- Includes air gap rough

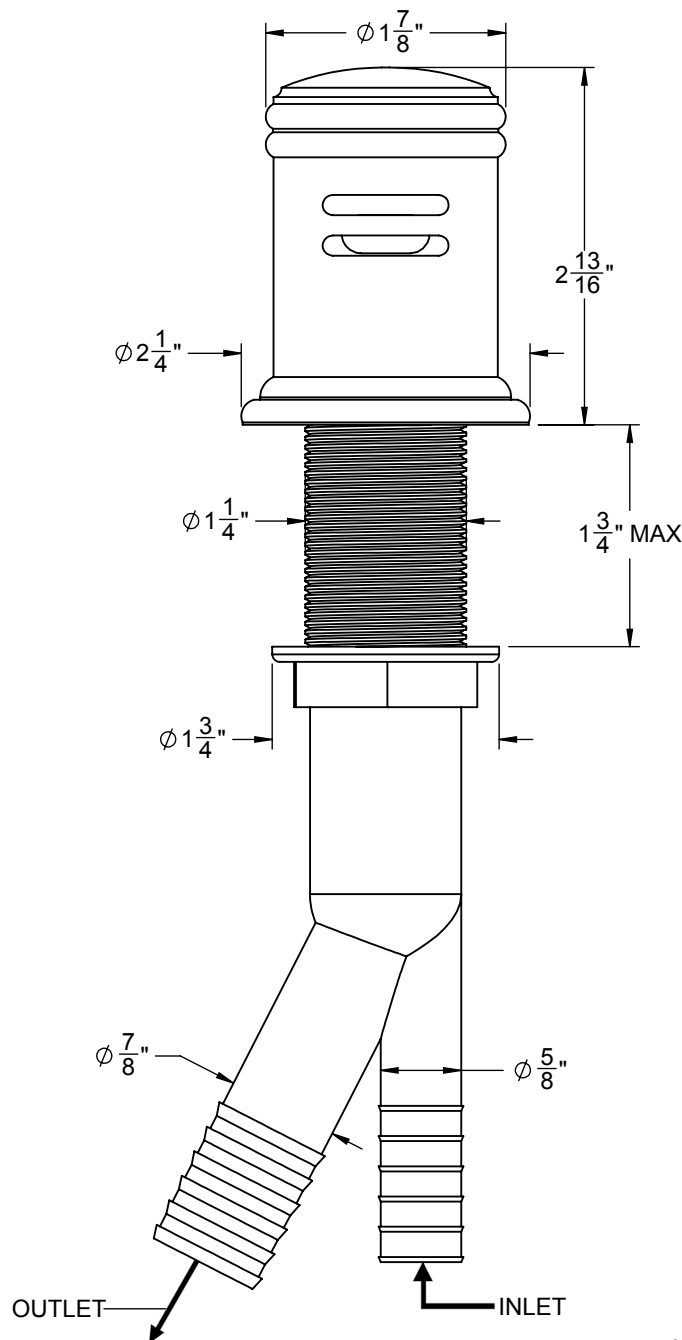
### DAVOLI AIR GAP FOR DISHWASHER



### Codes/Standards Applicable

Meets or exceeds the following at date of manufacture:

- IAPMO PS 023-2006a



THROUGH-HOLE SPECIFICATIONS		
MIN	RECOMENDED	MAX
$\phi 1\text{-}1/4"$	$\phi 1\text{-}3/8"$	$\phi 1\text{-}9/16"$

ALL DIMENSIONS SHOWN TO NEAREST 1/16"