

**Features**

- Available in 28 finishes including 13 PVD finishes
- All brass construction
- 1/4" compression inlet
- Max flow rate: 1.8 gpm (6.8 L/min)
- Ceramic disc cartridge
- **Not** compatible with RO filter units

**Codes/Standards Applicable**

Product meets or exceeds the following:

- ASME A112.18.1/CSA B125.1
- NSF 61, NSF 372, CEC, & DOE
- Commonwealth of MA
- ADA compliant

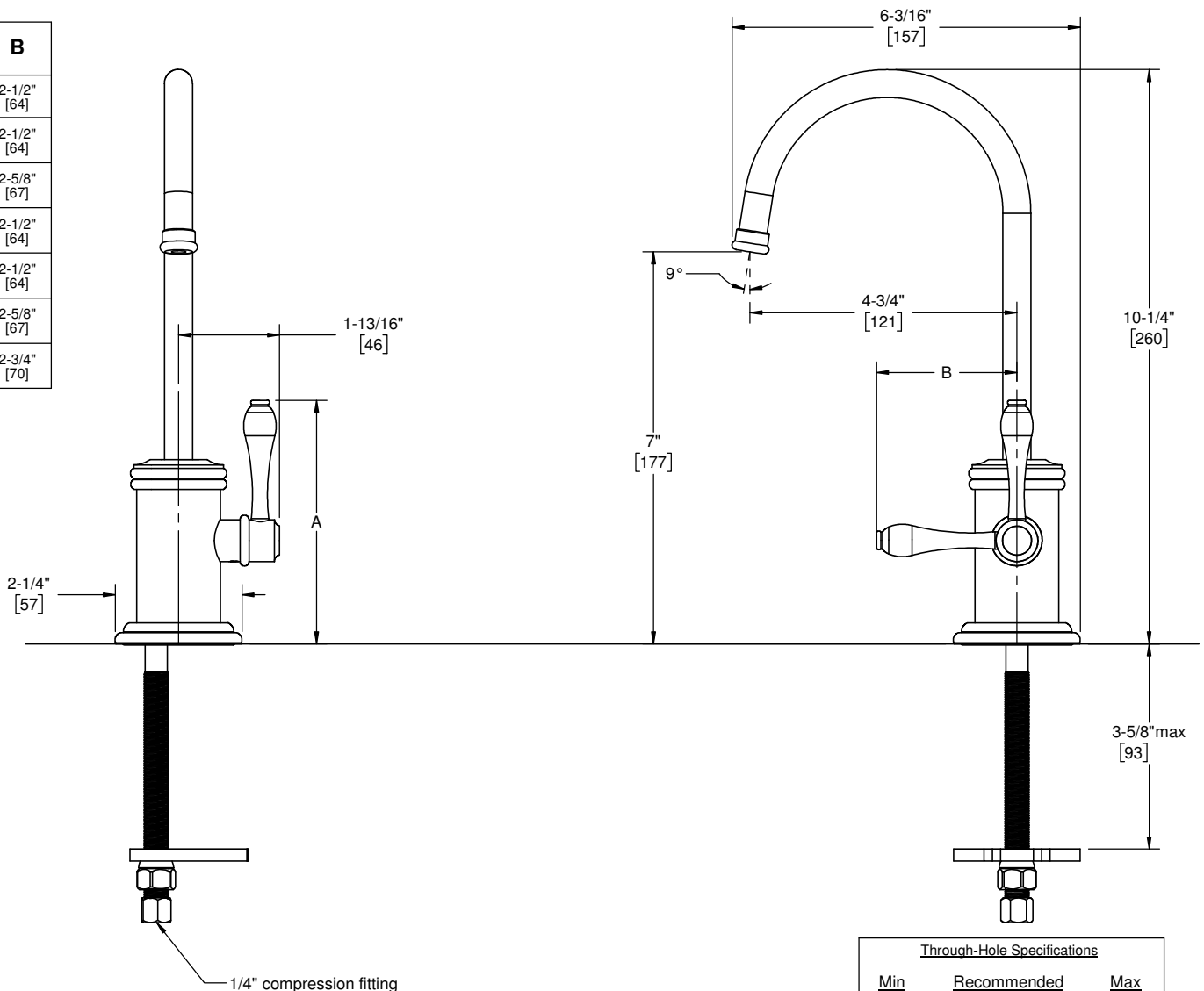


9620-K10-42 shown



XX = Series handle

Handle Style	A	B
33	4-3/8" [111]	2-1/2" [64]
35	4-3/8" [111]	2-1/2" [64]
40	4-7/16" [113]	2-5/8" [67]
42	4-5/16" [110]	2-1/2" [64]
48	4-3/8" [111]	2-1/2" [64]
55	4-7/16" [113]	2-5/8" [67]
64	4-5/8" [117]	2-3/4" [70]



Through-Hole Specifications		
Min	Recommended	Max
Ø 1/2" [13]	Ø 1" [25]	Ø 1-1/2" [38]

Specifications subject to change without notice

Dimensions are inches, rounded to 1/16"  
[Dimensions in brackets are mm, rounded to 1mm]

# CF-9620-K10, CF-9620-K30, CF-9620-K50, CF-9620-K51 & CF-9620-K80 Kitchen Cold Water Dispenser Installation Instructions

**CALIFORNIA FAUCETS RECOMMENDS THAT ALL PLUMBING PRODUCTS BE INSTALLED BY A LICENSED PROFESSIONAL**

**IMPORTANT: Read all instructions prior to installation and provide copy of instructions to consumer.**

**Operating Specifications:**

Recommended Supply Pressure: 20 to 70 psi†

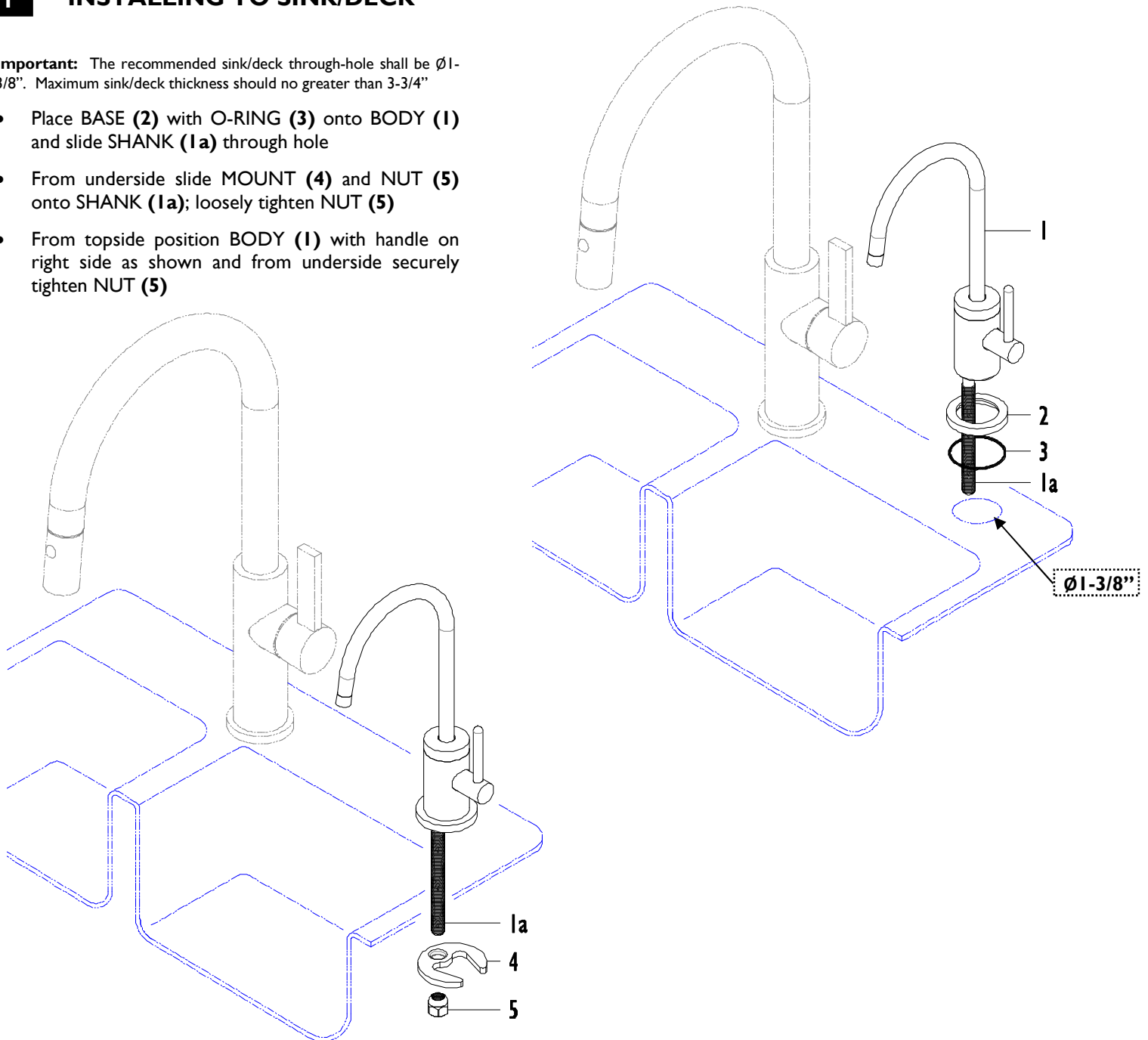
† If water pressure exceeds 70 psi, install a Pressure-Reducing Valve (PRV).

**I**

## INSTALLING TO SINK/DECK

**Important:** The recommended sink/deck through-hole shall be  $\varnothing 1\text{-}3/8"$ . Maximum sink/deck thickness should no greater than 3-3/4"

- Place **BASE (2)** with **O-RING (3)** onto **BODY (1)** and slide **SHANK (1a)** through hole
- From underside slide **MOUNT (4)** and **NUT (5)** onto **SHANK (1a)**; loosely tighten **NUT (5)**
- From topside position **BODY (1)** with handle on right side as shown and from underside securely tighten **NUT (5)**



# 2

## WATER CONNECTIONS

- Place 1/4" compression NUT (7) and SLEEVE (6) onto filter supply LINE (8)
- Securely tighten 1/4" compression NUT (7) onto SHANK (1a)
- Turn water supply on at filter unit and rotate HANDLE (9) forward to rinse water through FAUCET (1)
- Check for leaks and adjust as necessary

