

# RAK DES 610 CONSOLE

Cat. No  
601WH-MB



Faucet not included

W: 24"  
D: 20"  
H: 34-3/4"

## Leg Dimensions

Length: 23-1/4"  
Height: 32"  
Depth: 20"

## Interior Dimensions:

Basin Interior:	12" x 14"
Basin Depth:	3-5/8"
Water depth to overflow:	2-1/4"
Back of basin to center of faucet:	2-1/8"
Back of basin to center of drain:	8-1/2"
Mount bolts height:	32-7/8"
Mount holes cc:	11-1/4"
Faucet and spout holes:	1-1/4"
Stand bolt height:	29-1/2" x 20-3/4"

## Features:

- ▶ Fine fire clay for durability
- ▶ Transitional style
- ▶ Rectangular basin
- ▶ Pre-drilled with one faucet hole
- ▶ Available pre-drilled for 1-hole faucet (**601WH-MB**), 4" centerset (**604WH-MB**), or 8" (**608WH-MB**)
- ▶ Mounting Hardware Included
- ▶ Pre-drilled overflow hole
- ▶ RAK logo

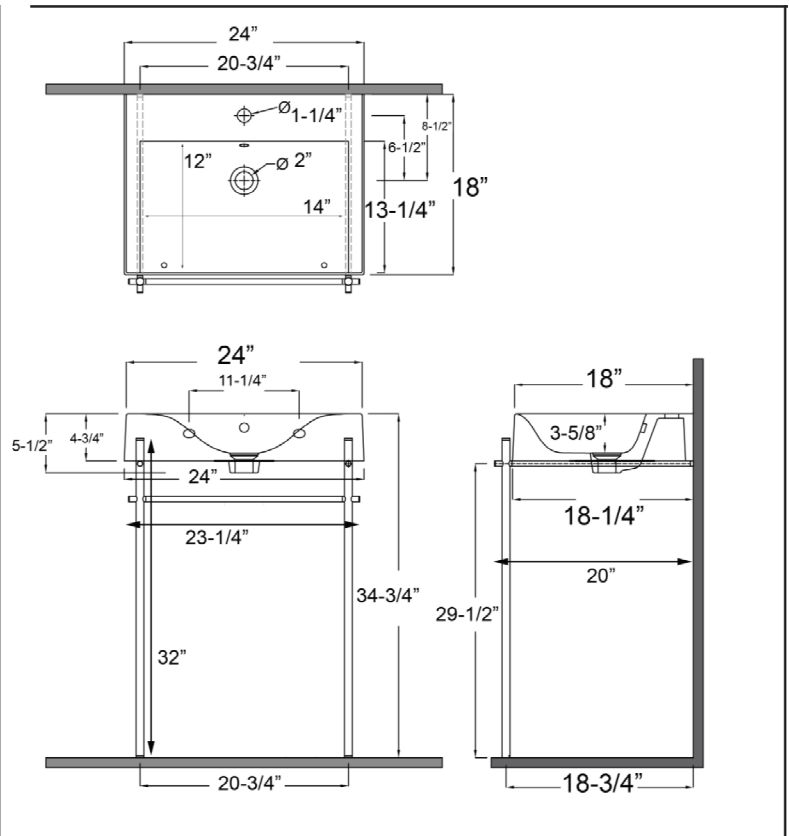
## Colors:

WH White



## Compliance Certification

Meets or exceeds the following specifications: ASME A112.19.1 2018 AND CSA B45.1-18 for Fire Clay fixtures.

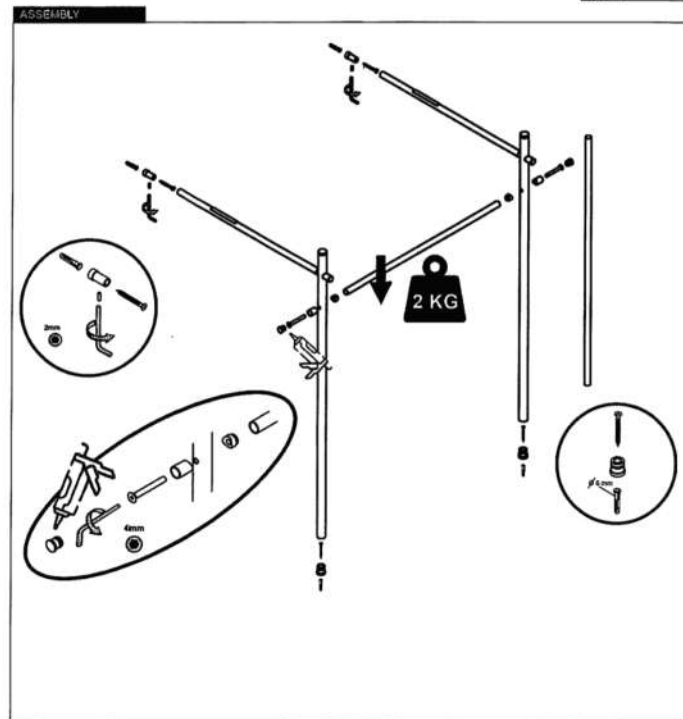


Dimensions of fixture are nominal and may vary within the range of tolerances established by ASME Standard A112.19.2.2018. Dimensions and specifications subject to change without notice.

## INSTALLATION INSTRUCTIONS

### Tools Needed

- Screwdriver • Drill & Bits • 1 large Allen Key • 1 small Allen Key • 4 wood screws • 4 anchors •
  - 2 connecting screws • 2 set screws •
- Tape Measure • Level • One Tube White or Clear Silicone • Wrench • Pencil •



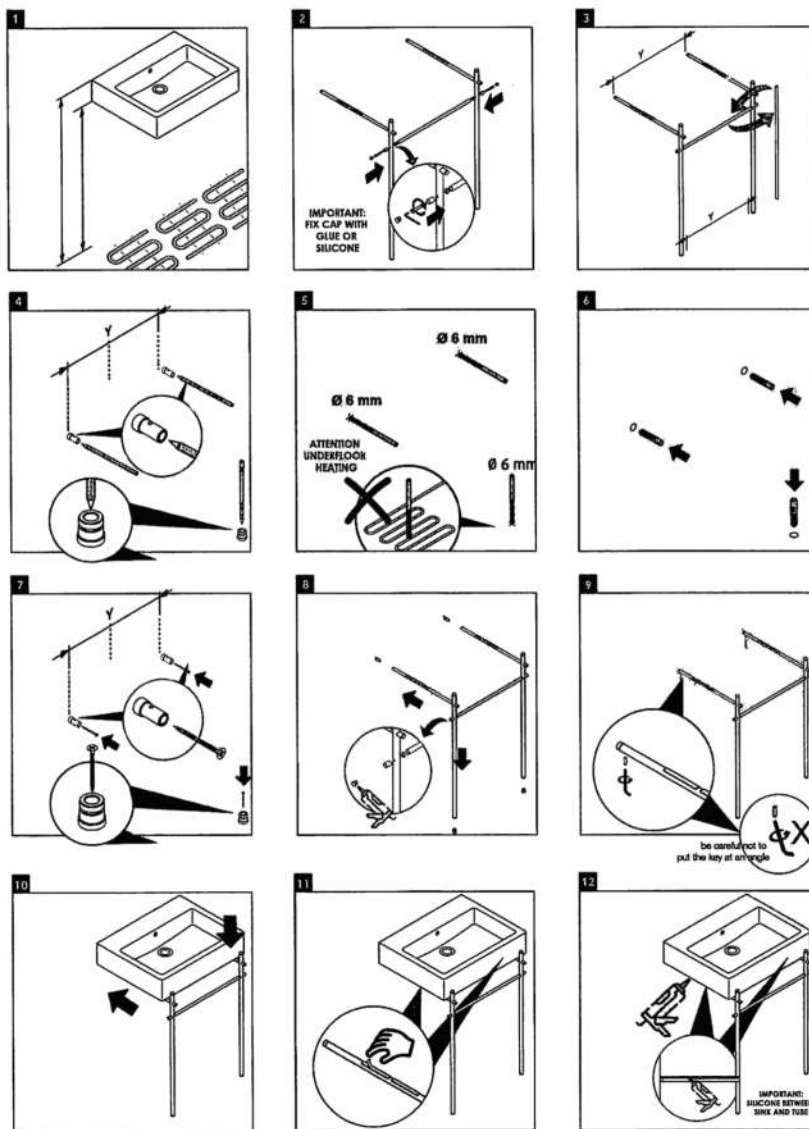
### NOTE:

**DO NOT tighten too much or you may damage console.**

**INSTALLATION INSTRUCTIONS**

**Tools Needed**

- Screwdriver • Drill & Bits • 1 large Allen Key • 1 small Allen Key • 4 wood screws • 4 anchors •  
 • 2 connecting screws • 2 set screws •
- Tape Measure • Level • One Tube White or Clear Silicone • Wrench • Pencil •



**NOTE:**

**DO NOT tighten too much or you may damage console.**