



California Faucets®

Descanso®

WALL LAVATORY

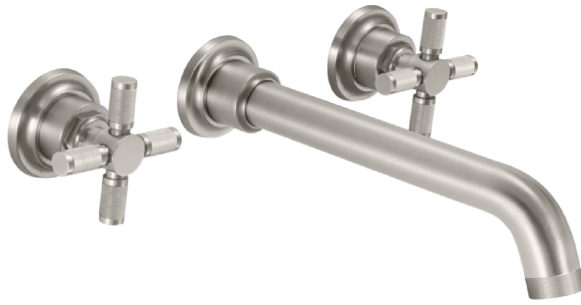
Features

- Over 28 finishes including 13 PVD finishes
- All brass construction
- 1.2 gpm (4.5 L/min) max flow rate
- Rough valve (CF-VL-R) sold separately

Codes/Standards

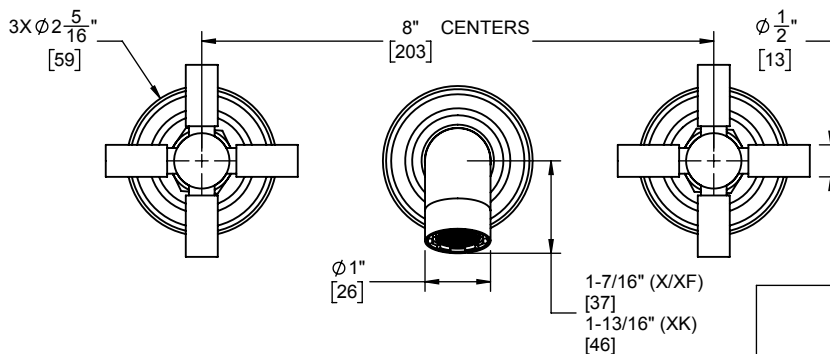
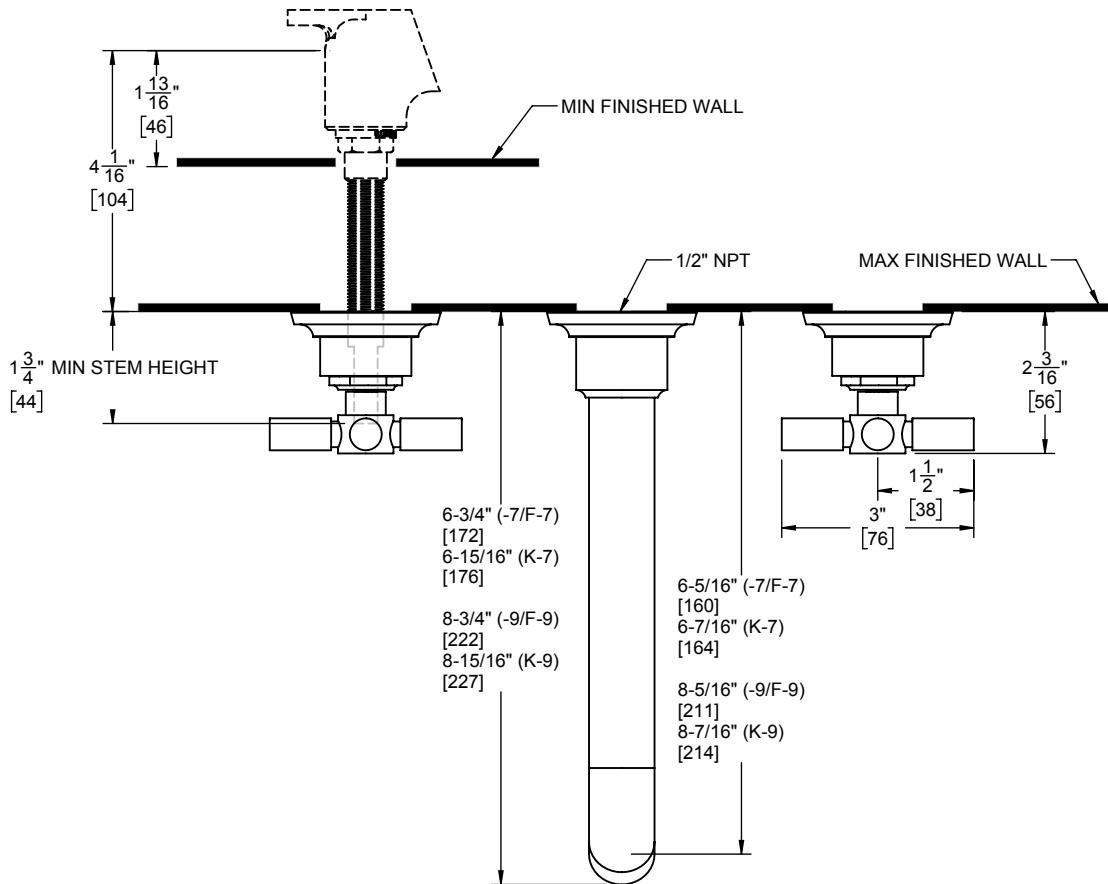
Product meets or exceeds the following:

- ASME A112.18.1/CSA B125.1
- NSF/ANSI 61 & NSF/ANSI 372
- CEC & DOE
- Commonwealth of MA
- EPA WaterSense High Efficiency Lavatory



TO-V3002XK-9

TO-V3002X-7/9
 TO-V3002XK-7/9
 TO-V3002XF-7/9



| THROUGH-HOLE SPECIFICATIONS | | |
|-----------------------------|---------------|-----------------|
| MIN | RECOMMENDED | MAX |
| SPOUT: Ø 1" [25] | Ø 1-1/4" [32] | Ø 1-15/16" [49] |
| VALVE: Ø 1-1/4" [32] | Ø 1-1/4" [32] | Ø 1-15/16" [49] |

SPECIFICATIONS SUBJECT TO CHANGE WITHOUT NOTICE



714.891.7797 Phone
714.891.2478 Fax
800.822.8855 Toll Free
californiafaucets.com

California Faucets®

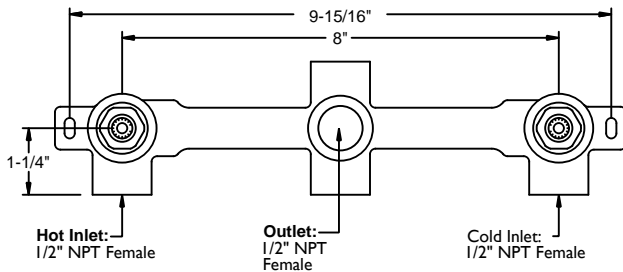
VESSEL LAVATORY

CF-VL-R

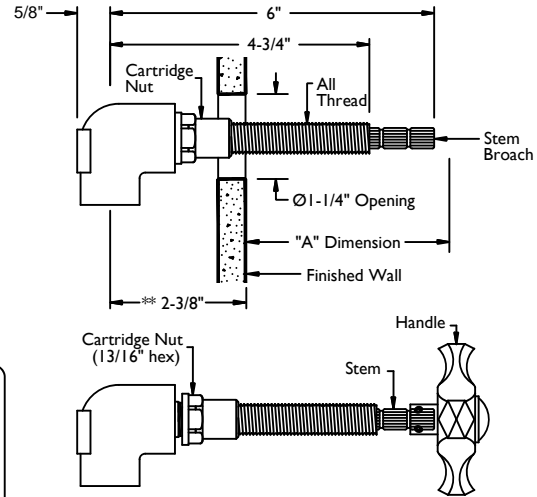
INSTALLATION INSTRUCTIONS

California Faucets reserves the right to make modification and specification changes at any time. Please visit www.calfaucets.com for most current technical data.

Front View



Side View



"A" DIMENSION

"A" Dimension is from finished wall to tip of stem broach

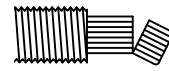
| Handle Series # | "A" |
|-----------------|---------|
| 33 | 2-3/8" |
| 34 | 2-3/8" |
| 35 | 2-3/8" |
| 36 | 2-3/8" |
| 38 | 2-5/8" |
| 42 | 2-5/8" |
| 45 | 2-1/8" |
| 46 | 2-1/2" |
| 47 | 2-1/2" |
| 48 | 2-5/16" |
| 50 | 2-1/4" |
| 51 | 2-1/2" |
| 55 | 2-5/8" |
| 57 | 2" |
| 60 | 2-1/4" |
| 61 | 2-1/4" |
| 62 | 1-7/16" |
| 63 | 3" |
| 64 | 2-5/8" |
| 65 | 2-1/8" |
| 66 | 2-1/8" |
| 67 | 2-1/4" |
| 68 | 2-3/8" |
| 69 | 2-3/8" |
| 70 | 1-3/8" |
| **71 | 1" |
| **72 | 1" |
| **73 | 1" |

NOTE: In some cases, it may be necessary to re-align cartridge Stem to achieve desired handle alignment. To align stem, slightly loosen in a CCW direction the Cartridge Nut. Place Handle on Stem and **TIGHTEN** in a CW direction until desired alignment of handle is achieved. Retighten Cartridge Nut to factory torque setting of 14 ft-lbs. (Cartridge Nut size is 13/16" hex)

WARNING: Cartridge Nut **MUST** be properly torqued to prevent possible failure and/or water damage.

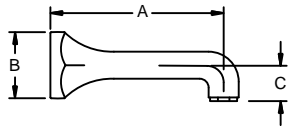
****NOTE:** For Series #71, 72 & 73 valve rough must be set back a minimum of 2-3/8" from finished wall surface to center of inlets.

NOTE: When fitting handle it may be necessary to shorten broach stem and/or all thread to eliminate gap between handle & escutcheon.



VS-47-7 & -9

For Series:
#46, 47, 51, 60 & 63

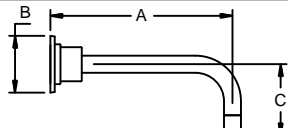


(Connecting nipple not supplied)

| | | | |
|----------|----------|----------|-----------|
| VS-47-7: | A=5-3/4" | B=2-3/4" | C=1-7/8" |
| VS-47-9: | A=8-1/2" | B=2-1/4" | C=1-5/16" |

VS-62-7, -V7, -9 & -V9

For Series:
V6202-7/-V7
V6202-9/-V9

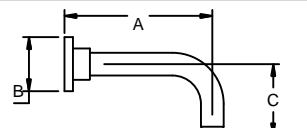


(Connecting nipple not supplied)

| | | | |
|----------|-------|----------|----------|
| VS-62-7: | A=8" | B=2-1/2" | C=3-1/8" |
| VS-62-9: | A=10" | B=2-1/2" | C=3-1/8" |

VS-65-7 & -9

For Series:
#45, 48, 65, 66 & V6202-27/-29

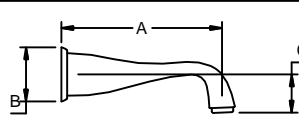


(Connecting nipple not supplied)

| | | | |
|----------|----------|----------|----------|
| VS-65-7: | A=6-1/2" | B=2-3/8" | C=3-1/8" |
| VS-65-9: | A=8-1/2" | B=2-3/8" | C=3-1/8" |

VS-64-7 & -9

For Series:
#38, 40, 42, 55, 57 & 64

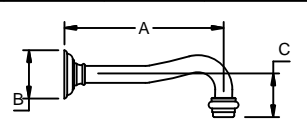


(Connecting nipple not supplied)

| | | | |
|----------|-----------|----------|-----------|
| VS-64-7: | A=7-3/16" | B=2-3/8" | C=1-5/16" |
| VS-64-9: | A=8-3/8" | B=2-3/8" | C=1-5/16" |

VS-67-7 & -9

For Series:
#33, 34, 35, 36, 51 & 67

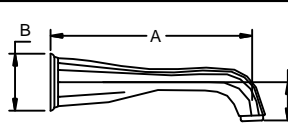


(Connecting nipple not supplied)

| | | | |
|----------|----------|----------|------|
| VS-67-7: | A=6-7/8" | B=2-1/8" | C=2" |
| VS-67-9: | A=10" | B=2-1/8" | C=2" |

VS-68-9

For Series:
#50, 68 & 69

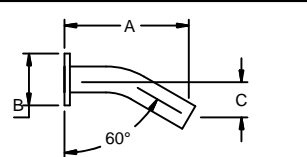


(Connecting nipple not supplied)

| | | | |
|----------|----------|----------|----------|
| VS-68-9: | A=8-3/4" | B=2-3/8" | C=1-5/8" |
|----------|----------|----------|----------|

VS-71**

For Series:
#71

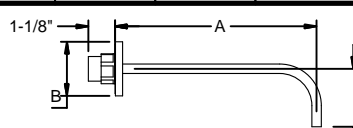


(Connecting nipple not supplied)

| | | | |
|--------|------|------|----------|
| VS-71: | A=5" | B=2" | C=1-3/8" |
|--------|------|------|----------|

VS-72-6 & -9**

For Series:
#72

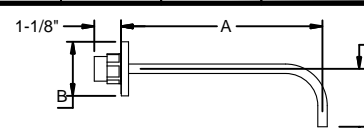


(Connecting nipple not supplied)

| | | | |
|----------|-----------|----------|-----------|
| VS-72-7: | A=6-5/16" | B=2-1/4" | C=2-7/16" |
| VS-72-9: | A=8-5/16" | B=2-1/4" | C=2-7/16" |

VS-73-6 & -9**

For Series:
#73



(Connecting nipple not supplied)

| | | | |
|----------|-----------|----------|-----------|
| VS-73-7: | A=6-5/16" | B=2-1/4" | C=2-7/16" |
| VS-73-9: | A=8-5/16" | B=2-1/4" | C=2-7/16" |

IMPORTANT CLEANING NOTICE Please refer to *Finish Care Instructions* for complete cleaning information. Wipe frequently with a soft, damp cloth. **Never use acids, harsh abrasives or detergents.**



California Faucets®

Descanso®

CF-TO-V3002-7, CF-TO-V3002-9 CF-TO-V3002X-7 & CF-TO-V3002X-9

In-Wall Vessel Lavatory Faucet

CALIFORNIA FAUCETS RECOMMENDS THAT ALL PLUMBING PRODUCTS BE INSTALLED BY A LICENSED PROFESSIONAL

IMPORTANT: Read all instructions prior to installation and provide copy of instructions to consumer.

Operating Specifications:

Recommended Supply Pressure: 20 to 70 psi*†
Maximum Flow Rate: 1.2 gpm

* Operating pressures between hot and cold supplies should vary no more than 30 psi.
† If water pressure exceeds 70 psi, install a Pressure-Reducing Valve (PRV).



INSTALLING SPOUT TO IN-WALL VALVE

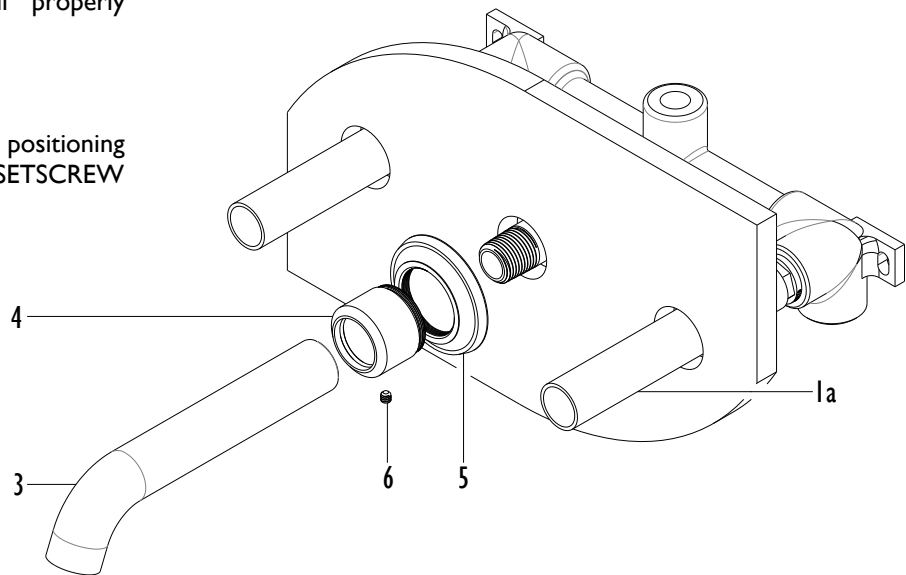
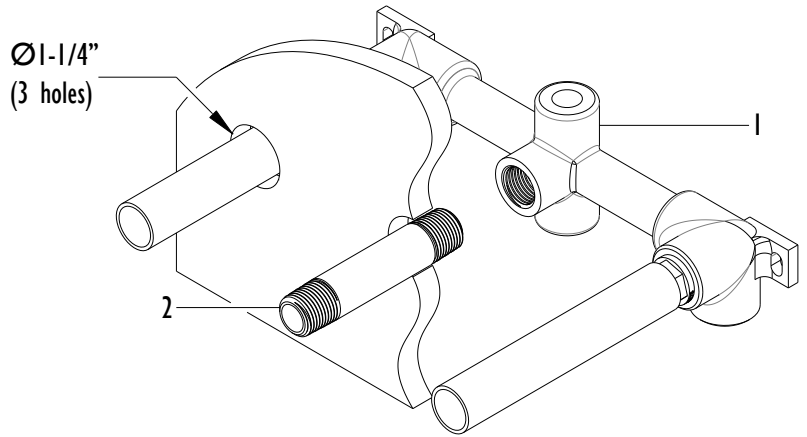
- Prior to installing faucet trim in-wall vessel rough VALVE (1), **CF-VL-R**, must be properly installed and wall surface must be completely finished

NOTE: Recommended through-hole size shall be $\varnothing 1-1/4"$

- Apply thread sealant to both threaded ends of NPT NIPPLE (2), not supplied, and tighten into center outlet of VALVE (1)
- Tighten spout BASE (4) onto spout RING (5), and slide onto SPOUT (3)
- Tighten SPOUT (3) onto NPT NIPPLE (2)
- If SPOUT (3) is not properly aligned when fully tightened, turn counter-clockwise till properly aligned

IMPORTANT: Do not overtighten SPOUT (3)

- Push spout RING (5) firmly against wall, positioning setscrew hole on bottom, and tighten SETSCREW (6)

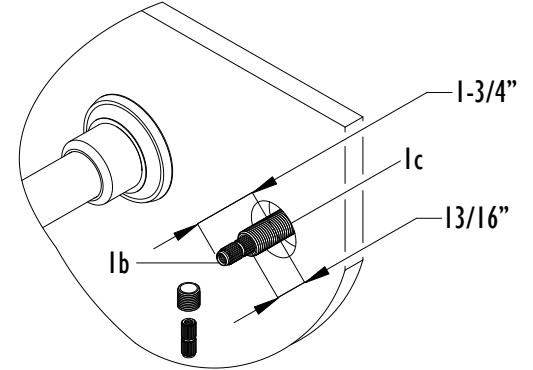
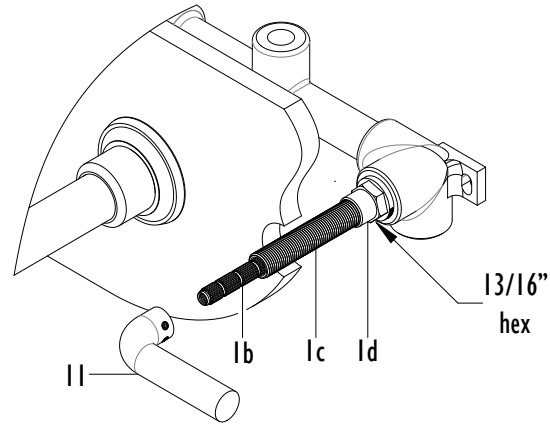


2 ALIGN & TRIM VALVE STEM

- Remove MUDGUARD (1a) from VALVE (1)
- To obtain proper HANDLE (11) alignment it may be necessary to re-align cartridge STEM (1b); to align STEM (1b), slightly loosen the cartridge NUT (1d), place HANDLE (11) on STEM (1b) and **TIGHTEN** in CW direction until desired alignment is achieved; retighten cartridge NUT (1d) to factory torque setting of 14 ft-lbs.

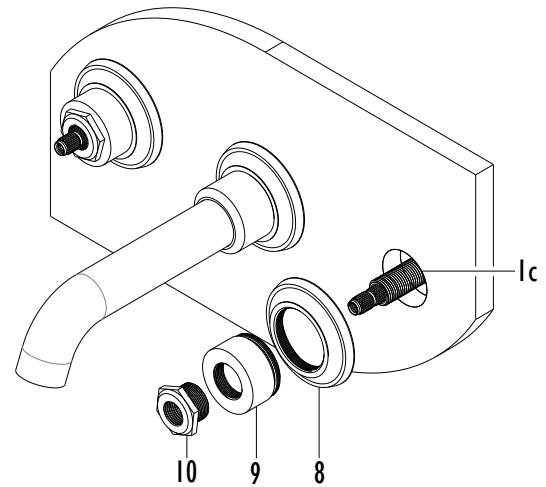
WARNING: Cartridge NUT (1d) **MUST** be properly torqued to prevent possible failure and/or water damage

- Using a marking device (e.g. pencil or marker) indicate a distance of 13/16" from finished wall on ALL-THREAD (1c); unscrew ALL-THREAD (1c) from valve STEM (1b)
- Cut STEM (1b) 1-3/4" from finished wall surface
- Cut off excess ALL-THREAD (1c) at indicated mark and reattach ALL-THREAD (1c) onto valve STEM (1b) – repeat on other side



3 INSTALLING ESCUTCHEON

- Tighten handle RING (8) and decorative NUT (10) onto handle RISER (9)
- Secure escutcheon onto wall by tightening decorative NUT (10) onto ALL-THREAD (1c)



4 INSTALLING HANDLE

- Loosen both SETSCREW (11b)
- Slide HANDLE (11) down onto and engage valve STEM (1b) leaving a space of 1/32" between handle and decorative NUT (10)
- Tighten both SETSCREW (11b)
- Turn on water supply and check for leaks

