

California Faucets®

Decorative Grab Bar

KNURLED END WITH CONCAVE BASE

Features

- All brass construction
- 1-1/4" diameter bar
- Concealed mounting
- Mounting hardware included

- 9412D-30K
- 9418D-30K
- 9424D-30K
- 9430D-30K
- 9436D-30K
- 9442D-30K
- 9448D-30K

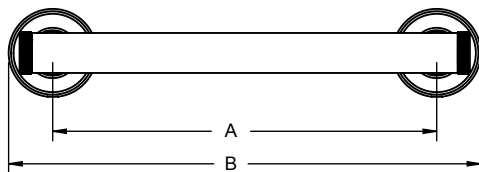


9418D-30K SHOWN

Codes/Standards Applicable

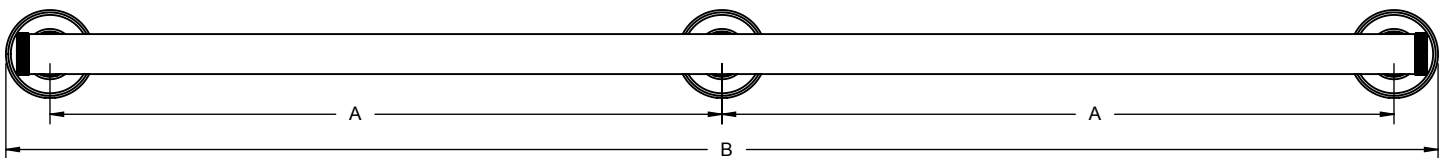
Product meets or exceeds the following:

- ADA compliant

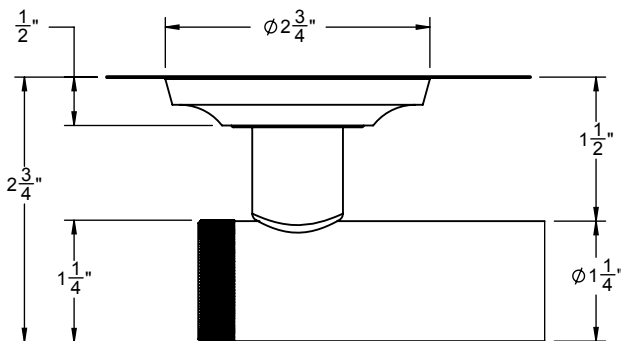


FRONT VIEW
(2 POST)

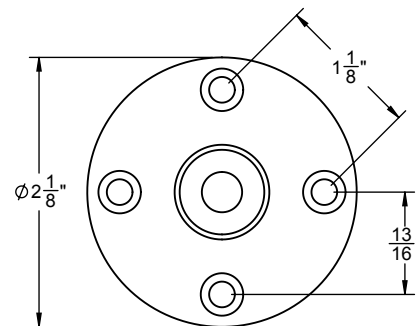
	DECORATIVE GRAB BAR	DIM. A	DIM. B
2 POST	9412D-30K	12"	14 ¹³ / ₁₆ "
	9418D-30K	18"	20 ¹³ / ₁₆ "
	9424D-30K	24"	26 ¹³ / ₁₆ "
	9430D-30K	30"	32 ¹³ / ₁₆ "
	9436D-30K	36"	38 ¹³ / ₁₆ "
3 POST	9442D-30K	21"	44 ¹³ / ₁₆ "
	9448D-30K	24"	50 ¹³ / ₁₆ "



FRONT VIEW
(3 POST)



TOP VIEW



WALL MOUNT FLANGE

- (8X) - 2 POST GRAB BAR
#8 X 1-3/4" PHILLIPS HEAD SCREW
- (12X) - 3 POST GRAB BAR
#8 X 1-3/4" PHILLIPS HEAD SCREW

SPECIFICATIONS SUBJECT TO CHANGE WITHOUT NOTICE

ALL DIMENSIONS SHOWN TO NEAREST 1/16"

94XXD-30K 94XXD-33 94XXD-34
 94XXD-45 94XXD-47 94XXD-48
 94XXD-64 94XXD-65 94XXD-77 94XXD-85
**Decorative Grab Bar
 Installation Instructions**

CALIFORNIA FAUCETS RECOMMENDS THAT ALL PLUMBING PRODUCTS BE INSTALLED BY A LICENSED PROFESSIONAL

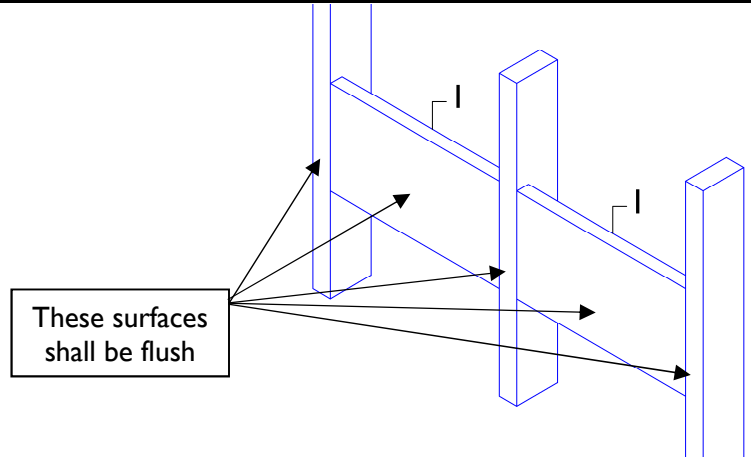
IMPORTANT: Read all instructions prior to installation and provide copy of instructions to consumer.

9412D-65 Shown Below

1 PREPARING WALL FOR GRAB BAR

Important: It is the **RESPONSIBILITY** of the **INSTALLER** to provide a proper cross **BRACE (1)** to provide adequate support for the Grab Bar.

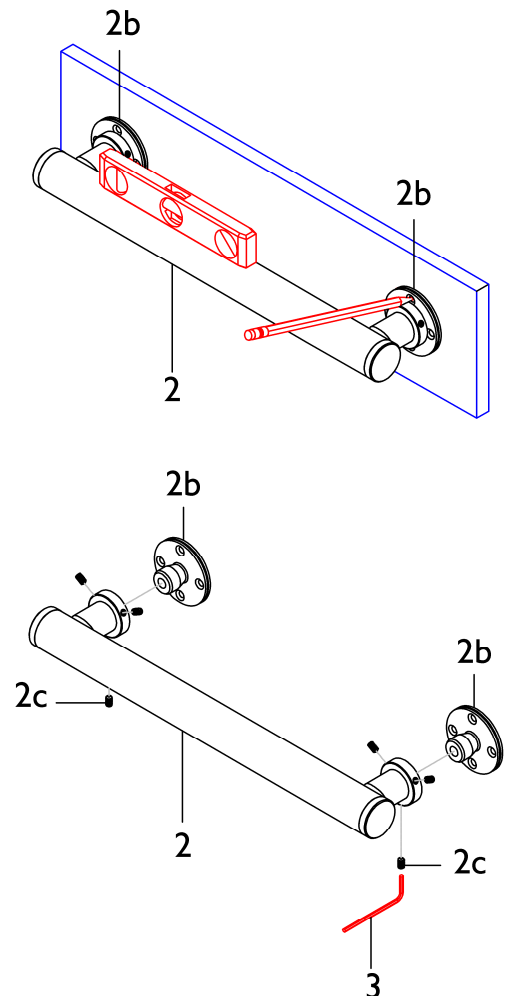
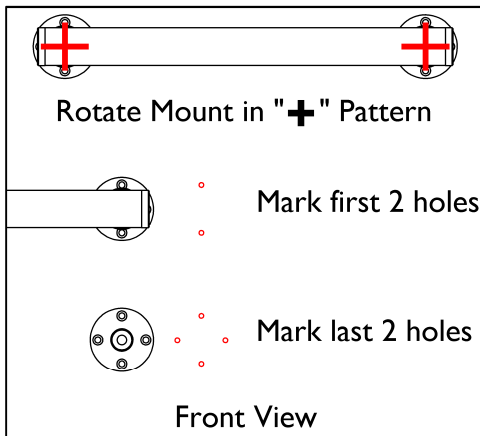
- Securely mount a suitable cross **BRACE (1)** with the front surface flush between studs in wall to provide proper support for grab bar
- Take note of where the **BRACE (1)** is mounted once the tile or drywall are in place.



2 POSITIONING GRAB BAR

Important: Grab **BAR (2)** must be installed on finished wall (e.g. tile or drywall).

- Wall **MOUNT (2b)** holes must be rotated in plus pattern "+" on grab **BAR (2)**
- Ensure grab **BAR (2)** is positioned over cross **BRACE (1)** or studs
- Place the grab **BAR (2)** to its desired location on the finished wall, using a level as necessary
- Mark the first 2 visible holes when viewing from the front
- Use the hex **KEY (3)** and loosen the **SETSCREW (2c)** to remove the wall **MOUNT (2b)** from the grab **BAR (2)**
- Line up the first 2 marked holes for each wall **MOUNT (2b)** and mark the last 2 holes



3

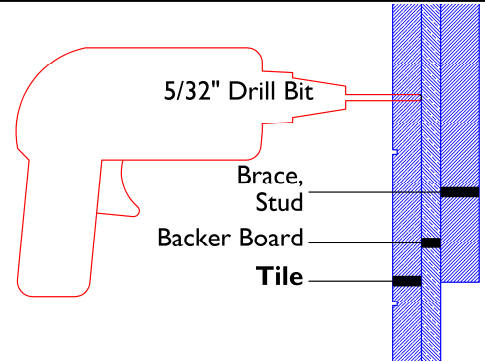
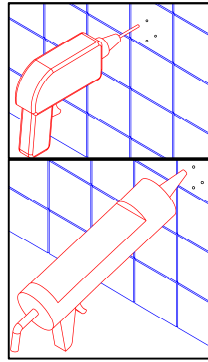
DRILLING HOLES

Note: Based on finished wall surface (e.g. tile or drywall) there are different options for attaching the wall MOUNT (2b) to the wall.

Tile Surface

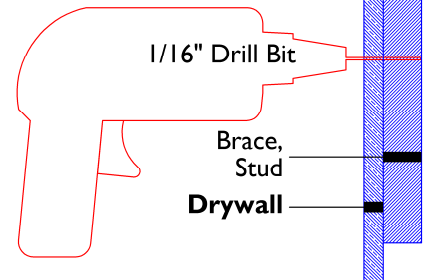
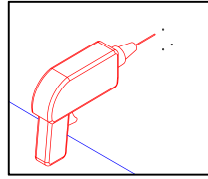
- Using 5/32" drill bit, drill through the tile and apply silicone sealant into the drilled holes

Important: Only drill through the tile depth and not into the cross BRACE (1) or stud.



Drywall Surface (thickness 1/2" max)

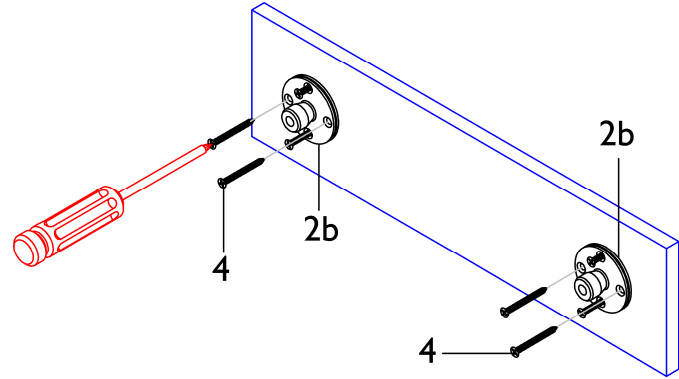
- Using 1/16" drill bit, drill to a depth of 1 1/2" into drywall and cross BRACE (1)



4

INSTALLING WALL MOUNT

- Place and align each wall MOUNT (2b) with the drilled holes from Step 3
- Secure each wall MOUNT (2b) with the supplied #8 SCREW (4) onto the wall



5

GRAB BAR INSTALLATION

- Carefully slide the base RING (2a) back onto the grab BAR (2)
- Slide the grab BAR (2) onto the wall MOUNT (2b) and secure each SETSCREW (2c) with the hex KEY (3)
- Evenly press the base RING (2a) onto the wall MOUNT (2b)

IMPORTANT: Ensure the orientation of the slot on the back of the base ring is pointing down.

