



California Faucets®

Descanso®

WIDESPREAD LAVATORY FAUCET

Features

- Over 28 finishes including 13 PVD finishes
- All brass construction
- 5-7/16" spout center to center
- 1/4 turn ceramic disc cartridge(s)
- Flexible braided hoses for ease of installation
- Ø 1-1/4" all brass touch style pop up drain assembly
- 1.2 gpm (4.5 L/min) max flow rate

Codes/Standards

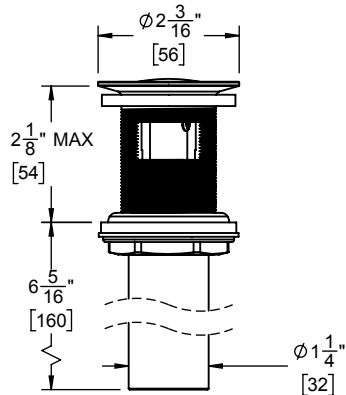
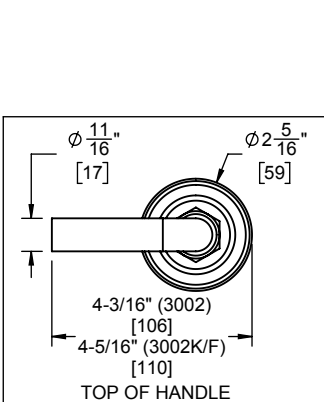
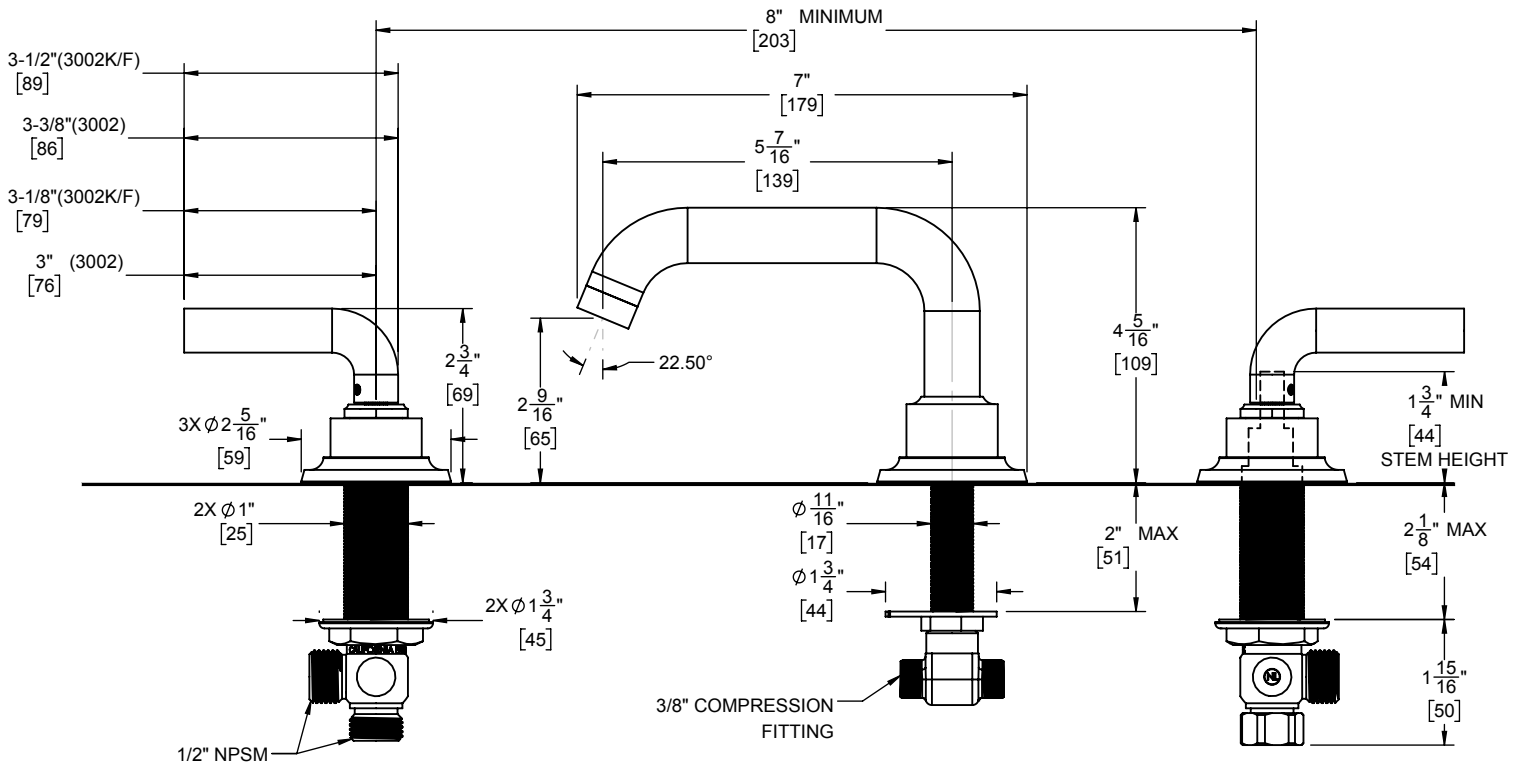
Product meets or exceeds the following:

- ASME A112.18.1/CSA B125.1
- NSF/ANSI 61 & NSF/ANSI 372
- CEC / DOE
- EPA WaterSense High Efficiency Lavatory
- Commonwealth of MA
- ADA compliant

**3002
3002K
3002F**



3002K



THROUGH-HOLE SPECIFICATIONS		
MIN	RECOMENDED	MAX
SPOUT: Ø 1" [25]	Ø 1-3/8" [35]	Ø 1-1/2" [38]
VALVE: Ø 1" [25]	Ø 1-3/8" [35]	Ø 1-1/2" [38]

DIMENSIONS SHOWN TO NEAREST 1/16"
[DIMENSIONS SHOWN TO NEAREST 1mm]

SPECIFICATIONS SUBJECT TO CHANGE WITHOUT NOTICE

Widespread Lavatory Faucet Installation Instructions

CALIFORNIA FAUCETS RECOMMENDS THAT ALL PLUMBING PRODUCTS BE INSTALLED BY A LICENSED PROFESSIONAL

IMPORTANT: Read all instructions prior to installation and provide copy of instructions to consumer.

Operating Specifications:

Recommended Supply Pressure: 20 to 70 psi*†

Maximum Flow Rate: 1.2 gpm

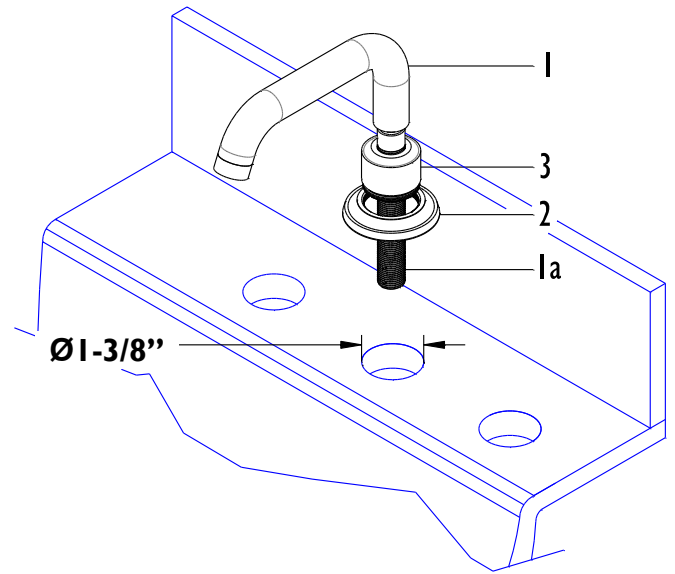
* Operating pressures between hot and cold supplies should vary no more than 30 psi.

† If water pressure exceeds 70 psi, install a Pressure-Reducing Valve (PRV).

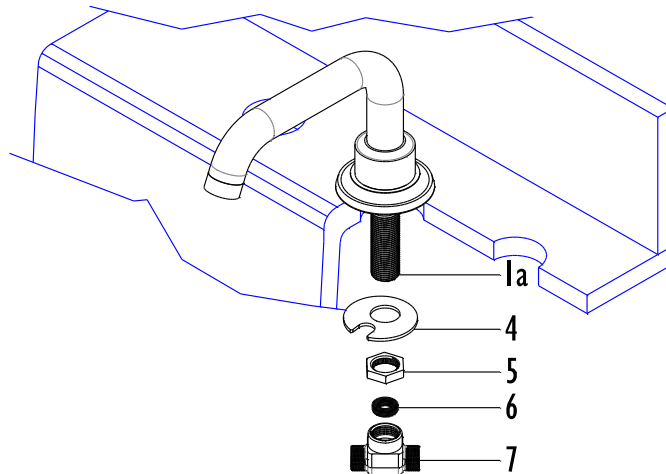


INSTALLING SPOUT TO SINK/DECK

- Sink/Deck recommended hole size shall be $\text{Ø}1\text{-}3/8''$
- Attach RING (2) onto BASE (3) and slide onto spout SHANK (1a)
- Insert spout SHANK (1a) through sink/deck hole
- From underside, place SLOTTED WASHER (4) onto spout SHANK (1a) and tighten SPOUT (1) into place with NUT (5)
- Insert RUBBER WASHER (6) into TEE (7) and attach to spout SHANK (1a)



IMPORTANT: TEE (7) should be tightened to create watertight seal and positioned to allow ease of attachment of valve hoses



2

INSTALLING VALVE

- From underneath insert VALVE (10) through appropriate sink/deck hole

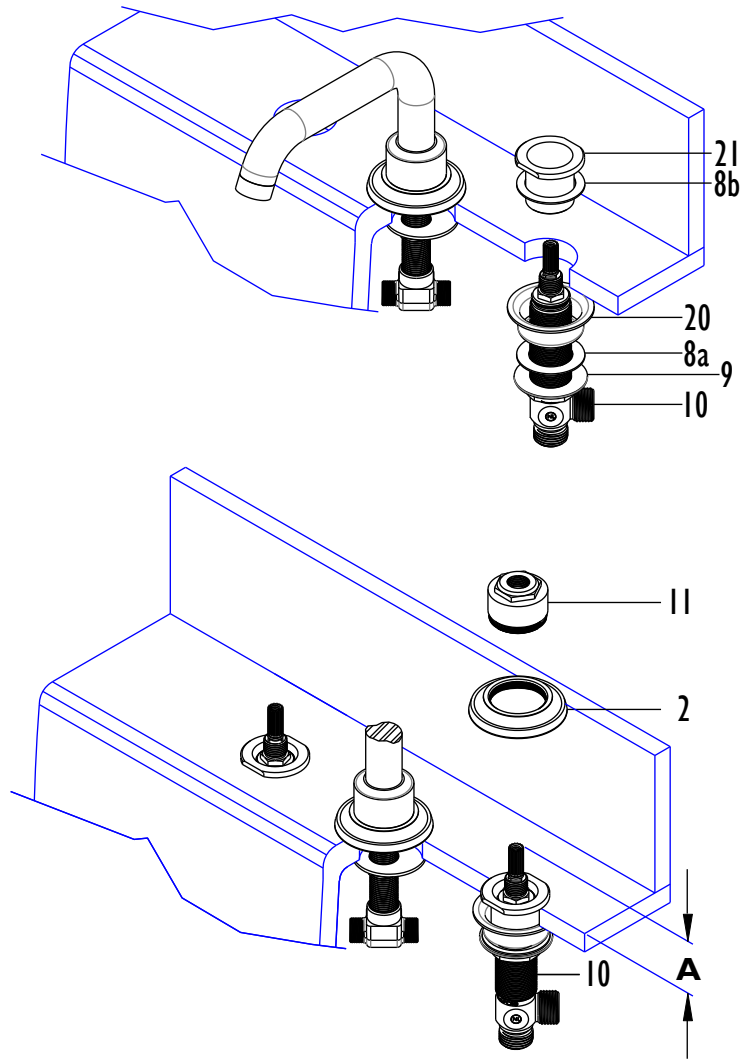
IMPORTANT: VALVES (10) are labeled as follows:

BLUE is **COLD** left turning (counter-clockwise) closed

RED is **HOT** right-turning (clockwise) closed

- Position flange NUT (9), WASHER (8a), & cup SPACER (20) so that VALVE (10) extends above sink/deck surface according to table below
- Secure VALVE (10) with Inverted NUT (21) and WASHER (8b)
- Attach RING (2) onto ESCUTCHEON (11)
- Place ESCUTCHEON (11) onto VALVE (10) and secure to sink/deck surface

Series	A
30/31	1-3/4"
30X/31X	1-3/4"
30W/31W	1-5/8"

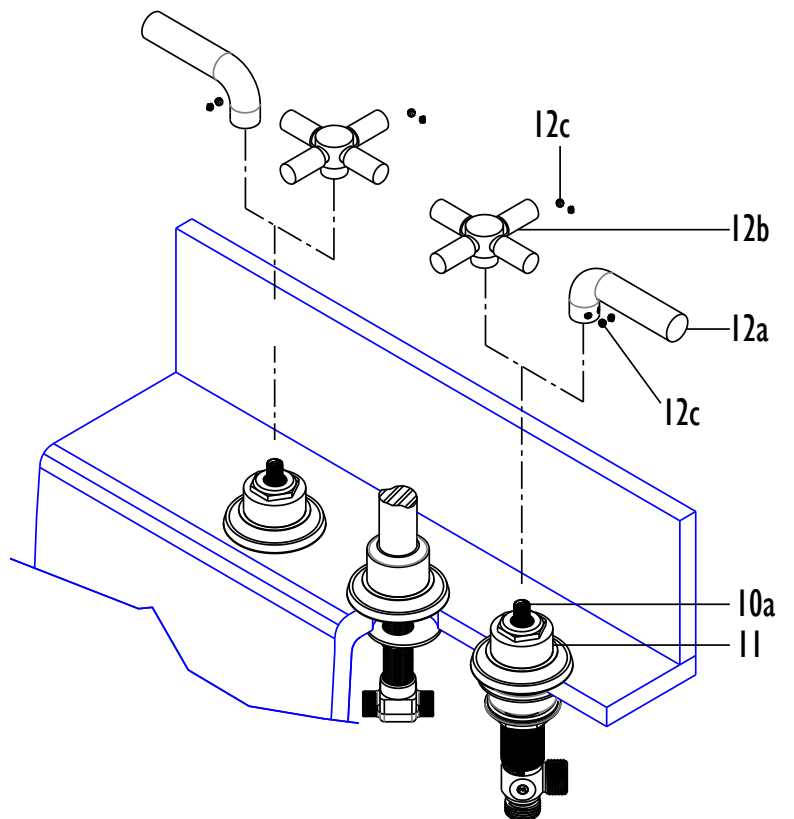


3

INSTALLING HANDLE

- Loosen SETSCREW (12c) from HANDLE (12a or 12b)
- Slide HANDLE (12) down onto and engage valve STEM (10a)
- Allow a minimum gap (1/32") between HANDLE (12) and ESCUTCHEON (11), tighten SETSCREW (12c)

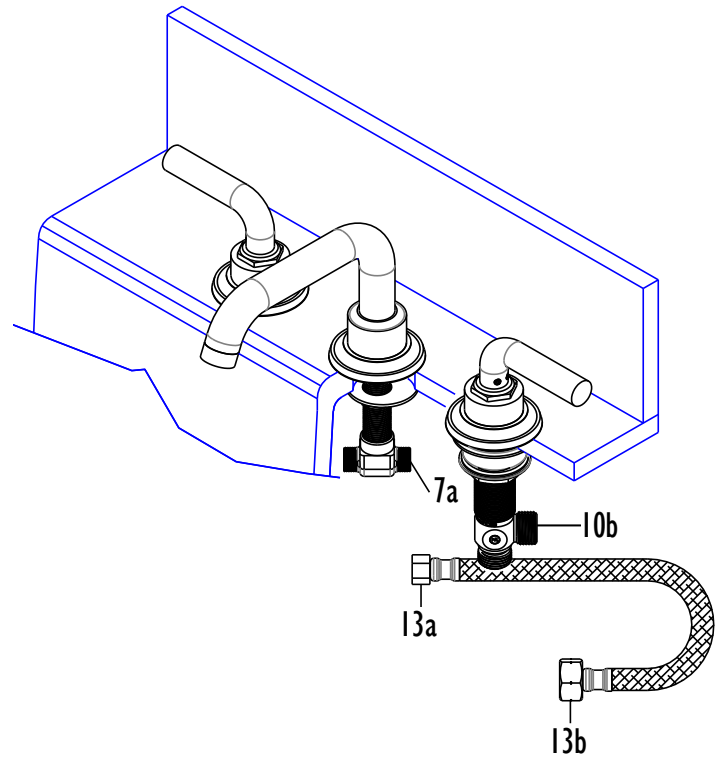
IMPORTANT: To obtain proper alignment it may be necessary to rotate VALVE (10) so that HANDLE (12) is aligned to desired orientation



4

INSTALLING VALVE HOSES

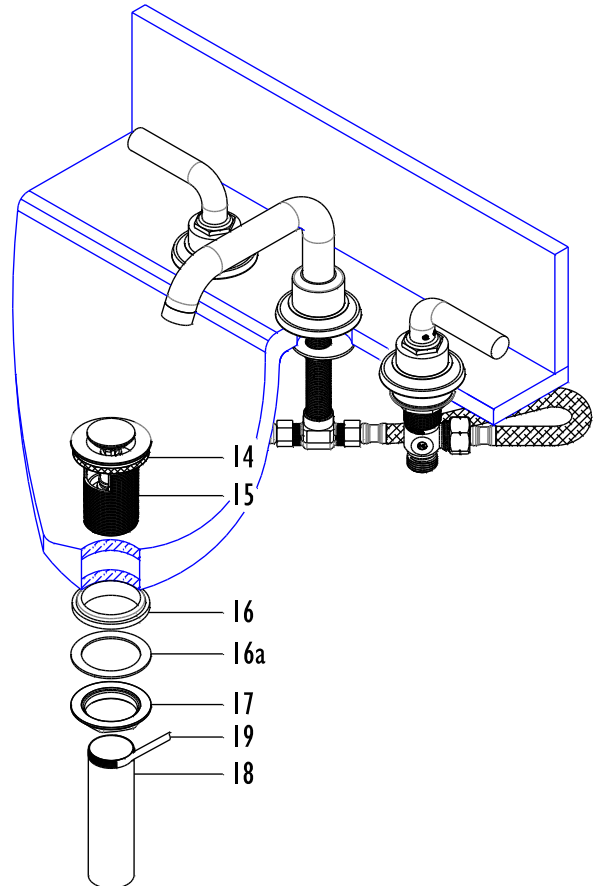
- Attach small hose NUT (13a) to spout TEE (7a)
- Attach large hose NUT (13b) to valve side OUTLET (10b)
- Repeat on other side valve



5

INSTALLING DRAIN

- Slide white foam WASHER (14) up under flange of BODY (15)
- or -
- Apply thin film of Silicon[®] sealant (or equivalent – DO NOT use petroleum-based sealant as this WILL void finish warranty) to underside of flange on BODY (15)
- Insert BODY (15) down through sink drain hole
- From underside, slide MACH-WASHER (16) and FRICTION-WASHER (16a) up onto BODY (15)
- Secure BODY (15) into place with flange NUT (17)
- Apply Teflon[®] tape (19) (not supplied) to threaded portion of TAILPIECE (18) & tighten onto BODY (15)



IMPORTANT: Prior to attachment, flush supply lines to remove debris that may cause damage or malfunction to valve cartridge.

The following are two types of supply lines (not included) that may be installed to the valve bodies:

Ballnose riser for exposed application

- Install BALLNOSE RISER (20a) using valve NUT (10c) to secure riser to valve INLET (10b)

Flexible riser for non-exposed application

- Discard valve NUT (10c) & install FLEX RISER (20b) to valve INLET (10b)

Final connections

- Attach drain tailpiece to p-trap (not supplied)
- Turn on water supply valves & check for leaks

