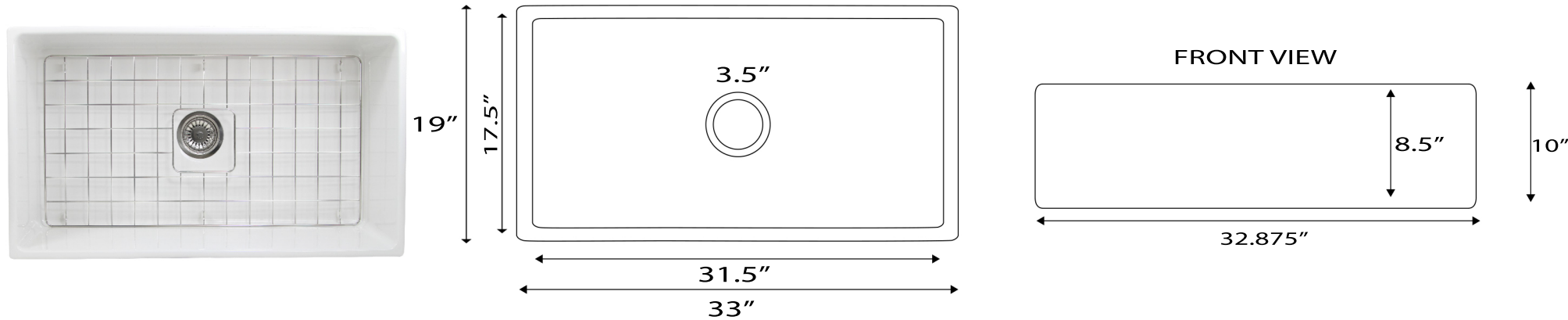


Cape Collection
Premium Fireclay Farmhouse Apron Sink



MODEL:
T-FCFS33



Overall Dimensions	Large Bowl	Apron Height	Bowl Depth	Drain Dimensions
33" x 19"	31.5" x 17.5"	10"	8.625"	3.5" Opening

FEATURES:

- Custom cabinet base required - Heavy 2 person lift recommended
- Fireclay is hygienic with a glazed surface that inhibits bacterial growth better than stainless steel
- Includes bottom grid and drain
- Due to firing process, shrinking will occur. Nominal dimensions may vary by .25"
- Limited manufacturer's warranty
- Professional installation recommended

PROJECT/ NAME:

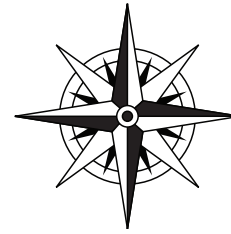
ARCHITECT/CONTRACTOR:

MODEL:

JOB NOTES:

Cape Collection

Premium Fireclay Farmhouse Apron Kitchen Sink



Nantucket

S I N K S

model:

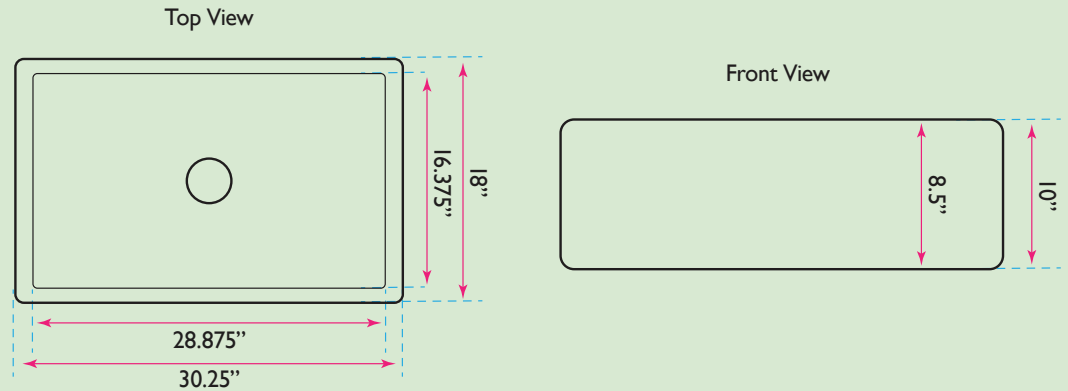
T-FCFS30

www.NantucketSinksUSA.com

info@nantucketsinksusa.com



SPECS



OVERALL DIMENSIONS	INTERIOR BOWL	APRON HEIGHT	INTERIOR BOWL DEPTH	DRAIN DIMENSIONS
30.25" x 18"	28.875" x 16.375"	10"	8.5"	3.5" Standard Opening

FEATURES:

- Custom cabinet base required - Heavy 2 person lift recommended
- Fireclay is hygienic with a glazed surface that inhibits bacterial growth better than stainless steel
- Includes bottom grid and drain
- Due to firing process, shrinking will occur - Nominal dimensions may vary by .25"
- Limited warranty
- Professional installation recommended
- Template not included
- Made in Turkey
- Corner Radius: Outside 35mm/Inside 16mm
- 1/4" taper from top edge to bottom of sink

Project Name: _____

Architect / Contractor: _____

Job Notes: _____

INSTALLATION GUIDE

FARMHOUSE APRON



Required Tools



STOP ATTENTION (PLEASE READ)

This product requires professional installation and custom cabinetry. This product can not be installed in a normal sink base cabinet without radical customization. A custom sink base is recommended and can be ordered from your kitchen design specialist.

Please observe all state and local building and plumbing codes.

NO TEMPLATE INCLUDED

A cutout template is not provided with apron sinks, due to the varied cutout sizes that are possible based on your preferences. Use the actual sink to determine the location of the cutout.

WARNING

Before installation, please inspect your product for any damage that may have occurred during shipping. If the product was damaged in the shipping process or your product needs to be returned for another reason, it must be in the original packaging. If the product is not returned with the original packaging you may not be eligible for a refund of the purchase price. Return fees may apply. Please contact your dealer for more information.

NEW INSTALLATION

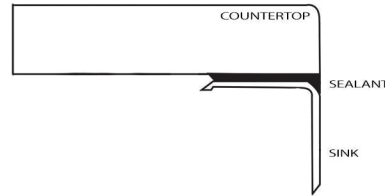
When preparing for installation, it is recommended that you consult with your countertop fabricator as to your installation preference. When the fabricator is preparing the template for installation, a 1/4" overhang is recommended to provide a clean transition from countertop to sink. The overhang will hide any sign of the silicone adhesive.

INSTALLATION PREFERENCE

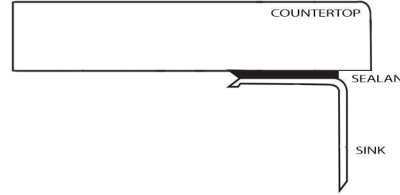
FLUSH MOUNT: The countertop is flush with the sink.

OVERHANG: The countertop is positioned over the the sink bowl by a set amount. (Typically 1/8" to 1/4")

FLUSH



OVERHANG



Step: 1

APRON CABINET PREP

Measure the actual size of the sink being installed to determine cabinet opening dimensions and support frame location. The cabinet opening should equal the maximum dimensions of the sink to ensure a minimum gap between the sink apron and the cabinet. Please be advised that the apron has finished sides to allow for the apron to overhang the front fascia of the cabinet. The overhang measurement is to customer preference.

To prepare the cabinet, create a support frame inside the base that the sink will sit upon. Use 2x4 solid wood studs to create the support frame. The frame should be strong enough to hold up to 300 lbs of weight once installed. The support frame should be positioned so that the top of the sink rim is level and flush with the surface of the cabinet perimeter. Make sure that the support frame leaves room for the drains, faucet water lines, and if there is one, a garbage disposal.

See diagram (A) for details

Step: 2

FINE MEASURING

After the installation location preferences have been determined. It will be necessary to custom scribe the apron cabinet sides or if needed, to add wood filler strips.

BE ADVISED,

FIRECLAY APRONS HAVE NOMINAL DIMENSIONS. THE APRON WILL HAVE UP TO A 1/4" TAPER. WHEN MEASURING, BE AWARE THAT THE APRON RIM MEASUREMENT IS LONGER THAN THE BASE. **STAINLESS STEEL APRONS** HAVE NOMINAL DIMENSIONS AND HAVE THE RISK OF BEING SCRATCHED IN THE INSTALLATION PROCESS.

SINK MOUNTING

Place a thin layer of sealant on the supporting frame where it will come in contact with the sink. Gently position the sink on the frame. Make sure the sink sits level and sturdy on the frame. Check that the top surface of the sink is level and flush with the top of the cabinet rim. Be sure that there is adequate space behind the sink for any faucet, accessories, and backsplash. **Diagram (B)**

Step: 3

FABRICATION

Trace the cut-out opening on the countertop. Cut out the opening in the countertop. Use an orbital sander to smooth the edge of the cut out area and remove all saw marks. If cabinets are laminate, any exposed unfinished cut outs must be sealed to prevent water damage. **If using a countertop fabricator, they will make an appropriate template. They will then fabricate and install the countertop.**

INSTALLATION

Clean the rim of the sink and the underside of the countertop where the sink will contact the rim of the sink. Apply a generous bead of sealant around the sink rim.

COUNTERTOP

Gently position the countertop on the sink. Ensure that the sealant provides a complete seal between the countertop and sink. Wipe off any excess sealant using a wet cloth. Apply extra sealant where there are any gaps. **Diagram (D)**

APRON INSTALLATION DIAGRAMS

